

RIVERPLACE 2ND ADDITION

DETAILS

ELK RIVER, MINNESOTA

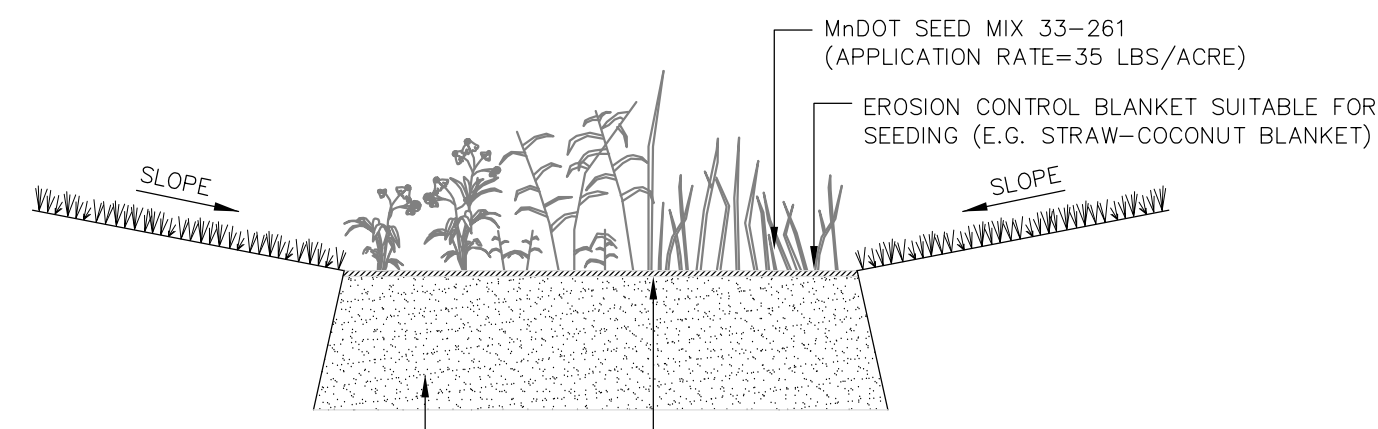
-- PREPARED FOR --
G & G ENTERPRISES, LLC



Know what's below.
Call before you dig.

ADDITIONAL NOTES FOR INFILTRATION AREAS:

1. USE LOW-IMPACT, EARTH MOVING EQUIPMENT (WIDE TRACK OR MARSH TRACK EQUIPMENT, OR LIGHT-EQUIPMENT WITH TURF-TYPE TIRES.)
2. FINAL GRADE ONLY UPON STABILIZATION OF UPSTREAM AREAS.
3. INFILTRATION AREA TO REMAIN UNLINED.
4. PROTECT INFILTRATION AREA FROM RUN-OFF DURING CONSTRUCTION ACTIVITIES. EXCAVATE TO FINAL GRADE ONLY UPON STABILIZATION OF CONTRIBUTING DRAINAGE AREAS.

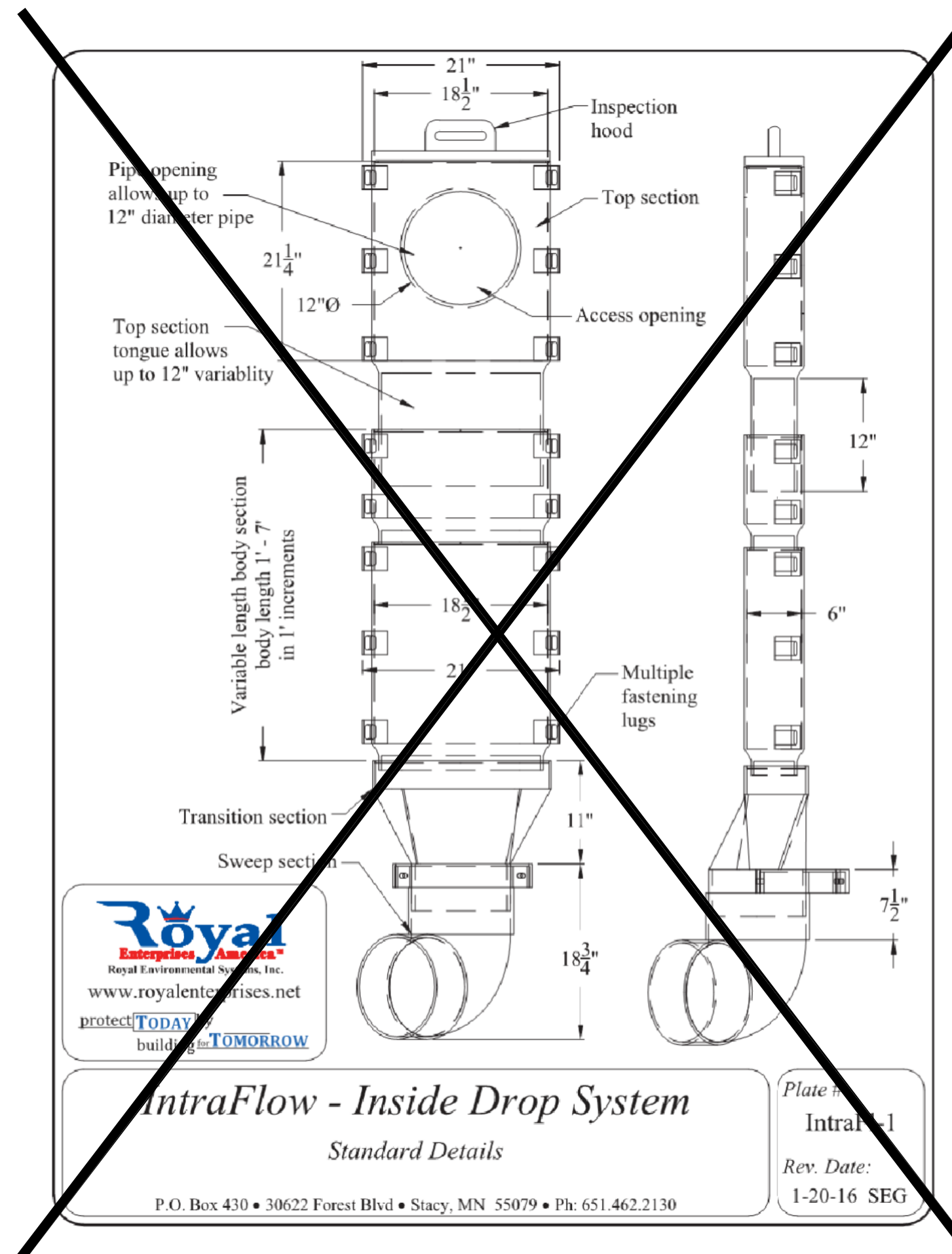


** IN-SITU SOILS

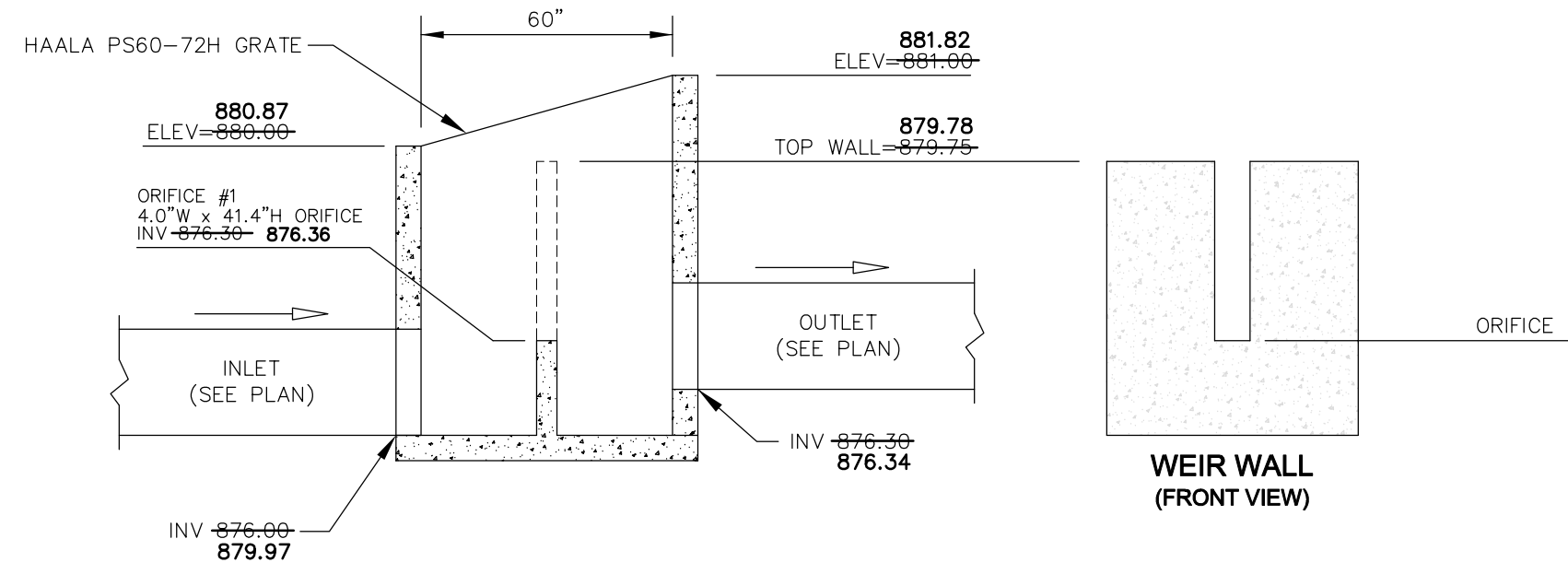
NOTE: MIX IN SALVAGED ON-SITE TOPSOIL INTO TOP 6" (MAX.) OF INFILTRATION AREA

** ALLEVIATE ANY COMPACTED SOILS (BY USING A PRIMARY TILLING OPERATION SUCH AS A CHISEL PLOW, RIPPER OR SUBSOILER) TO 6" MIN. DEPTH PRIOR TO PLACING MEDIA

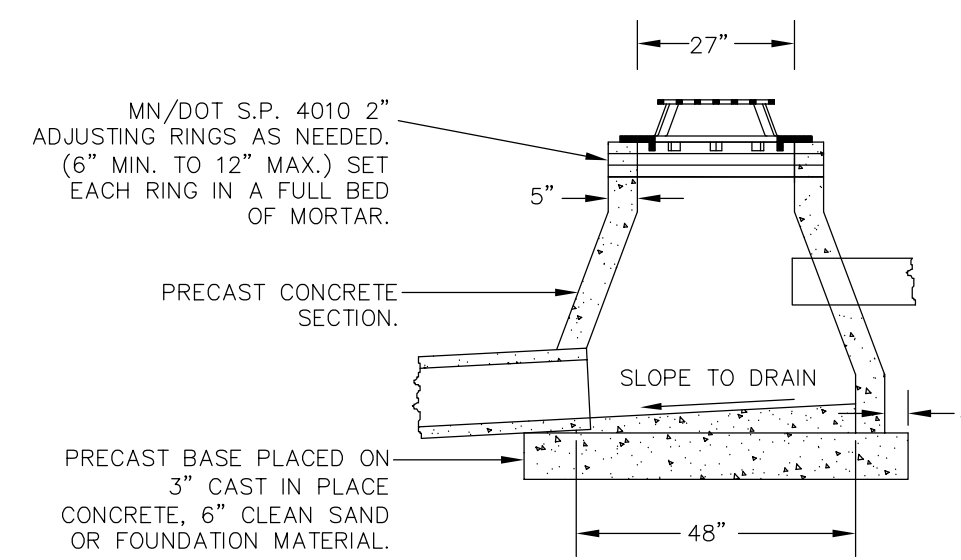
INFILTRATION AREA NOTES:
1) NO MINING OF SANDY SOILS IN INFILTRATION AREA
2) NO BURYING OF MATERIALS IN INFILTRATION AREA
3) DO NO OVER-EXCAVATE INFILTRATION AREA



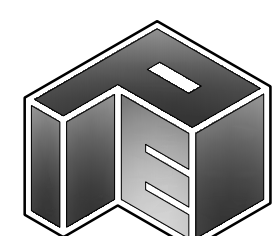
1 INFILTRATION AREAS
C4.1 N.T.S.



2 CBMH #504
INFILTRATION BASIN #1 OCS
C4.1 N.T.S.



3 MN/DOT SP 4006 DESIGN G
C4.1 N.T.S.



PLOWE
ENGINEERING, INC.
6776 LAKE DRIVE
SUITE 110
LINO LAKES, MN 55014
PHONE: (651) 361-8210
FAX: (651) 361-8701

SITE PLANNING & ENGINEERING

RIVERPLACE SECOND ADDITION
ELK RIVER, MINNESOTA
DETAILS

I HEREBY CERTIFY THAT THIS PLAN WAS PREPARED BY ME OR UNDER MY DIRECT SUPERVISION AND THAT I AM A DULY LICENSED PROFESSIONAL ENGINEER UNDER THE LAWS OF THE STATE OF MINNESOTA.

Adam Sinkel
ADAM SINKEL
DATE: 07.29.2020 LIC. NO. 43963

DATE	REVISION DESCRIPTION
3-21-18	CITY REVIEW COMMENTS
7-11-19	FINAL PLANS
7-29-20	RECORD DRAWINGS

DRAWN BY: A.G.
DESIGN BY: A.G.
CHKD BY: C.W.P.
PROJ. NO. 18-1747

C4.1