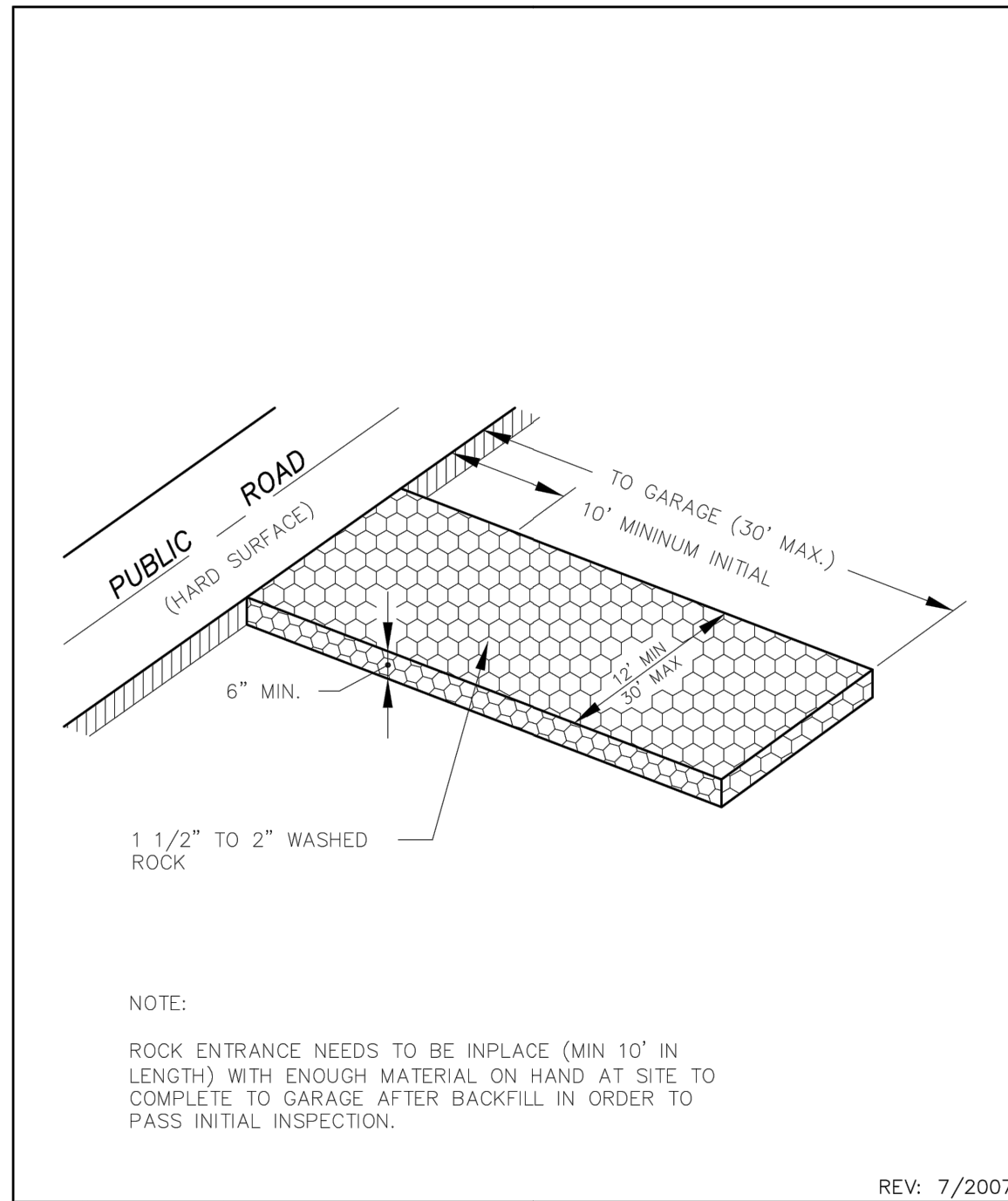


# RECORD DRAWING



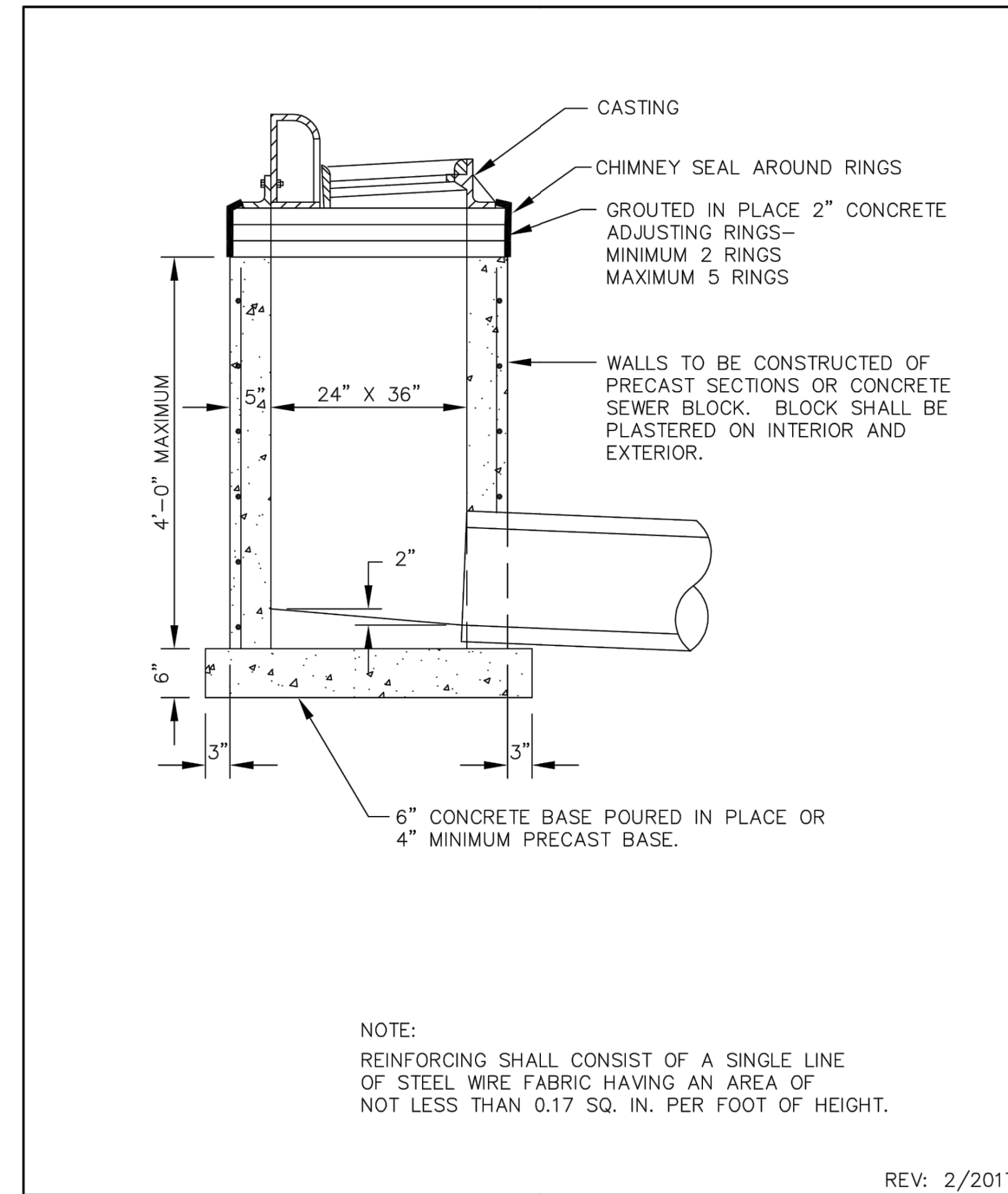
NOTE:  
ROCK ENTRANCE NEEDS TO BE IN PLACE (MIN 10' IN LENGTH) WITH ENOUGH MATERIAL ON HAND AT SITE TO COMPLETE TO GARAGE AFTER BACKFILL IN ORDER TO PASS INITIAL INSPECTION.

REV: 7/2007



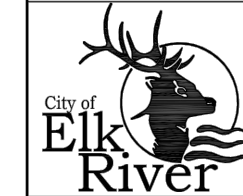
ROCK CONSTRUCTION ENTRANCE  
BUILDING PERMIT

STANDARD  
PLATE  
NO.  
2015



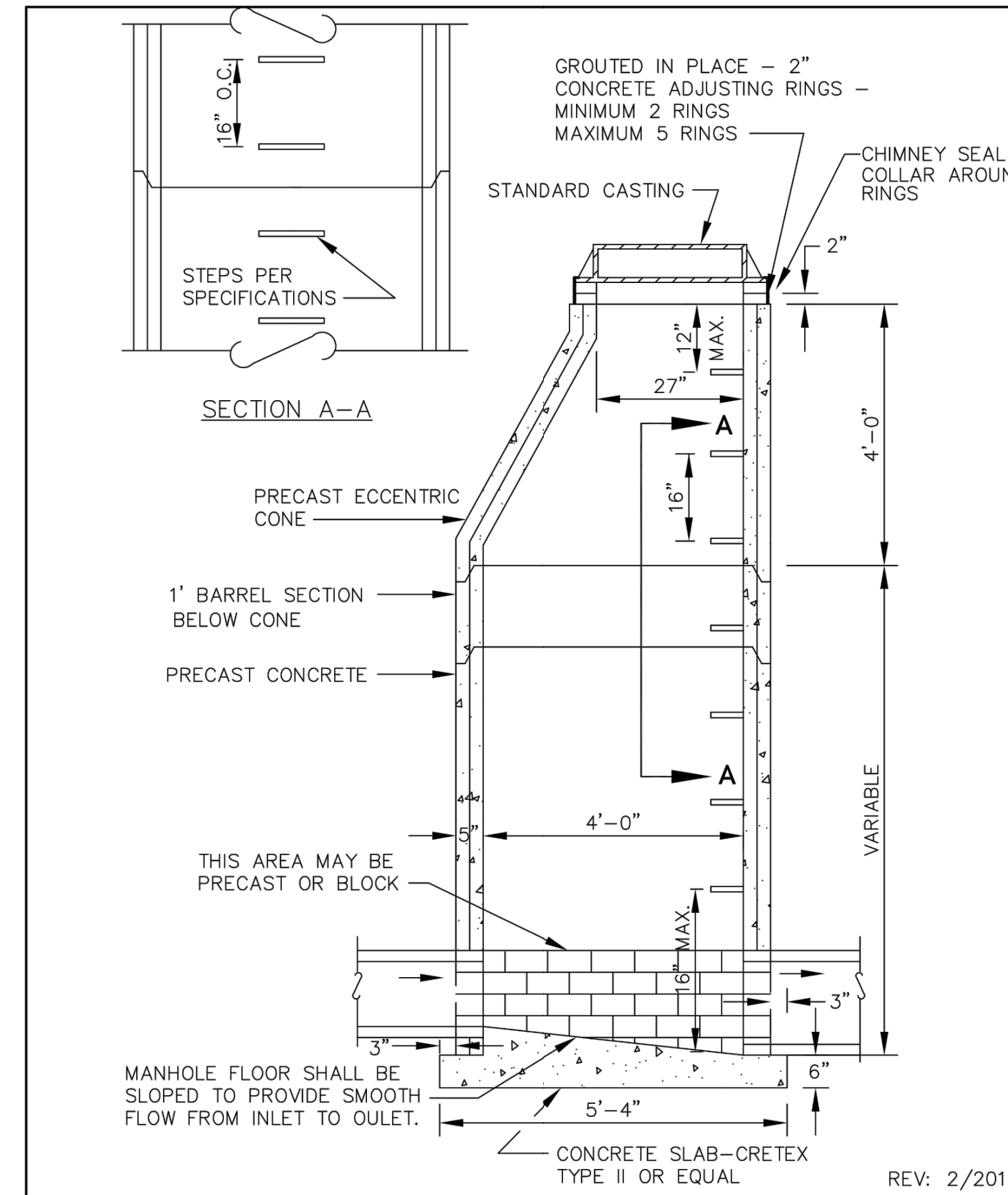
NOTE:  
REINFORCING SHALL CONSIST OF A SINGLE LINE OF STEEL WIRE FABRIC HAVING AN AREA OF NOT LESS THAN 0.17 SQ. IN. PER FOOT OF HEIGHT.

REV: 2/2017



SHALLOW CATCH BASIN

STANDARD  
PLATE  
NO.  
2500

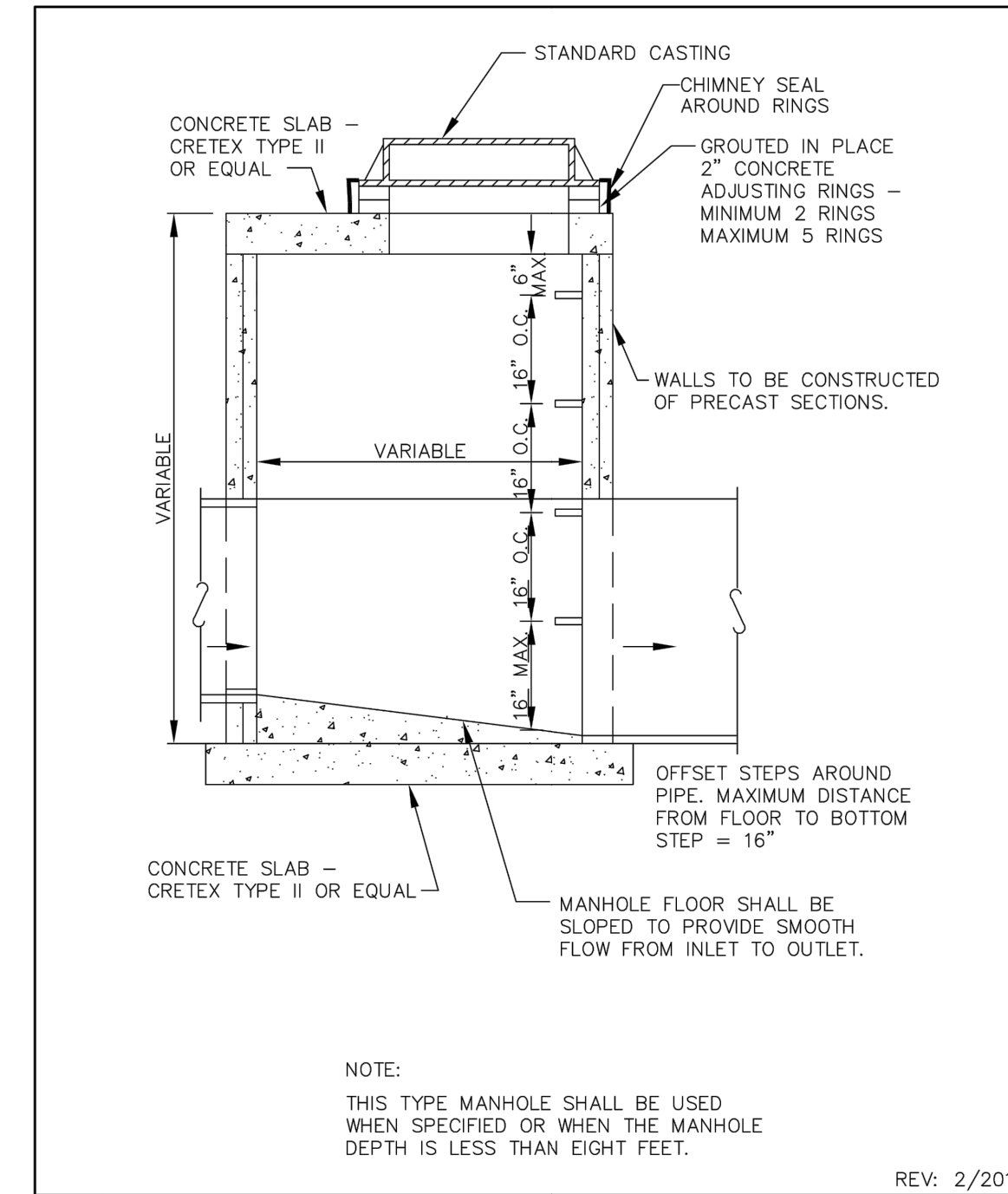


REV: 2/2017



STANDARD MANHOLE

STANDARD  
PLATE  
NO.  
2501



REV: 2/2017



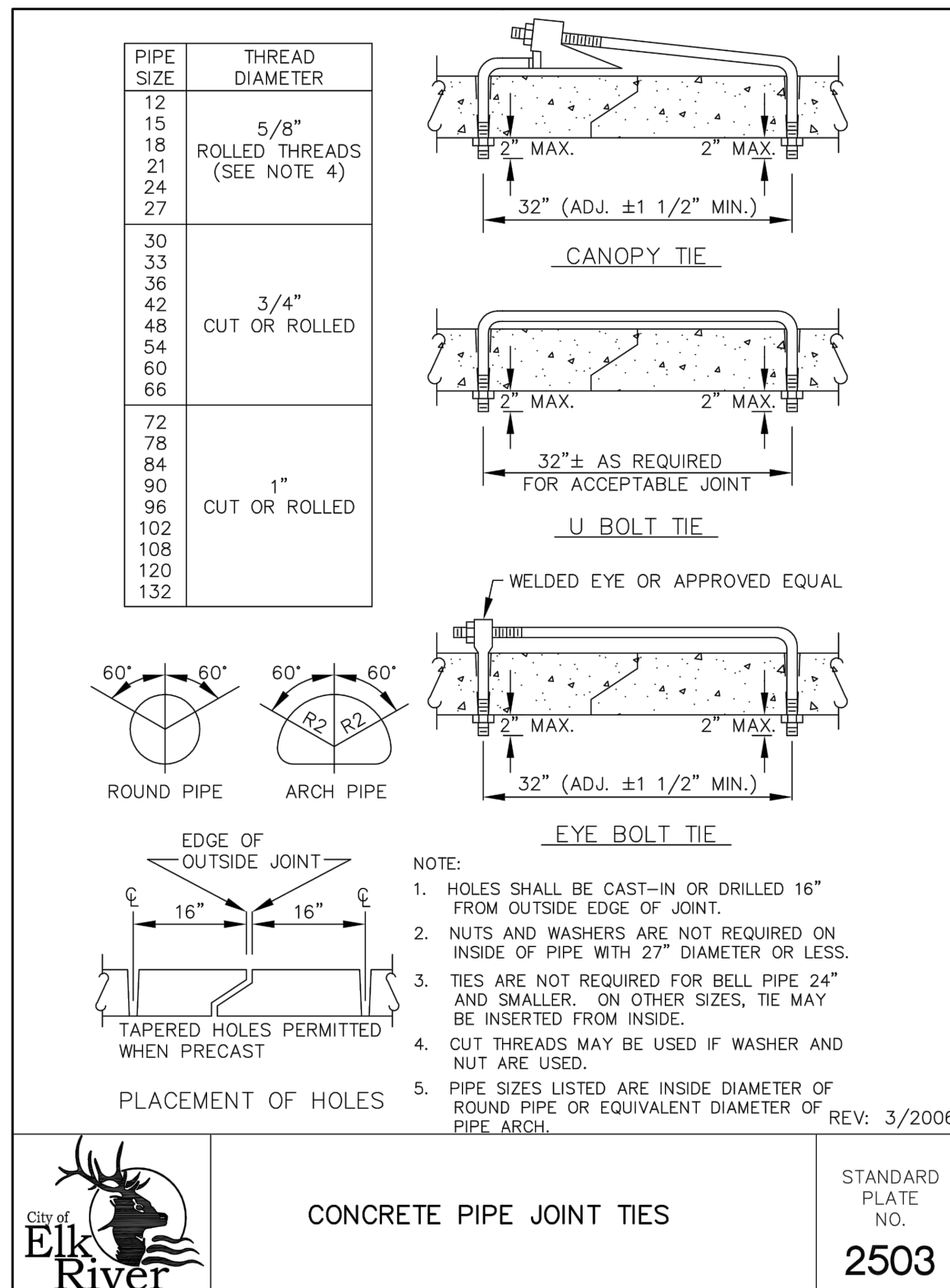
SLAB TOP MANHOLE

STANDARD  
PLATE  
NO.  
2502

REV. NO.	DATE	DESCRIPTION
1	02/22/2021	DRAWINGS ISSUED TO CITY
2	03/12/2021	DRAWINGS REVISED PER CITY REVIEW
3	03/30/2021	MPCA REVIEW
4	04/21/2021	FINAL CONSTRUCTION PLANS
5	05/14/2021	DRAWINGS REVISED PER 2ND CITY REVIEW
6	06/30/2021	ADDENDUM 1
	04/18/2022	RECORD AS-BUILT DRAWINGS

I hereby certify that this plan, specification, or report was prepared by me or under my direct supervision and that I am a duly Licensed Professional Engineer under the laws of the State of Minnesota.

Signed: Christopher J. Dahn Lic. No. 68628  
Date: 04/18/2022

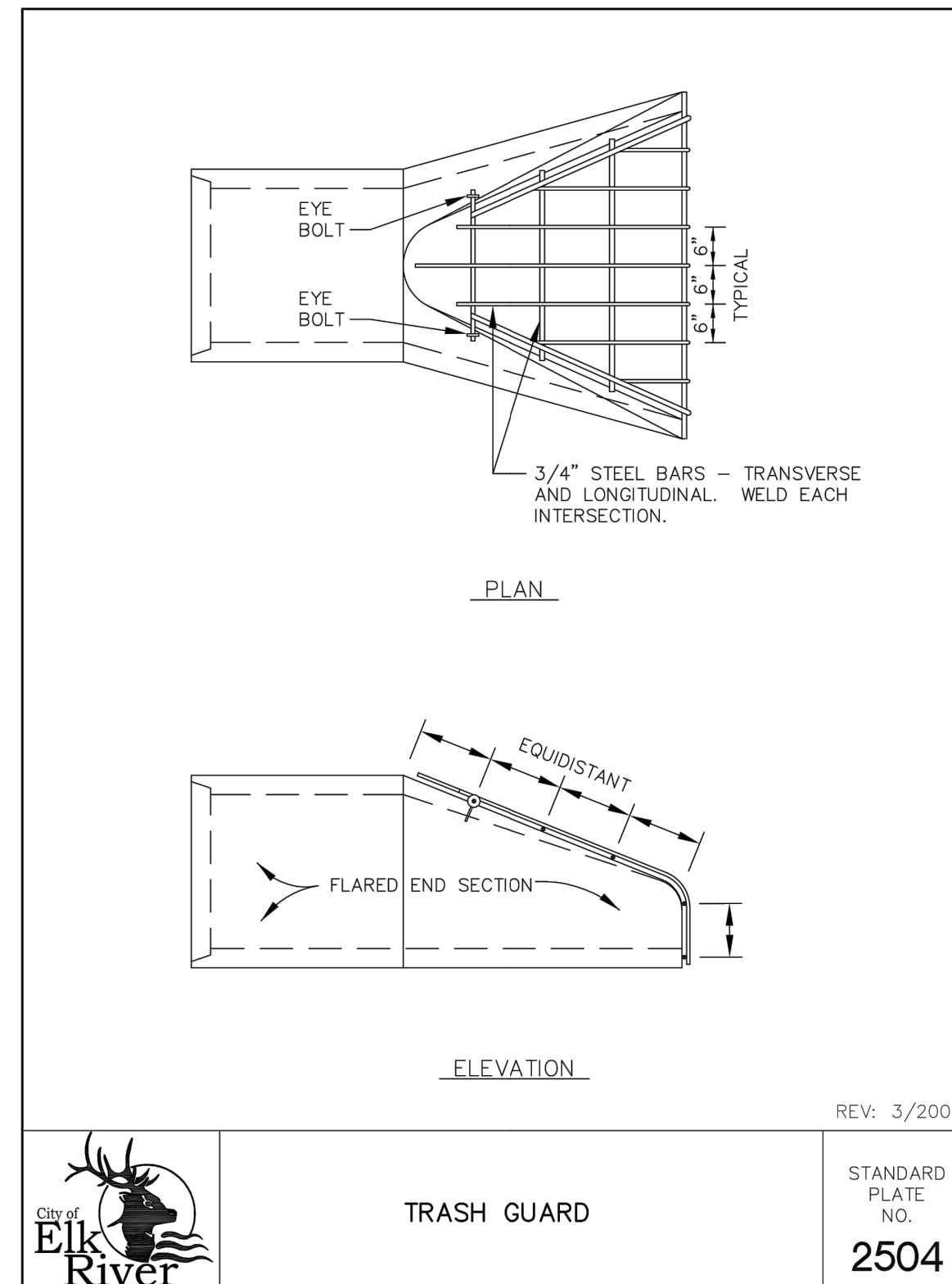


REV: 3/2006

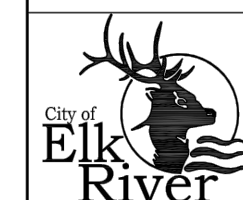


CONCRETE PIPE JOINT TIES

STANDARD  
PLATE  
NO.  
2503

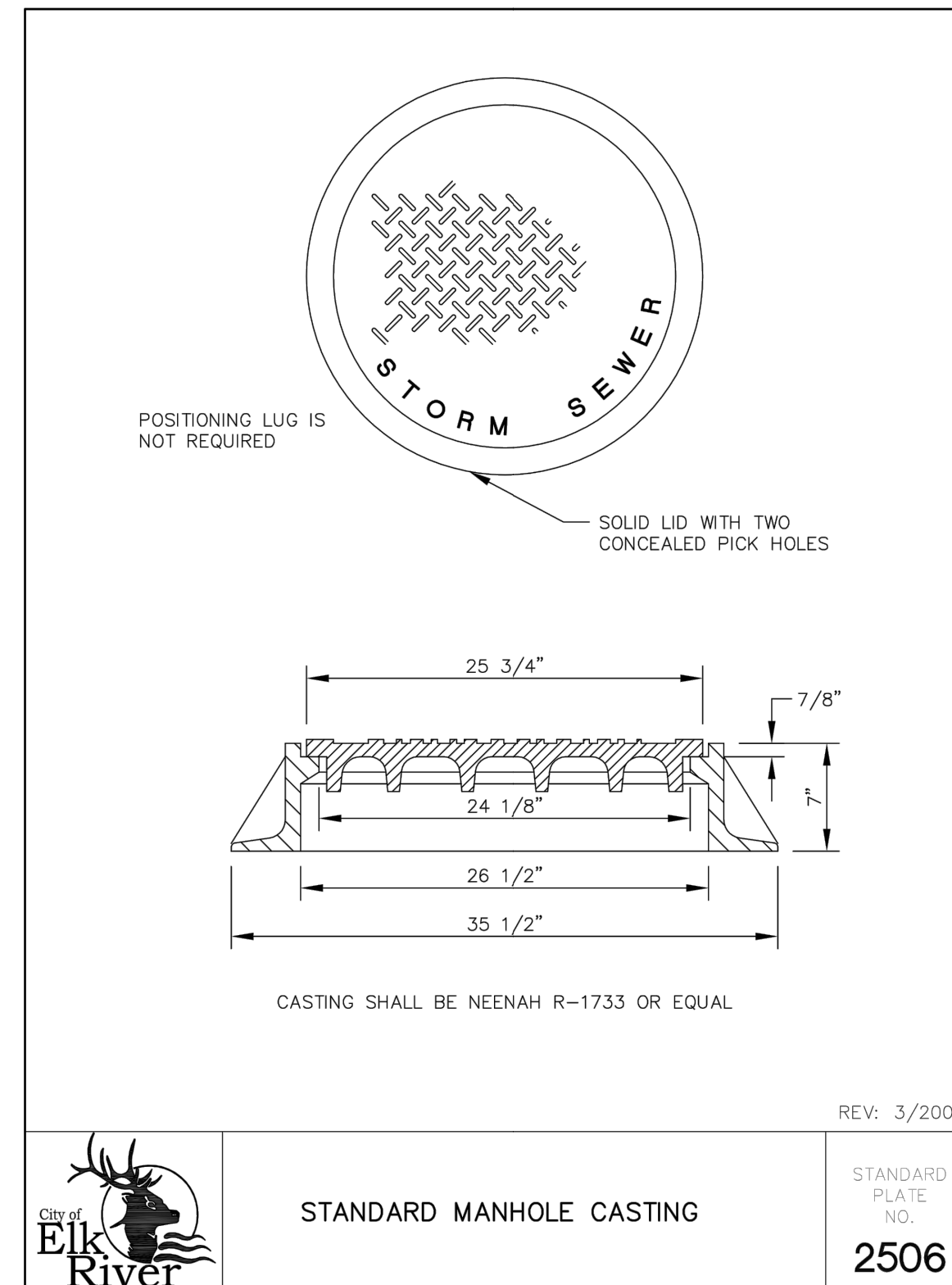


REV: 3/2006



TRASH GUARD

STANDARD  
PLATE  
NO.  
2504

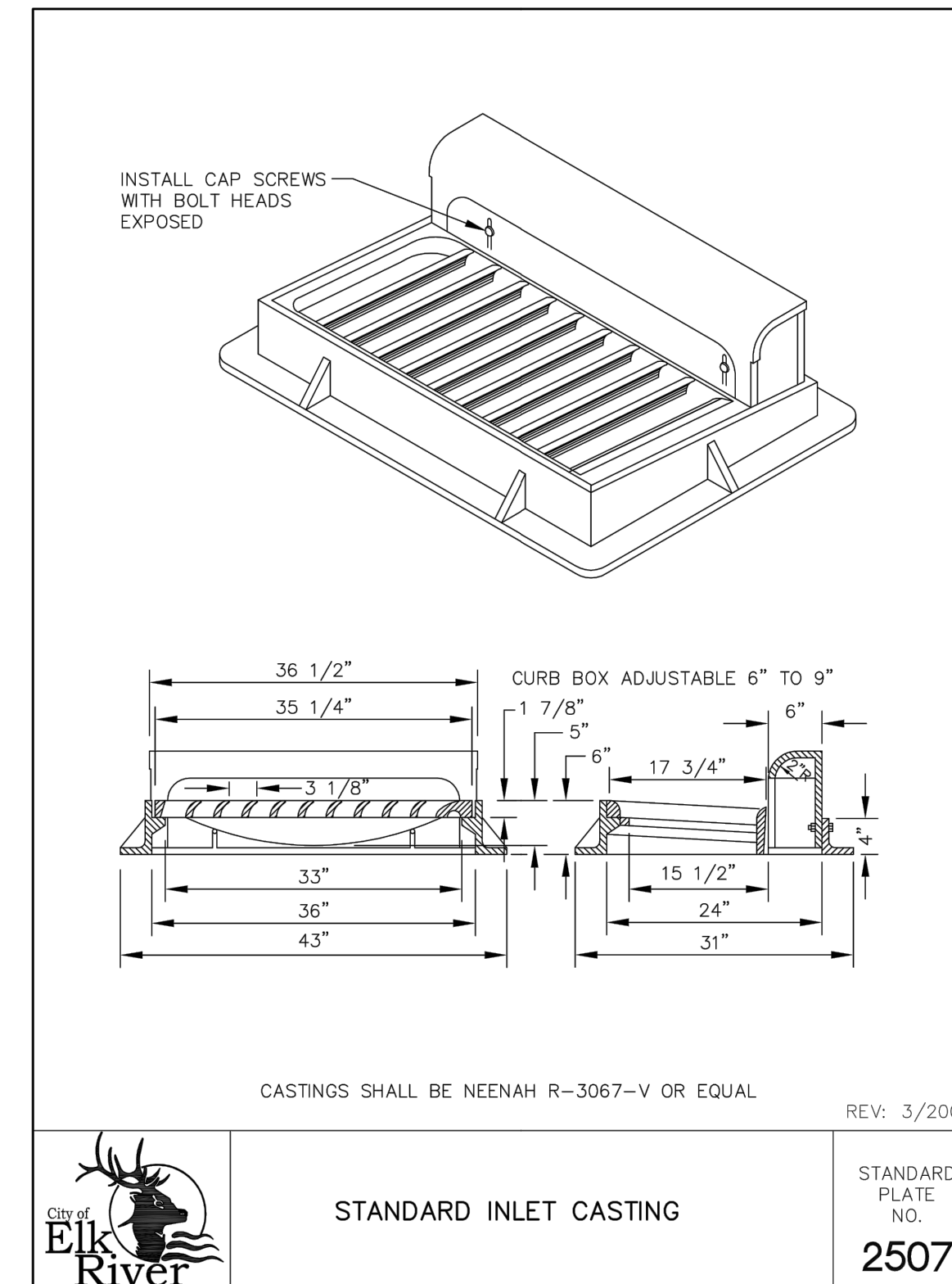


REV: 3/2006

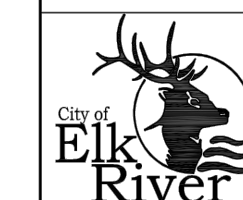


STANDARD MANHOLE CASTING

STANDARD  
PLATE  
NO.  
2506



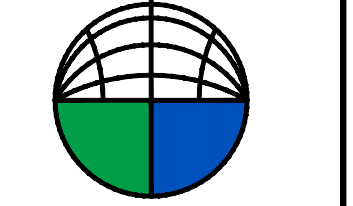
REV: 3/2006



STANDARD INLET CASTING

STANDARD  
PLATE  
NO.  
2507

**BOGART, PEDERSON & ASSOCIATES, INC.**  
LAND SURVEYING  
ENVIRONMENTAL SERVICES  
13076 FIRST STREET, BECKER, MN 55508-9322  
TEL: 763-262-8822 FAX: 763-262-8844



TRANQUIL MEADOWS  
RESIDENTIAL DEVELOPMENT  
PROVIDENCE S&S, LLC  
City of Elk River, Sherburne County, MN  
CONSTRUCTION DETAILS

SHEET NO.

C15