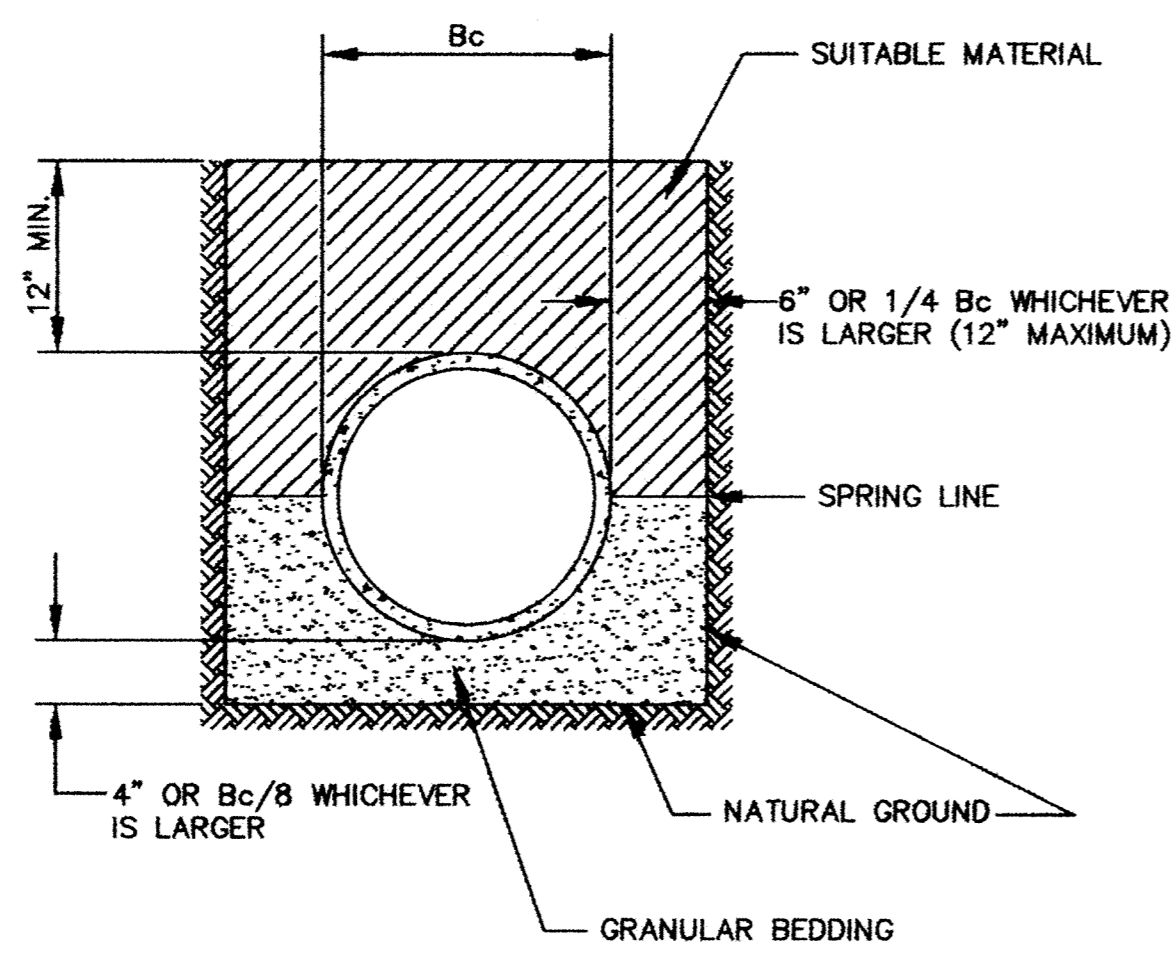
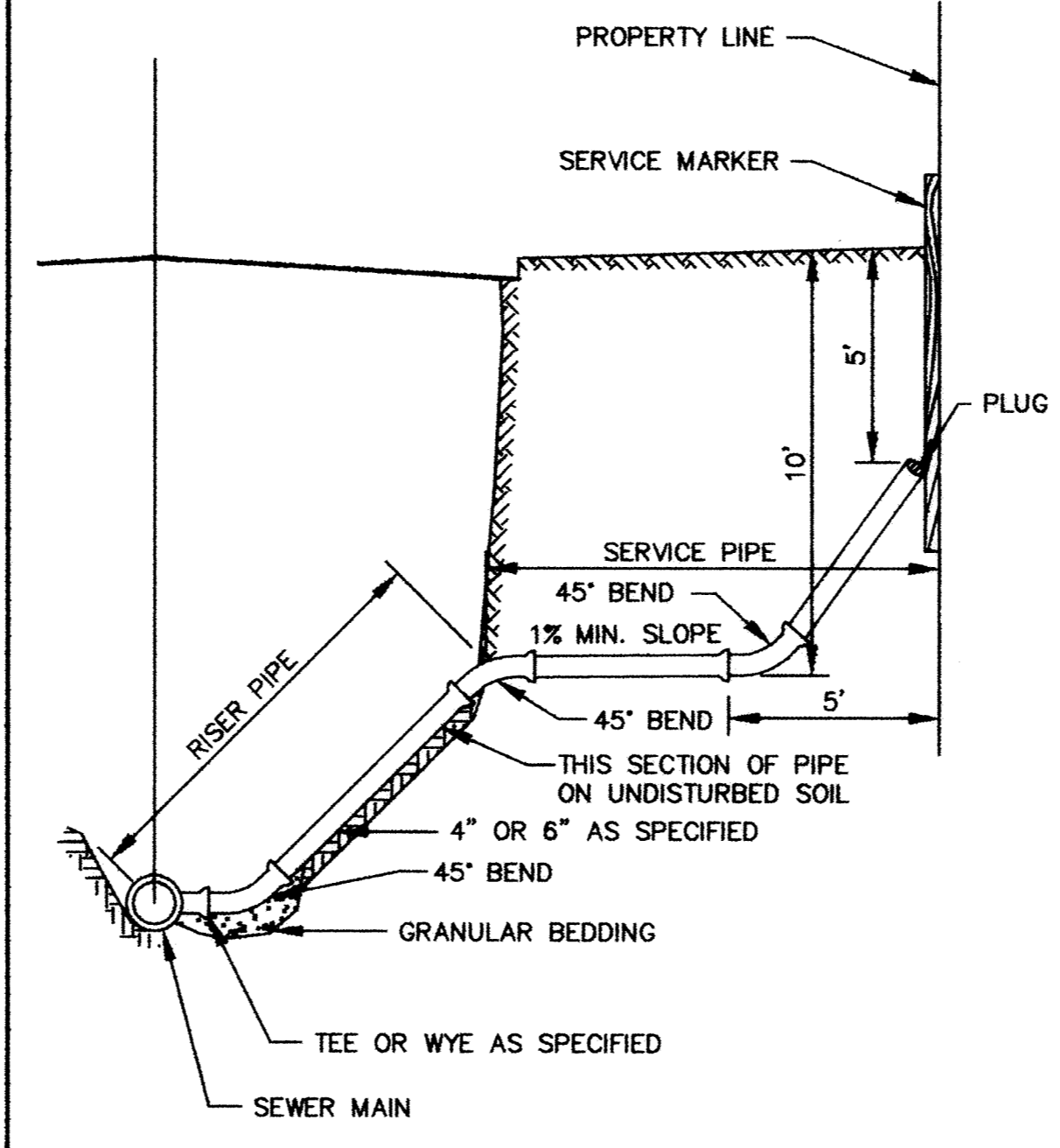


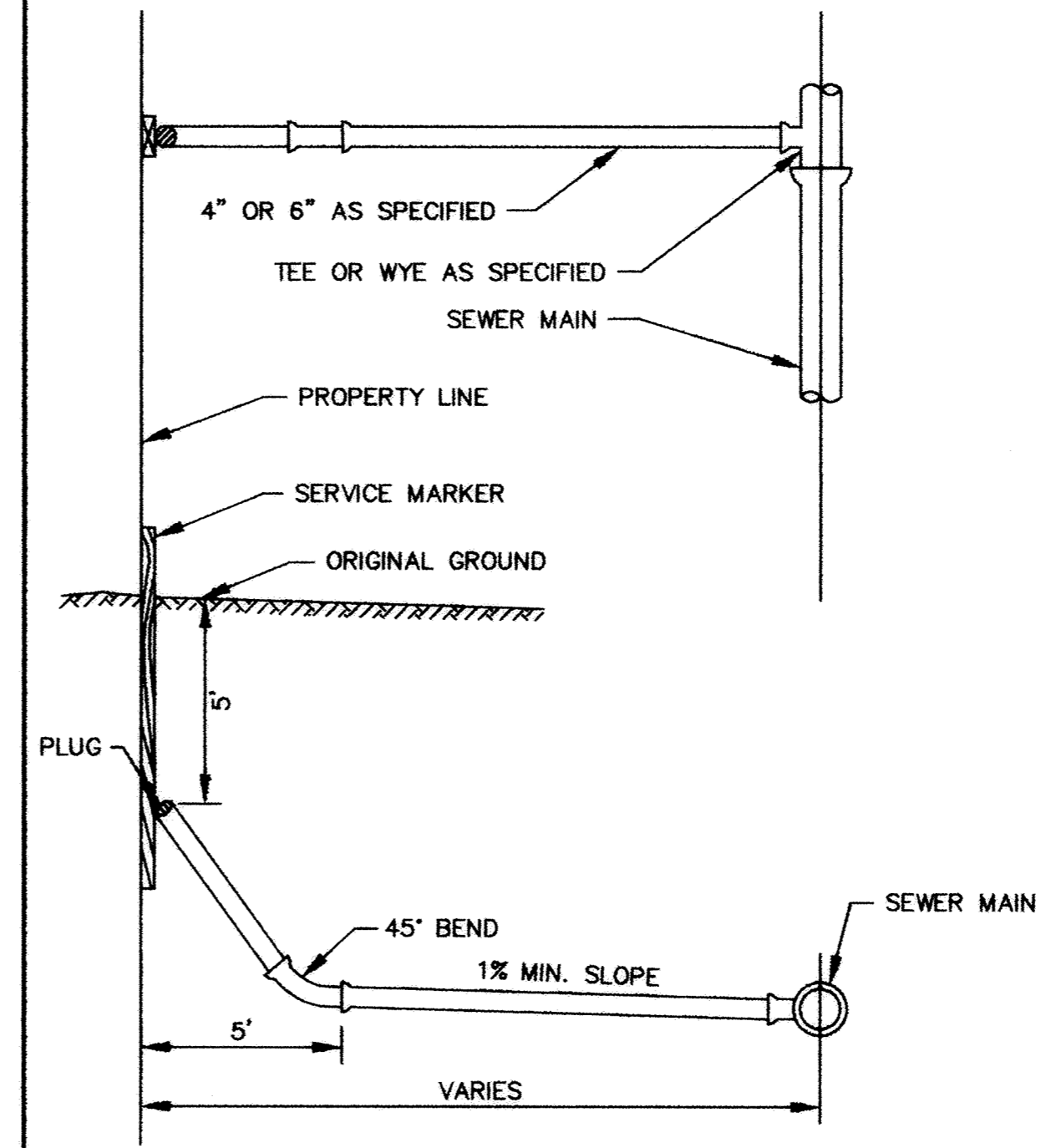
SLAB TOP MANHOLE



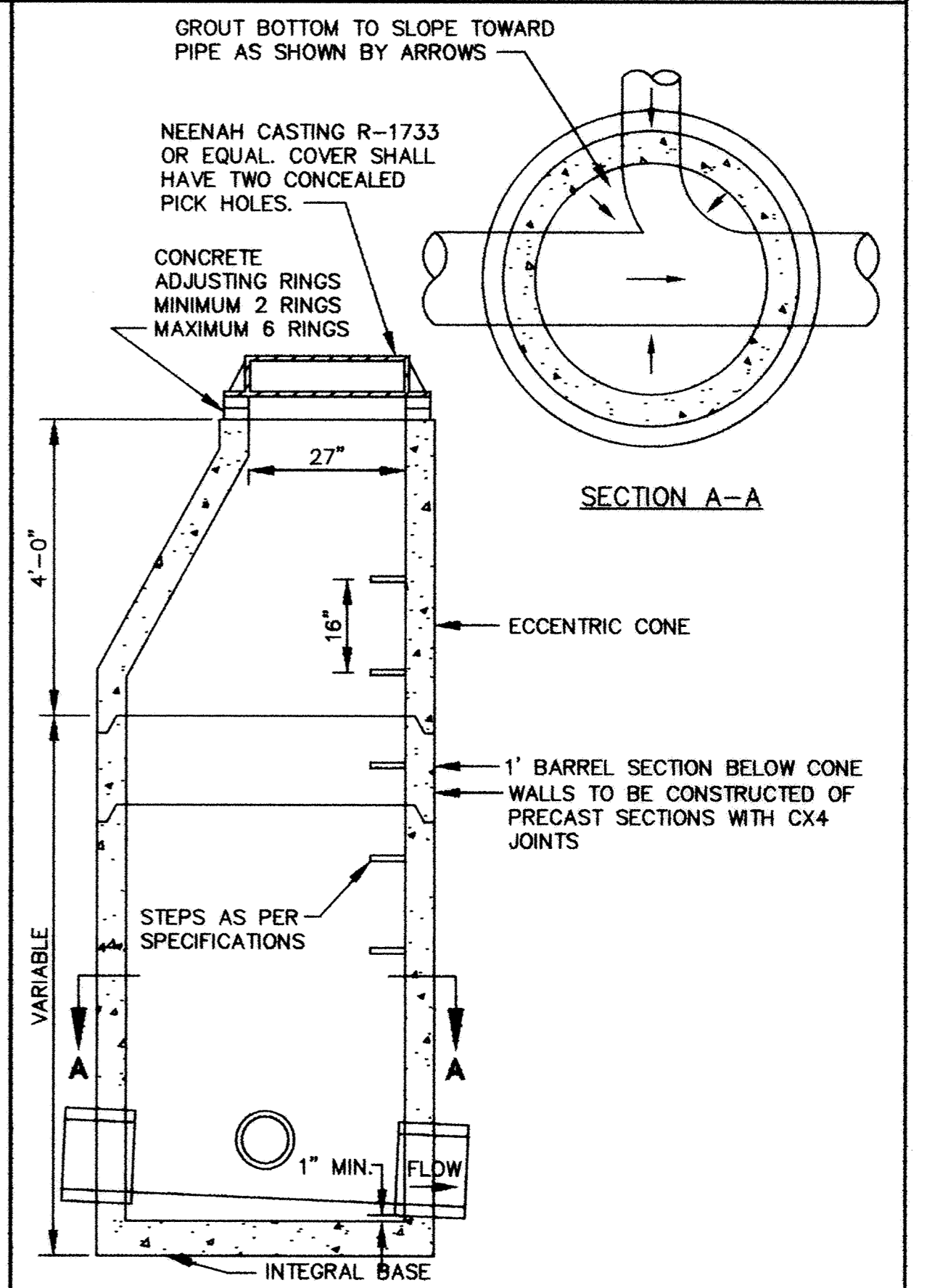
CLASS B PIPE BEDDING



SERVICE RISER SECTION



TYPICAL HOUSE SERVICE



STANDARD MANHOLE

DESIGNED BY: KJT DRAWN BY: EY
 APPROVED: TJM JOB NUMBER 815640J
 CAD DATE: January 15, 2003 11:26:55 a.m.
 CAD FILE: 815640\MISC\815640-D1.DWG (JLALLEN)

I HEREBY CERTIFY THAT THIS PLAN, SPECIFICATION, OR REPORT WAS PREPARED BY ME OR UNDER MY DIRECT SUPERVISION AND THAT I AM A DULY LICENSED PROFESSIONAL ENGINEER UNDER THE LAWS OF THE STATE OF MINNESOTA.
 SIGNATURE: _____ DATE: _____
 PRINTED NAME: TERRY J. MAURER LIC. NO. 15318

NO.	DATE	BY	REVISION DESCRIPTION

1326 ENERGY PARK DRIVE
 ST. PAUL, MINNESOTA 55108
 (651) 644-4389

Howard R. Green Company
 CONSULTING ENGINEERS

ZANE AVENUE IMPROVEMENTS
 CITY OF ELK RIVER
 ZANE AVENUE

SANITARY SEWER DETAILS
 S.P. 7101-56

SHEET NO.
15