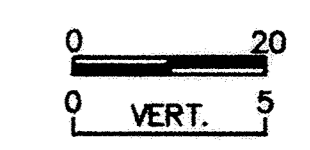
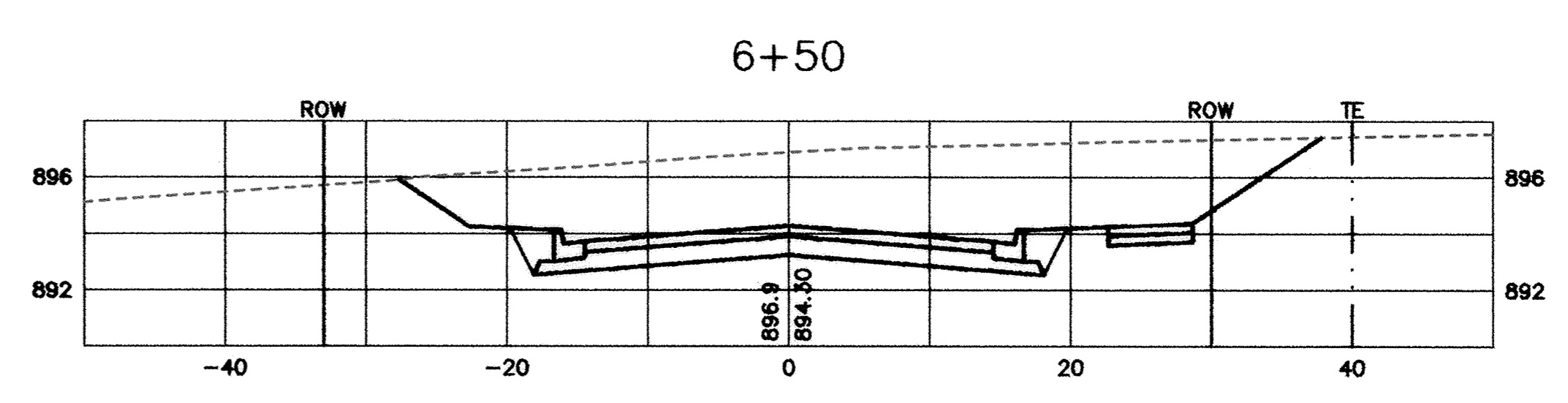
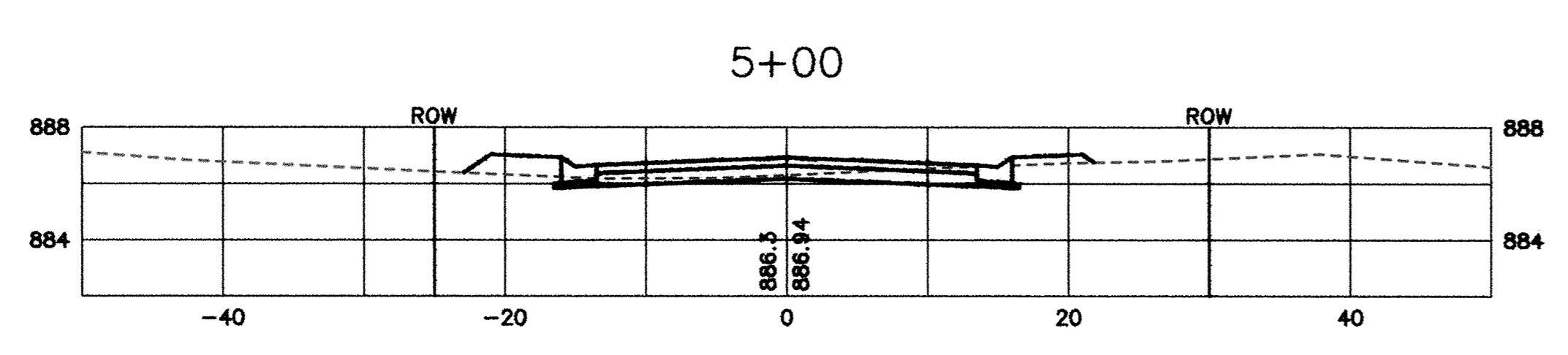
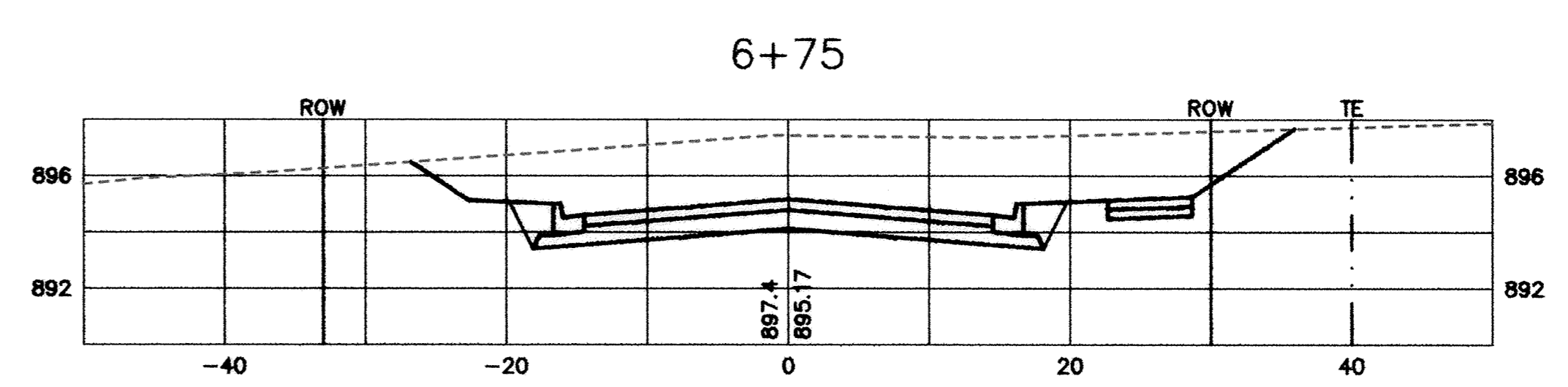
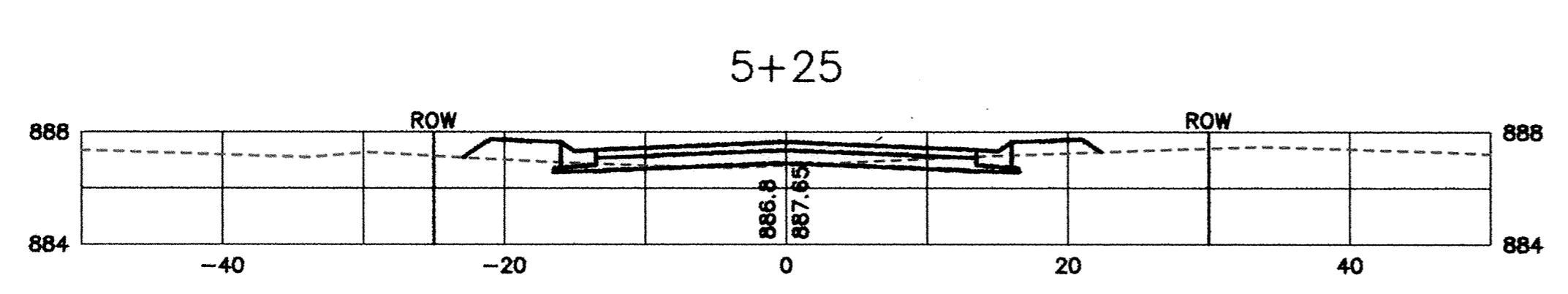
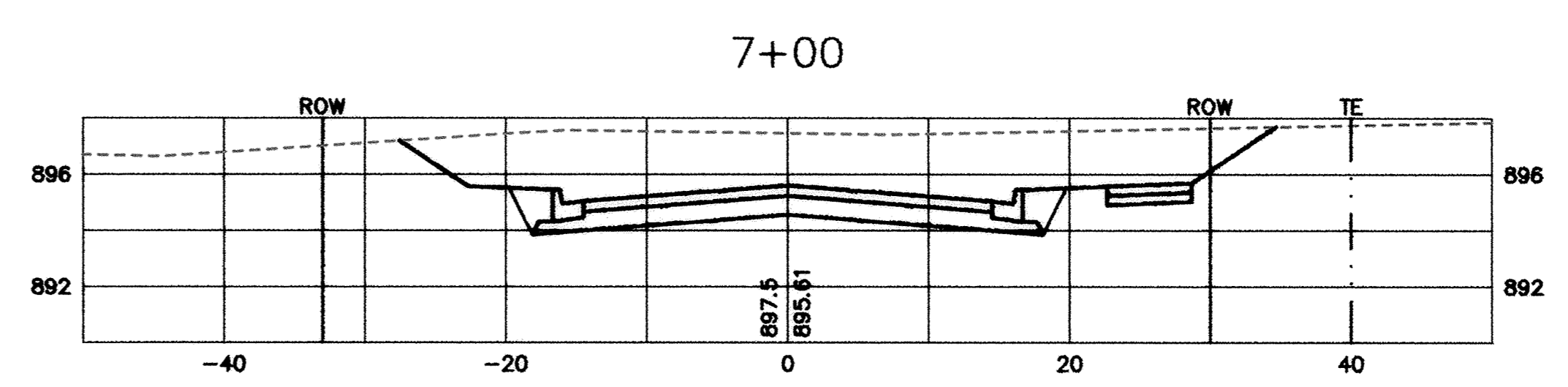
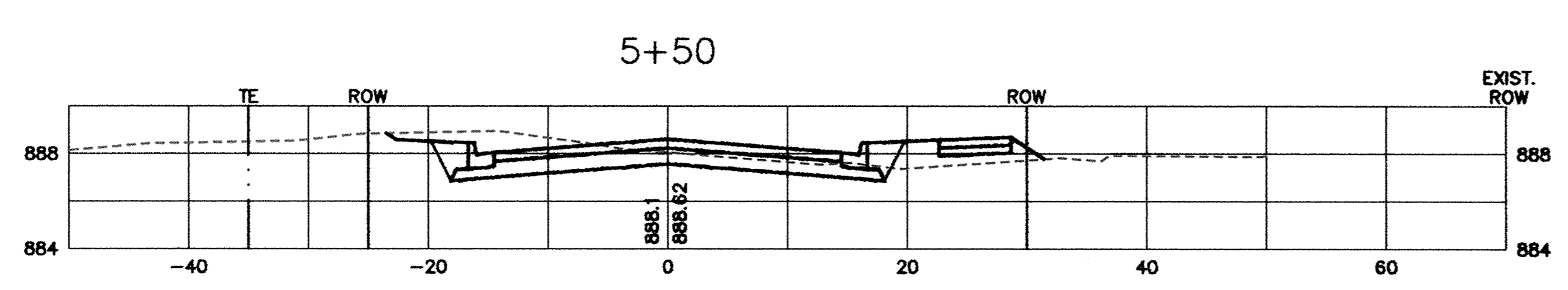
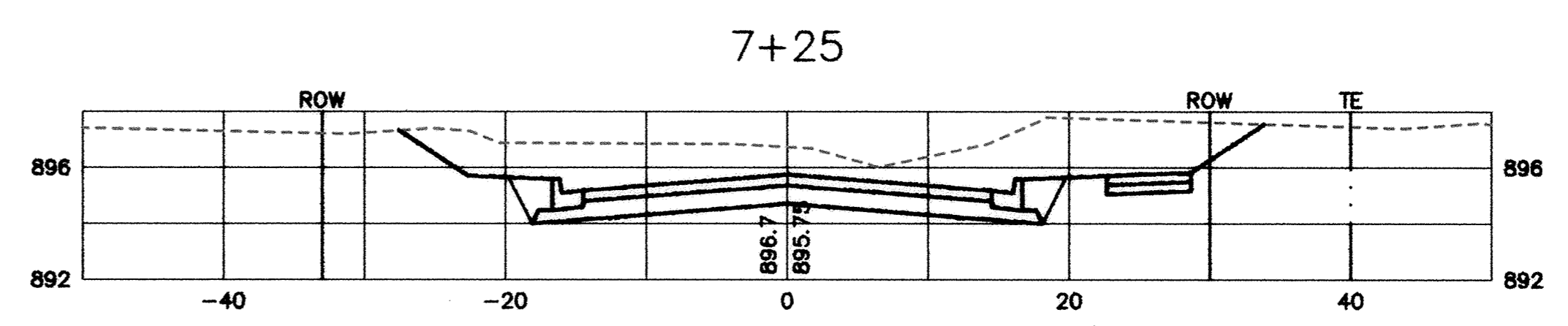
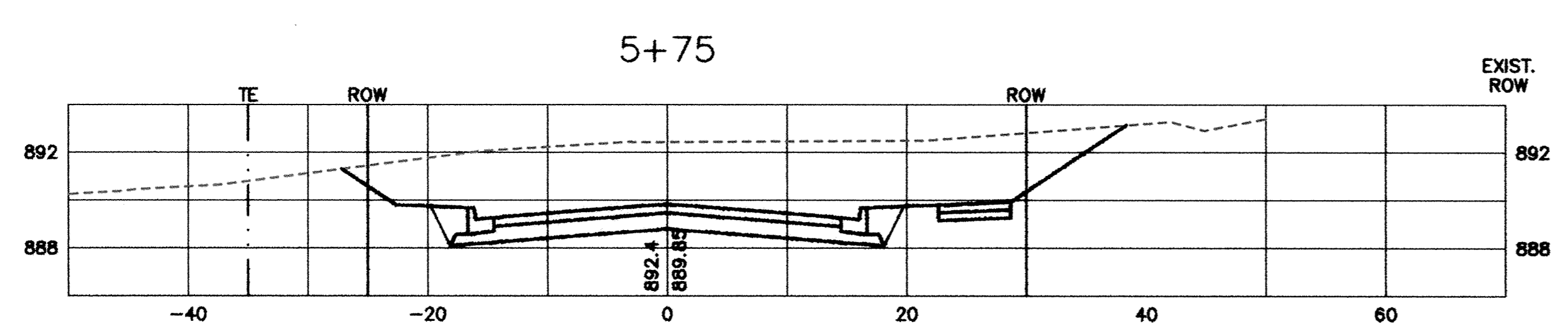
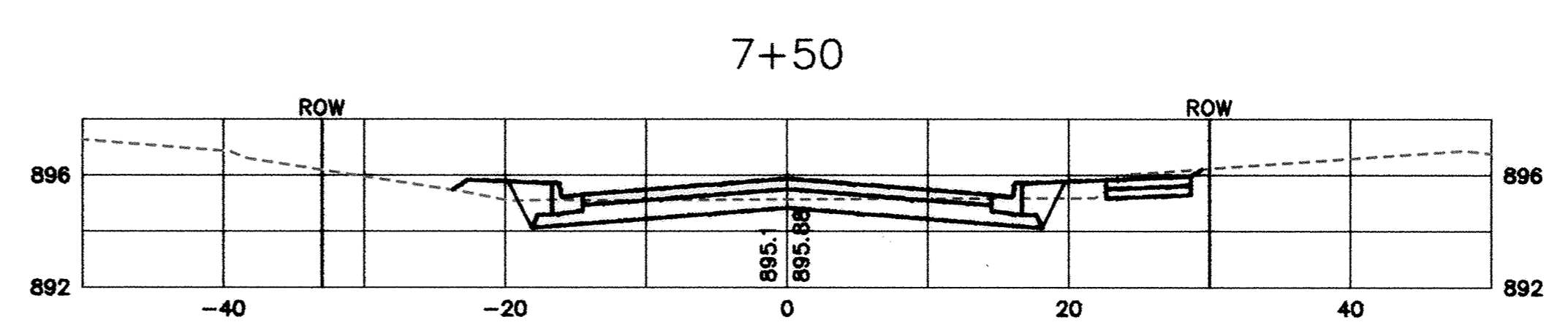
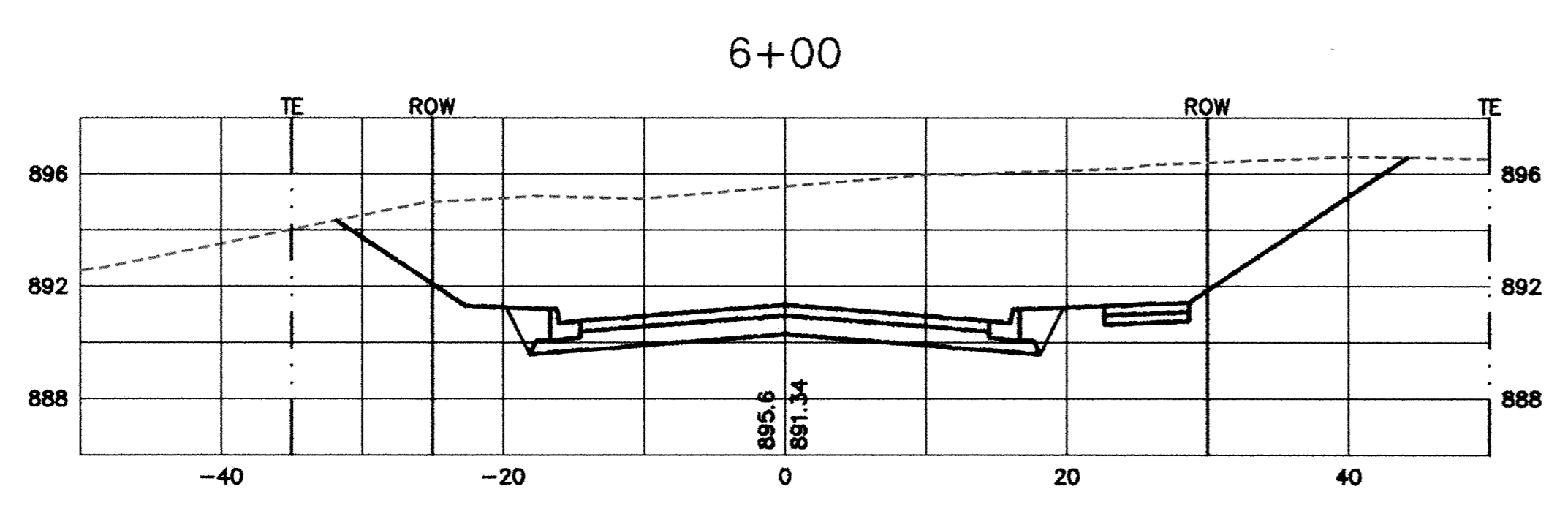
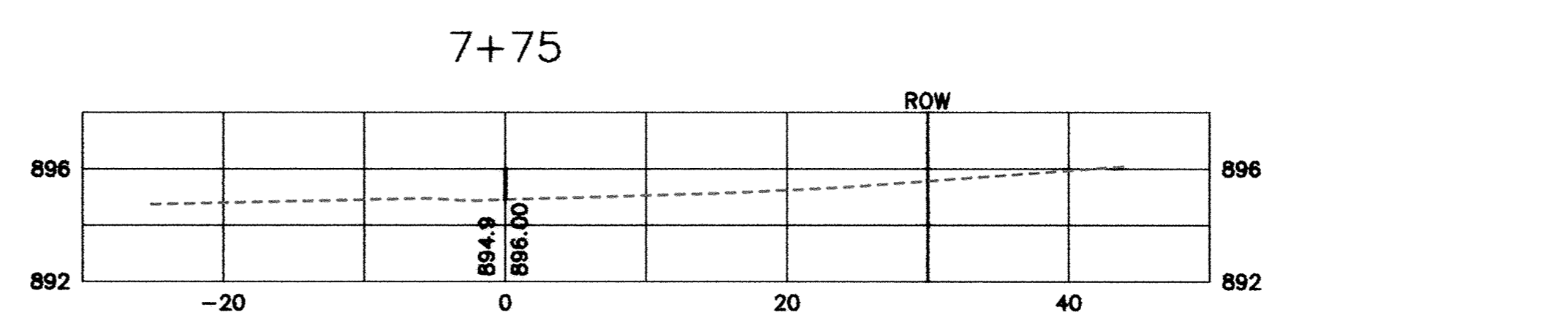
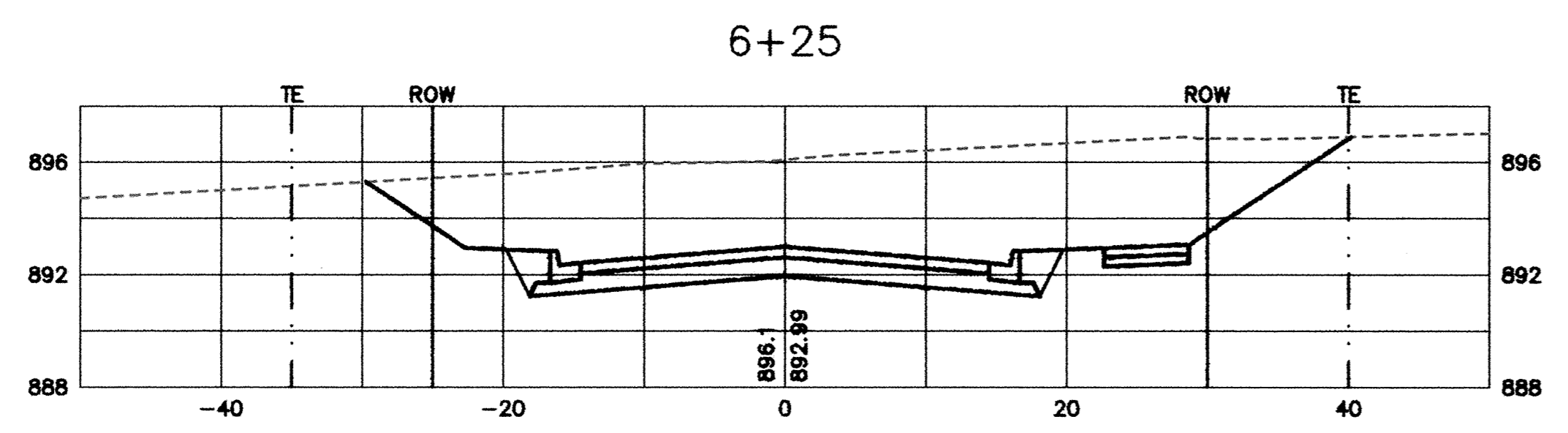


YACCO PRODUCTS • NEW HOPE, MINNESOTA
REVISION BY PART NUMBER 8952

YACCO PRODUCTS • NEW HOPE, MINNESOTA
REVISION BY PART NUMBER 8952

YACCO PRODUCTS • NEW HOPE, MINNESOTA
REVISION BY PART NUMBER 8952

YACCO PRODUCTS • NEW HOPE, MINNESOTA
REVISION BY PART NUMBER 8952



DESIGNED BY: KI/EY DRAWN BY: EY
 APPROVED BY: JOB NUMBER 815640J
 CAD DATE: January 10, 2003 7:32:10 a.m.
 CAD FILE: 815640\dwg\XSEC-BASE.DWG (JLALLEN)

I HEREBY CERTIFY THAT THIS PLAN, SPECIFICATION, OR REPORT WAS PREPARED BY ME OR UNDER MY DIRECT SUPERVISION AND THAT I AM A DULY LICENSED PROFESSIONAL ENGINEER UNDER THE LAWS OF THE STATE OF MINNESOTA.

SIGNATURE _____ DATE _____
 PRINTED NAME TERRY J. MAURER LIC. NO. 15316

NO.	DATE	BY	REVISION DESCRIPTION

1326 ENERGY PARK DRIVE
 ST. PAUL, MINNESOTA 55108
 (612) 644-4389

Howard R. Green Company
 CONSULTING ENGINEERS

CITY OF ELK RIVER
 ZANE AVENUE

S.P. 7101-56
 ZANE AVENUE IMPROVEMENTS
 CROSS SECTIONS
 STA. 6+00 TO STA. 7+75

SHEET NO.
12