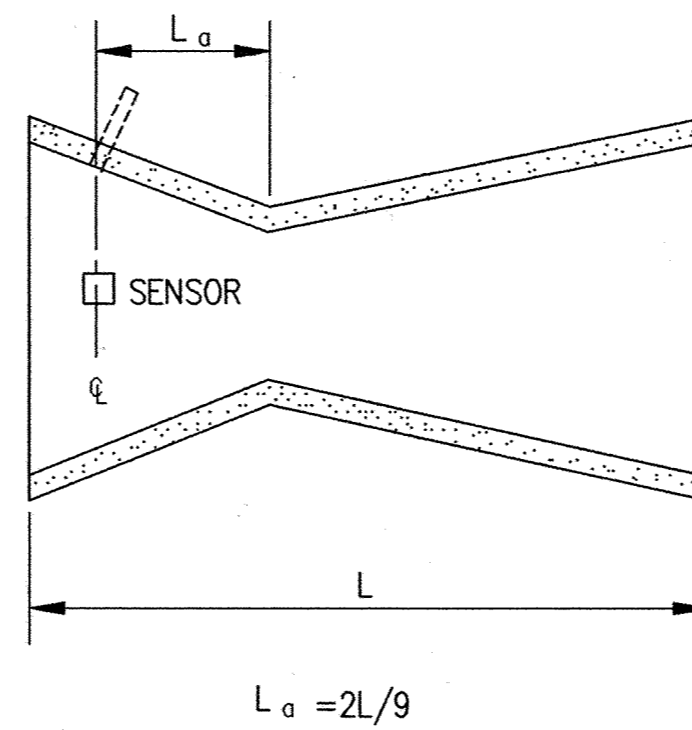
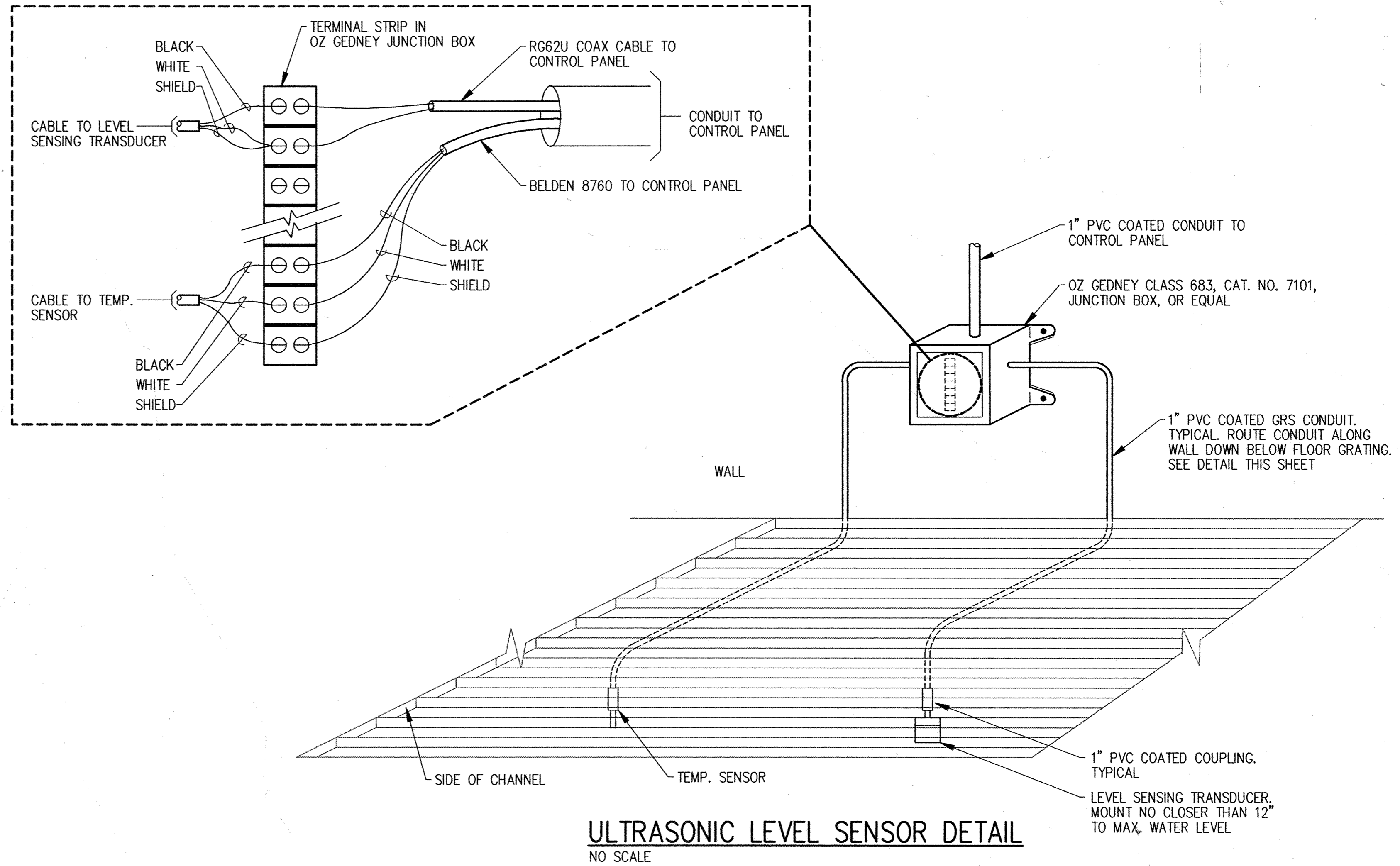
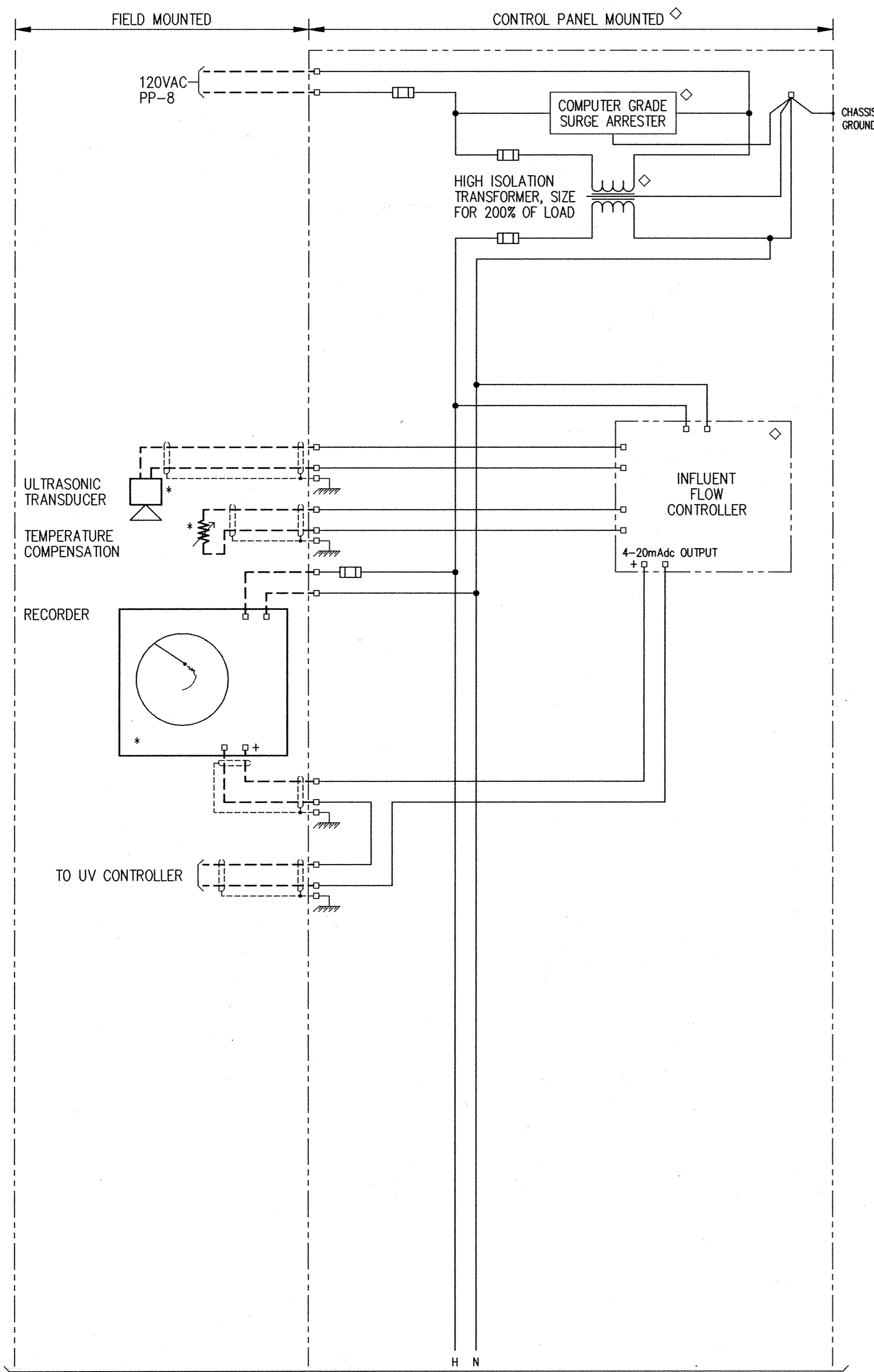
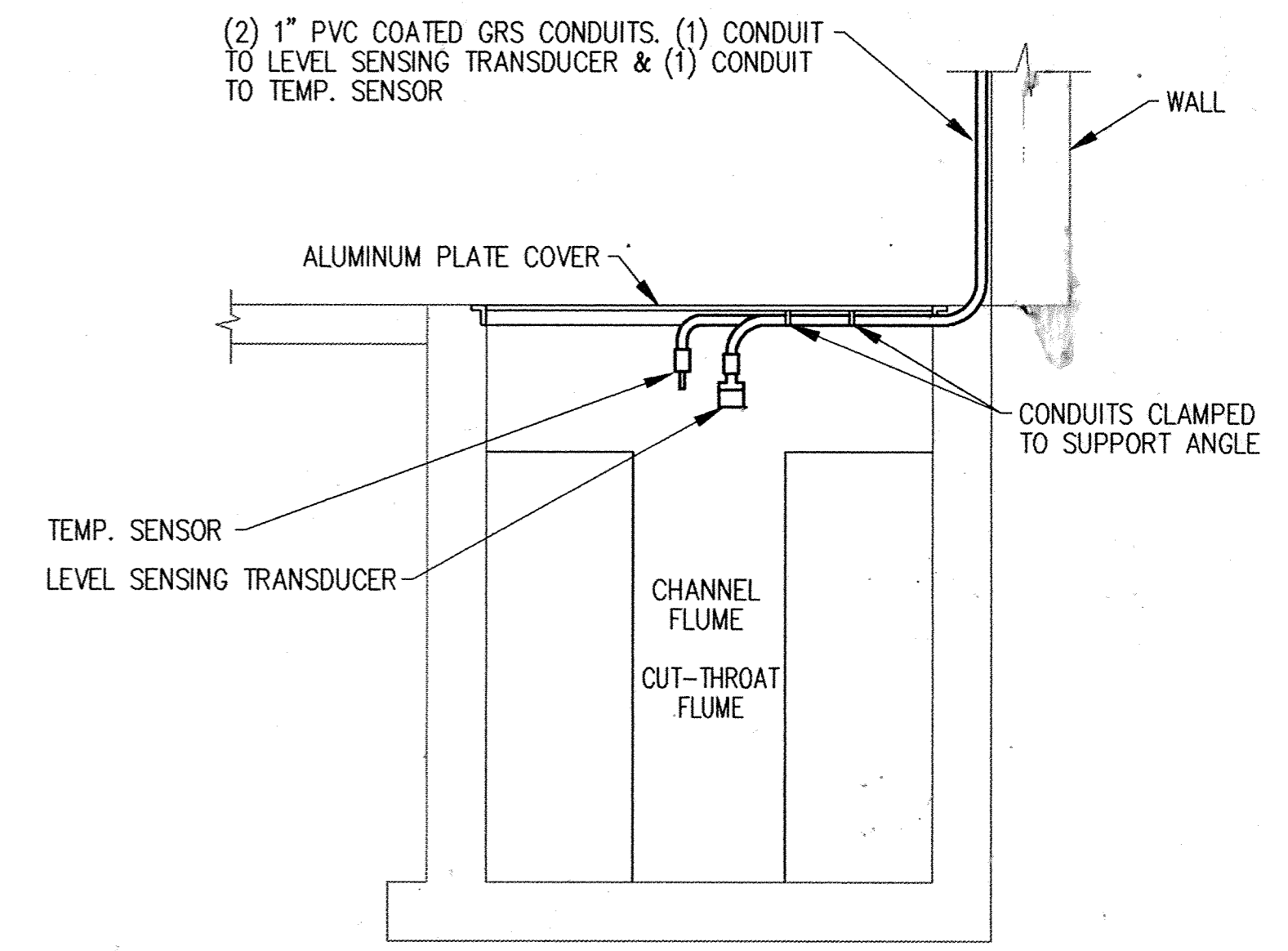


001
002
003
004
005
006
007
008
009
010
011
012
013
014
015
016
017
018
019
020
021
022
023
024
025
026
027
028
029
030
031
032
033
034
035
036
037
038
039
040
041
042
043
044
045
046
047
048
049
050
051
052
053
054
055
056
057
058
059
060
061
062
063
064
065



DIMENSIONAL CONFIGURATION OF CUTTHROAT FLUME
NO SCALE



FLOW SENSOR DETAIL
NO SCALE

This drawing was prepared by:
Kaeding & Associates, Inc.
7300 France Avenue South
Suite 330
Minneapolis, MN 55435
Telephone: (612) 831-0317
Fax: (612) 831-2179

I hereby certify that this report, plan, or specification was prepared by me or under my direct supervision and I am a duly registered Professional Engineer under the laws of the State of Minnesota.
[Signature]
Date: 18 AUG 93 Registration No.: 9955

Maier Stewart & Associates Inc.
CONSULTING ENGINEERS
1959 SLOAN PLACE (612) 774-6021 ST. PAUL, MINNESOTA 55117
9800 SHELARD PARKWAY (612) 546-0432 MINNEAPOLIS, MINNESOTA 55441

DATE	DESCRIPTION	DESIGNED PFK
		CHECKED PFK
		DRAWN DTB
GRAPHIC SCALE		
0	HORIZ.	
0	VERT.	

CITY OF ELK RIVER
WASTEWATER TREATMENT PLANT U.V. DISINFECTION
SCHEMATICS & DETAILS
DATE AUG 1993 SHEET 14 OF 14 SHEETS PROJECT NO. 230-137-20