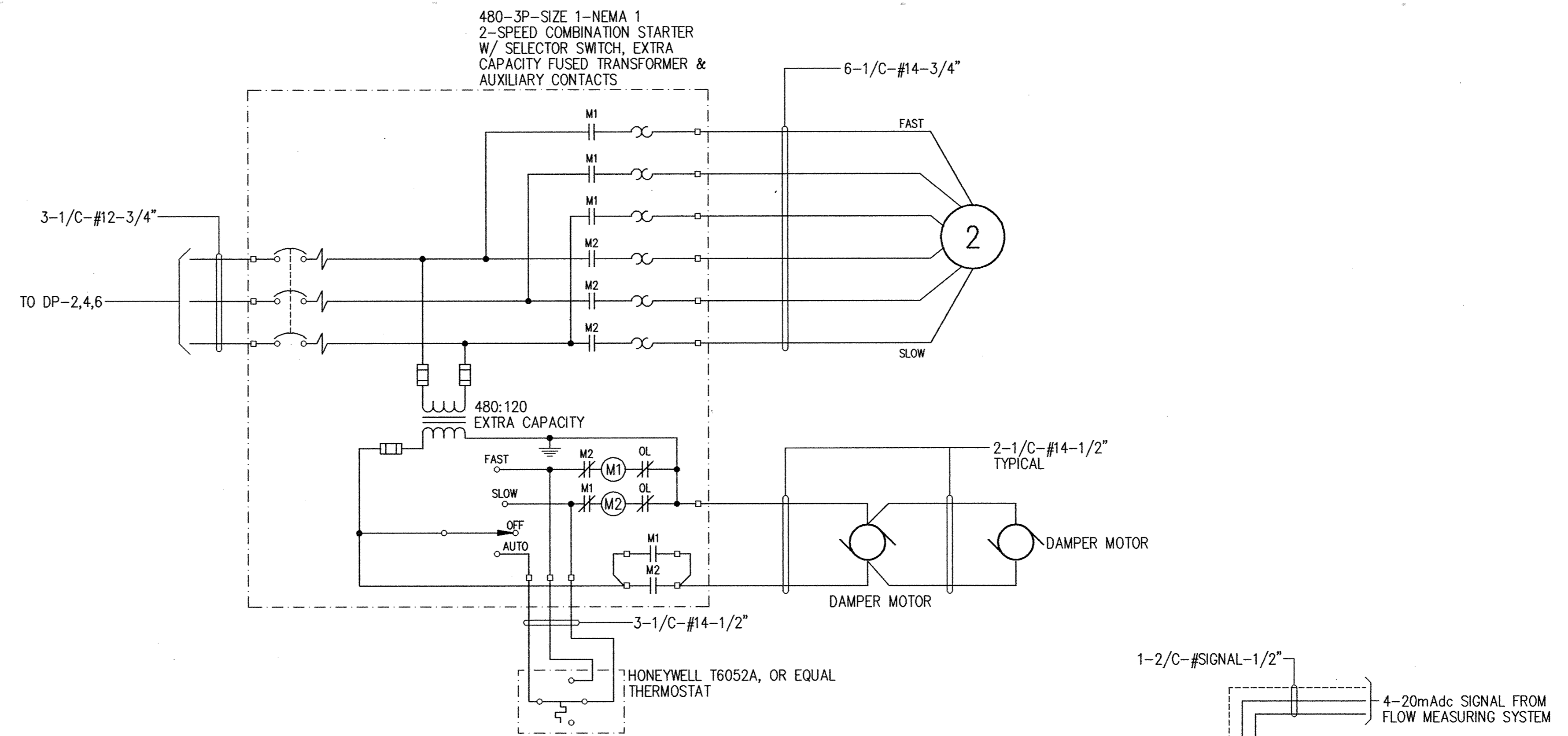


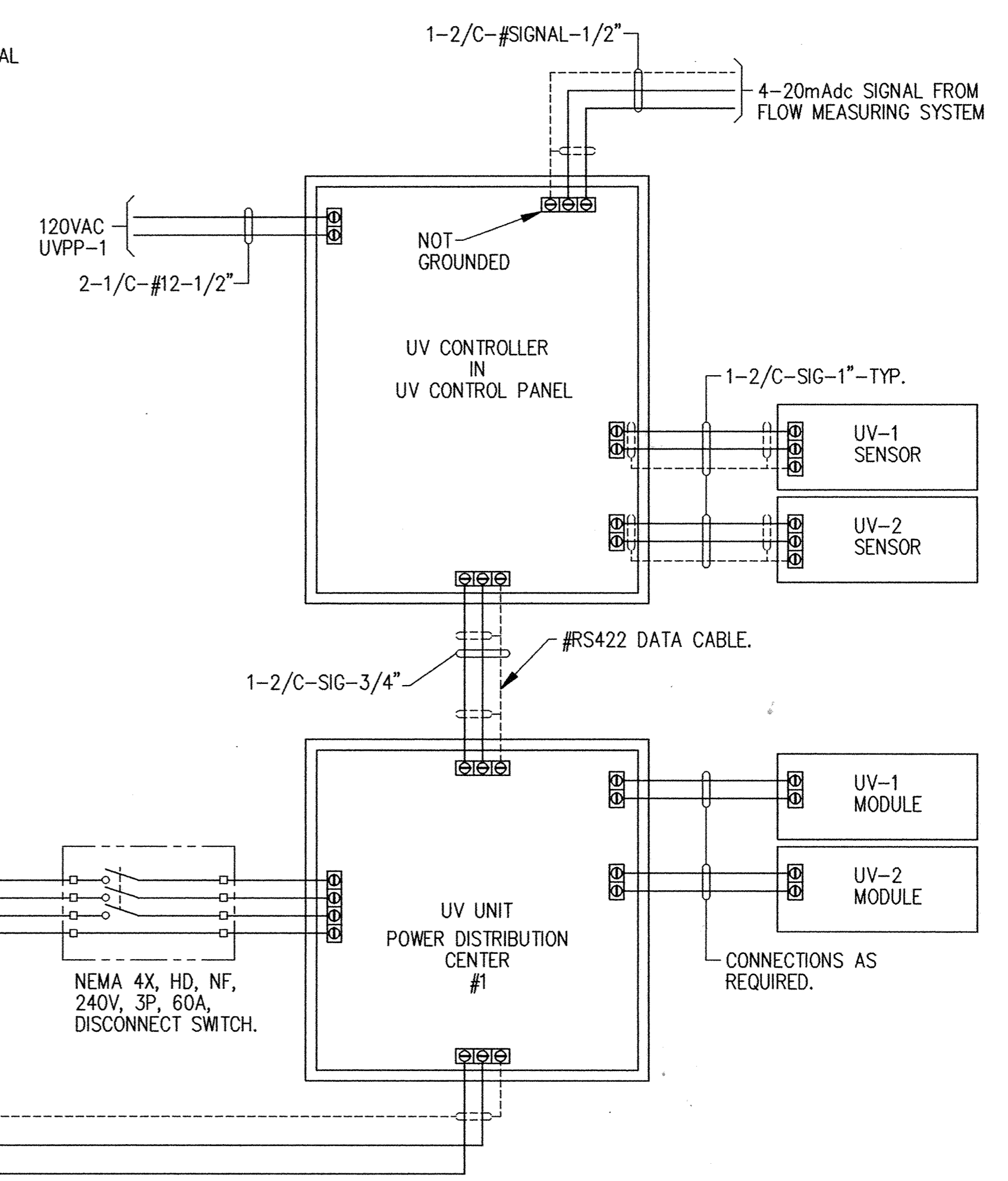
PANELBOARD UVPP										
MOUNTING SURFACE	LOCATION	SERVICE				REMARKS				
		AMPS	VOLTS	PHASE	WIRE	150A MAIN BREAKER, BOLT-ON BRANCH BREAKERS				
	DISINFECTION BLDG	225	120/208	3	4					
CIRCUIT DESCRIPTION	BKR	CKT	ANTICIPATED LOAD IN VA	PHASE	ANTICIPATED LOAD IN VA	CKT	BKR	CIRCUIT DESCRIPTION		
ULTRA-VIOLET (UV) CONTROL PANEL	15A1P	1	500		3500	2	45A	ULTRA-VIOLET (UV) UNIT		
LTS-BUILDING INTERIOR	20A1P	3	1500		3500	4		" " " "		
CO'S-BUILDING INTERIOR	20A1P	5	1000		3500	6	3P	" " " "		
LTS & CO'S-BUILDING EXTERIOR	20A1P	7	700		500	8	20A1P	RECORDER, UV UNIT		
SPARE	20A1P	9				10	20A1P	SPARE		
SPARE	20A1P	11				12	20A1P	SPARE		
ULTRA VIOLET UNIT	45A	13	3500			14	20A1P	" " " "		
" " "		15	3500		600	16	20A1P	GAS UNIT HEATER		
" " "	3P	17	3500			18	20A1P	SPARE		
EXHAUST FAN EF-1	20A1P	19	400			20		SPARE		
SPACE		21				22				
		23				24				
		25				26				
		27				28				
		29				30				

DISTRIBUTION PANEL, DP										
MOUNTING SURFACE	LOCATION	SERVICE				REMARKS				
		AMPS	VOLTS	PHASE	WIRE	SERVICE RATED 200A MAIN BREAKER GROUND PER ARTICLE 250, NEC				
	DISINFECTION BLDG	200	277/480	3	4					
CIRCUIT DESCRIPTION	BKR	CKT	ANTICIPATED LOAD IN VA	PHASE	ANTICIPATED LOAD IN VA	CKT	BKR	CIRCUIT DESCRIPTION		
SPACE		1			1000	2	20A	EF-2		
		3			1000	4		"		
		5			1000	6	3P	"		
		7			15000	8	60A	UVPP TRANSFORMER		
		9			15000	10		"		
		11			15000	12	3P	"		
		13				14		SPACE		
		15				16				
		17				18				
		19				20				
		21				22				
		23				24				

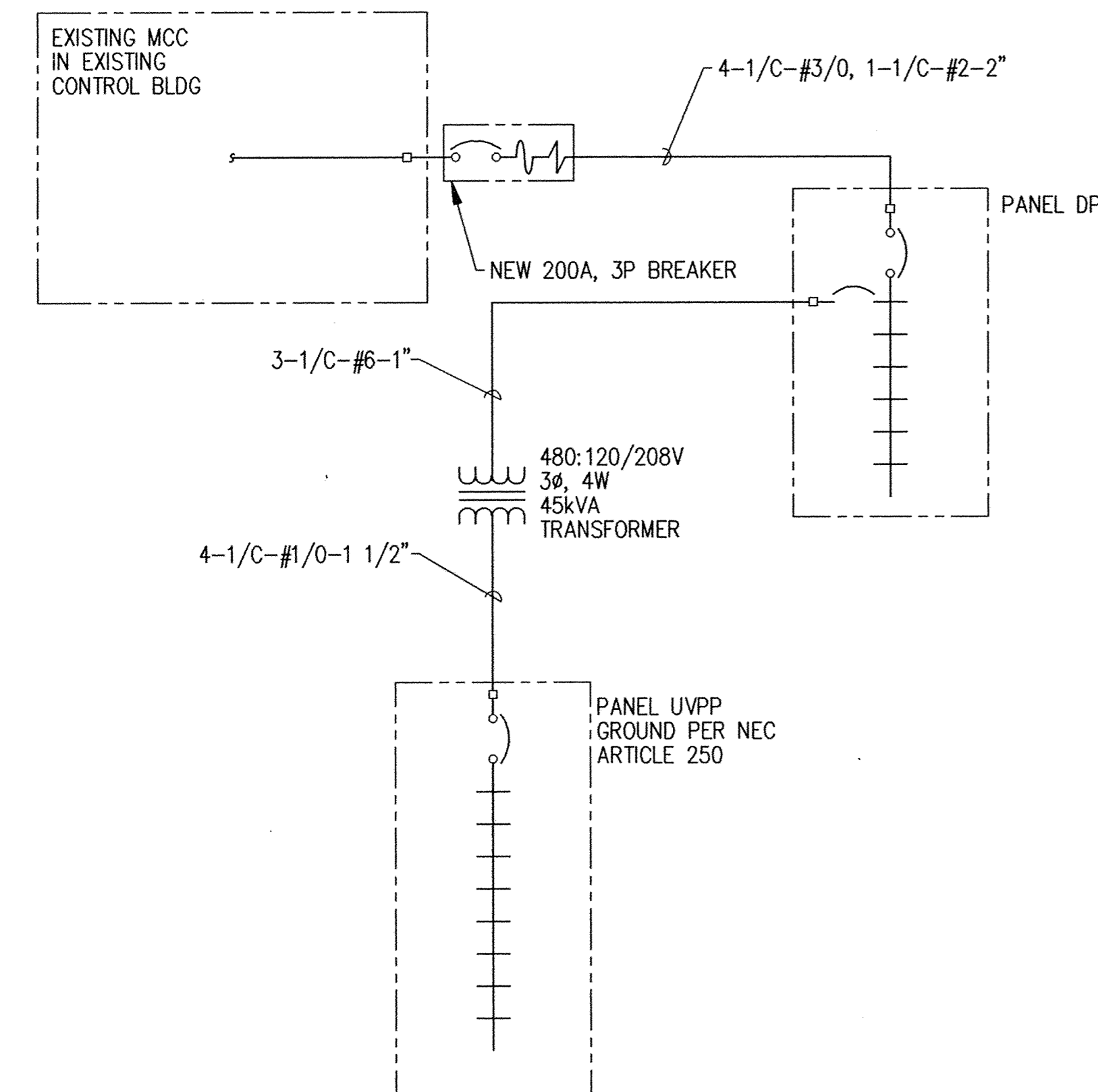


EXHAUST FAN EF-2 SCHEMATIC
NO SCALE

NOTE: THE PLANT IS PRESENTLY CONNECTED 480 VOLTS, DELTA. THE PANELBOARD SHALL BE 277/480 VOLT FOR FUTURE CONNECTION OF THE NEUTRAL TAPE THE NEUTRAL OFF IN PANEL, DP



UV SYSTEM SCHEMATIC
NO SCALE



ONE-LINE DIAGRAM
NO SCALE

This drawing was prepared by: <i>Roading & Associates, Inc.</i> 7300 France Avenue South Suite 330 Minneapolis, MN 55435 Telephone: (612) 831-0317 Fax: (612) 831-2179	I hereby certify that this report, plan, or specification was prepared by me or under my direct supervision and I am a duly registered Professional Engineer under the laws of the State of Minnesota Date: 16 AUG 93 Registration No.: 9955	 Maier Stewart & Associates Inc. CONSULTING ENGINEERS 1959 SLOAN PLACE (612) 774-6021 ST. PAUL, MINNESOTA 55117 9800 SHELARD PARKWAY (612) 546-0432 MINNEAPOLIS, MINNESOTA 55441	DATE DESCRIPTION DESIGNED PFK CHECKED PFK DRAWN DTB	CITY OF ELK RIVER WASTEWATER TREATMENT PLANT U.V. DISINFECTION ELECTRICAL SCHEDULES, SCHEMATICS & DETAILS
			GRAPHIC SCALE 0 HORIZ. 0 VERT.	