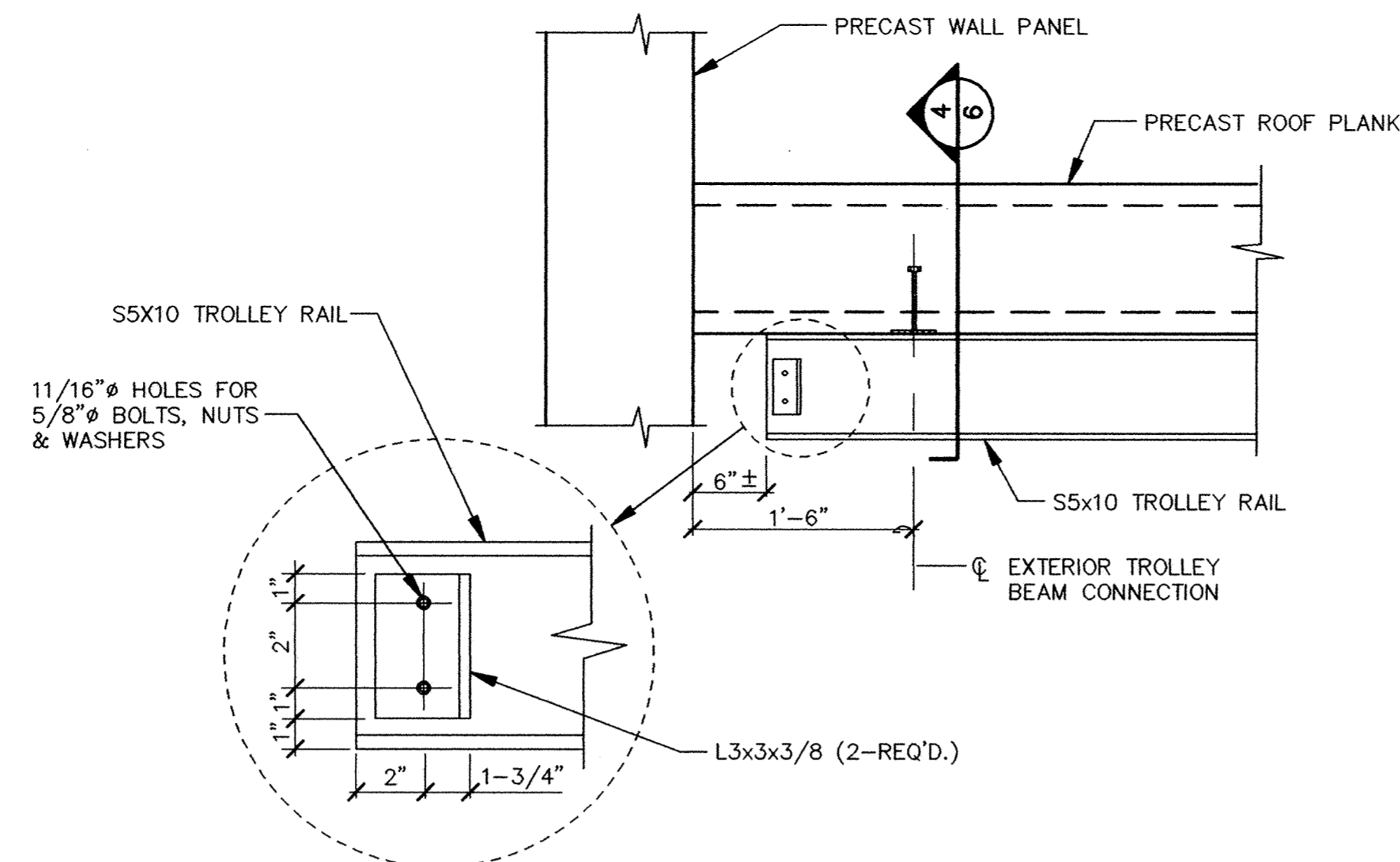
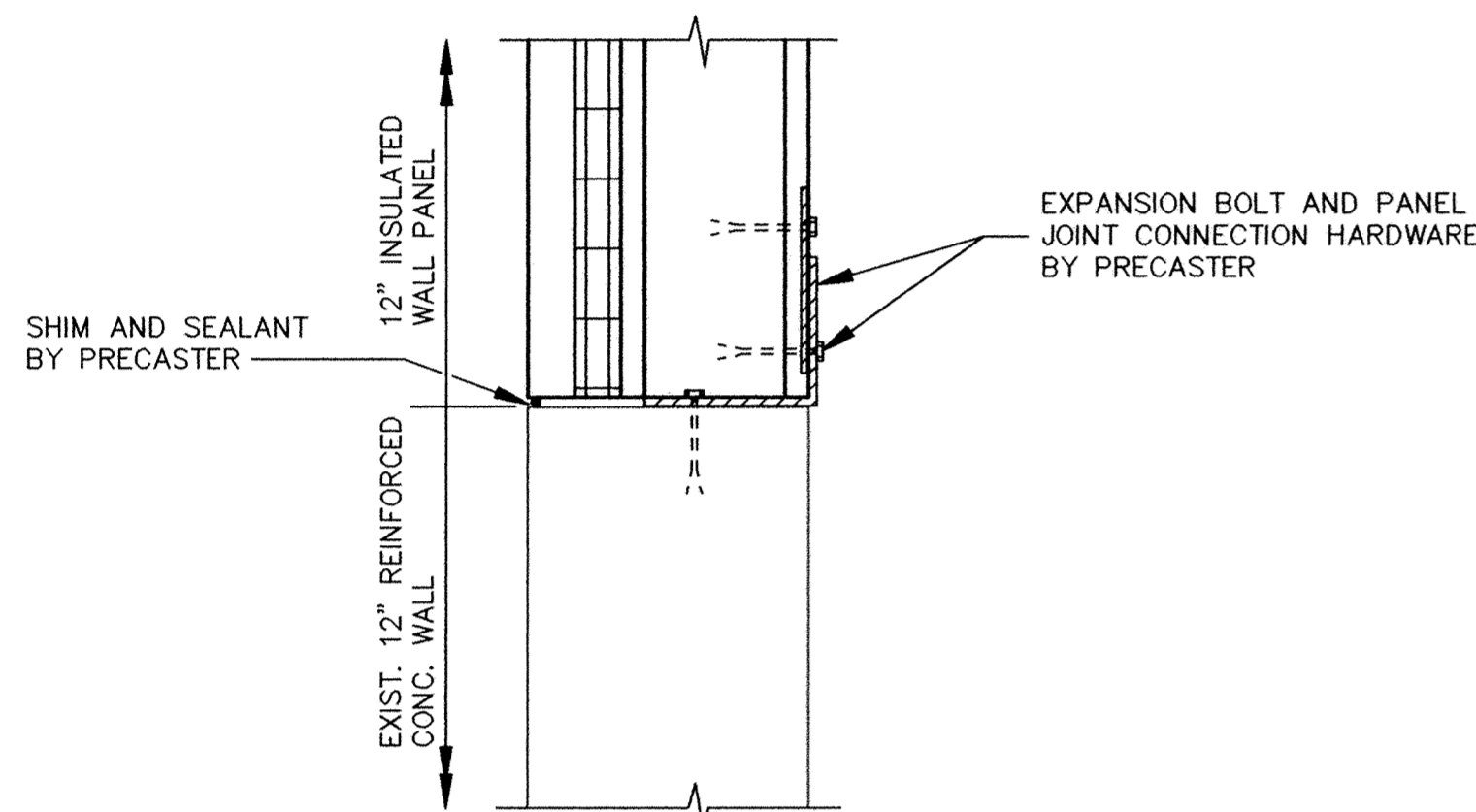


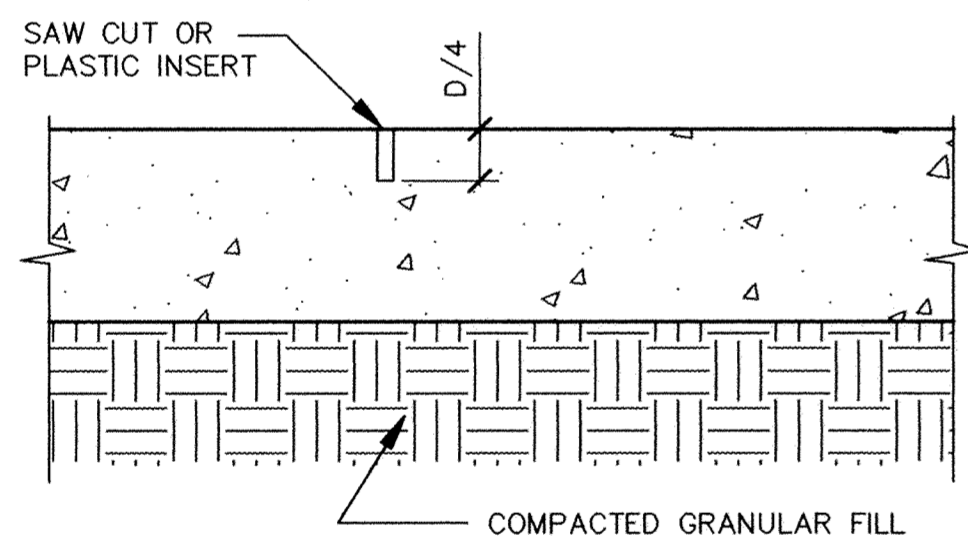
**TYPICAL DOOR HEAD  
PRECAST WALL DETAIL** 1/6  
Scale: 1" = 1'-0"



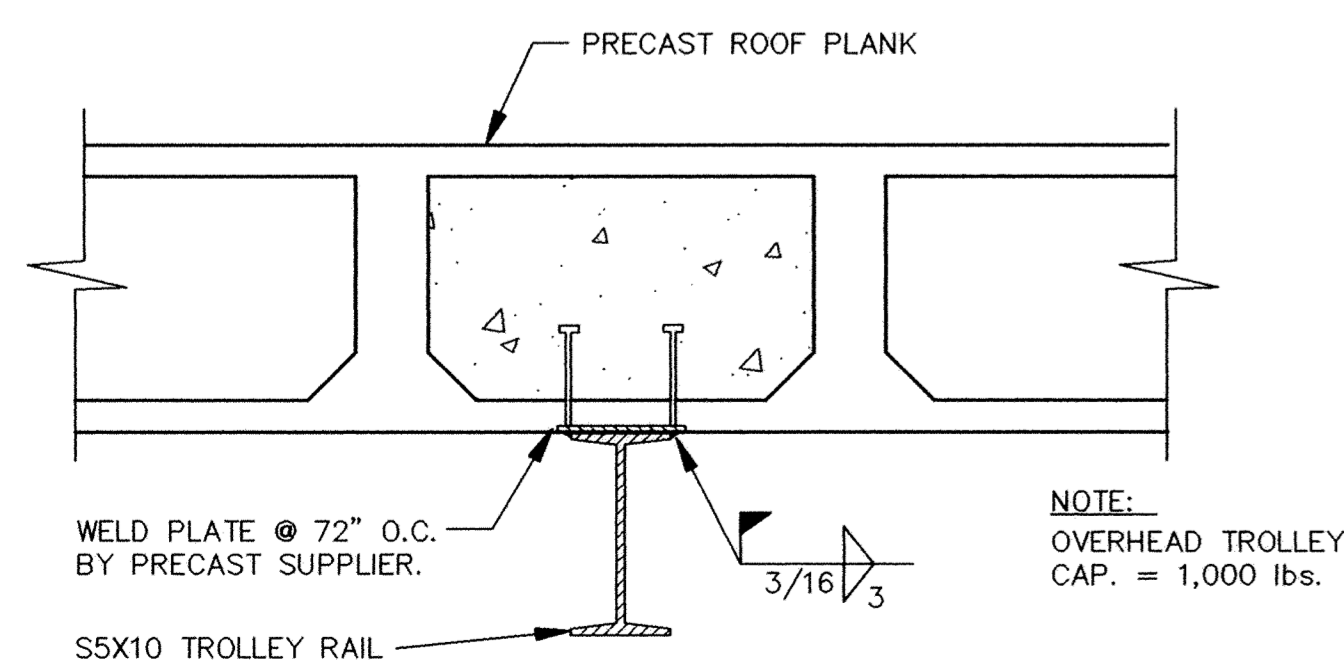
**TYPICAL TROLLEY BUMPER DETAIL** 5/6  
Scale: 1" = 1'-0"



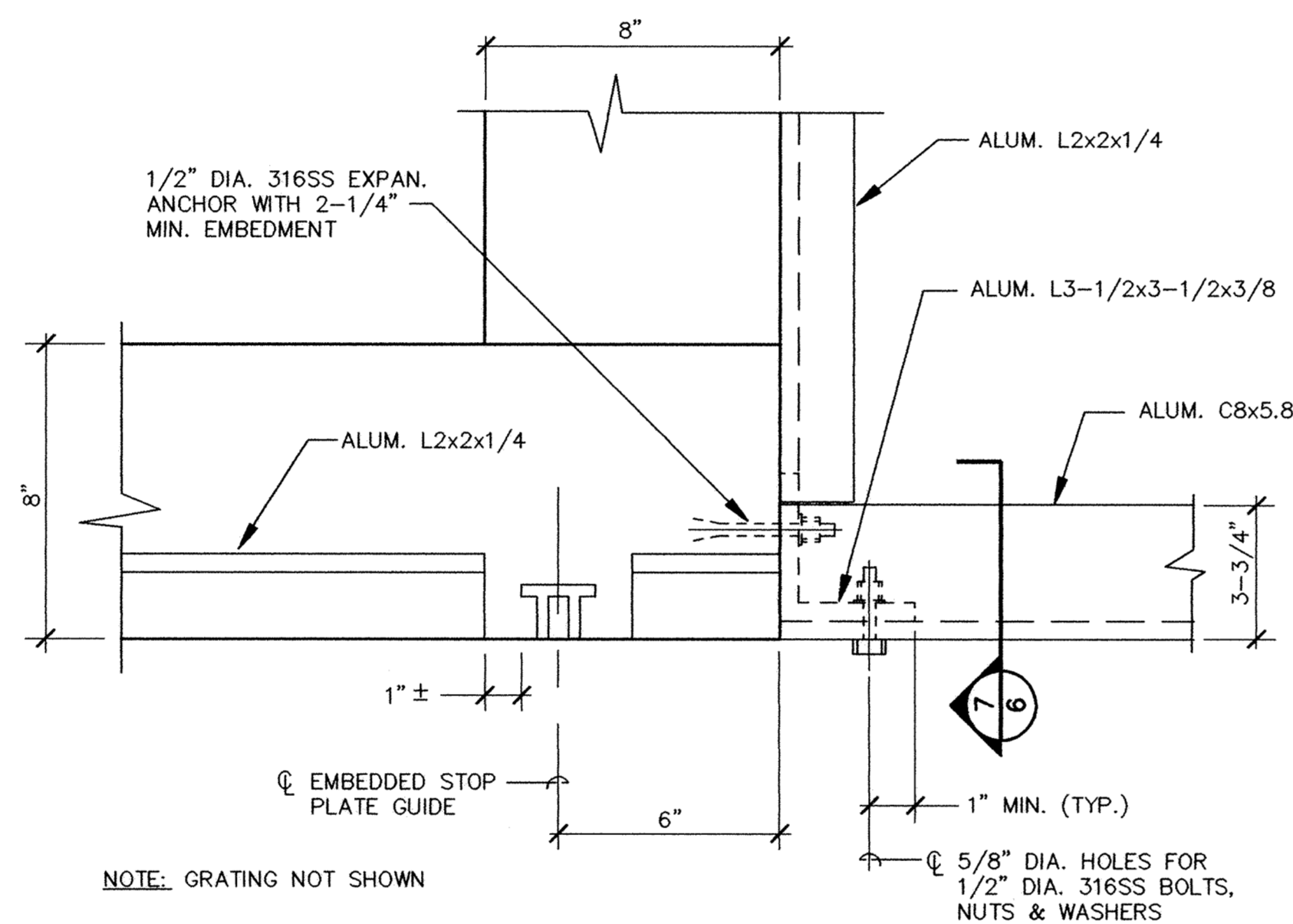
**PRECAST WALL  
CONNECTION DETAIL** 2/6  
Scale: 1 1/2" = 1'-0"



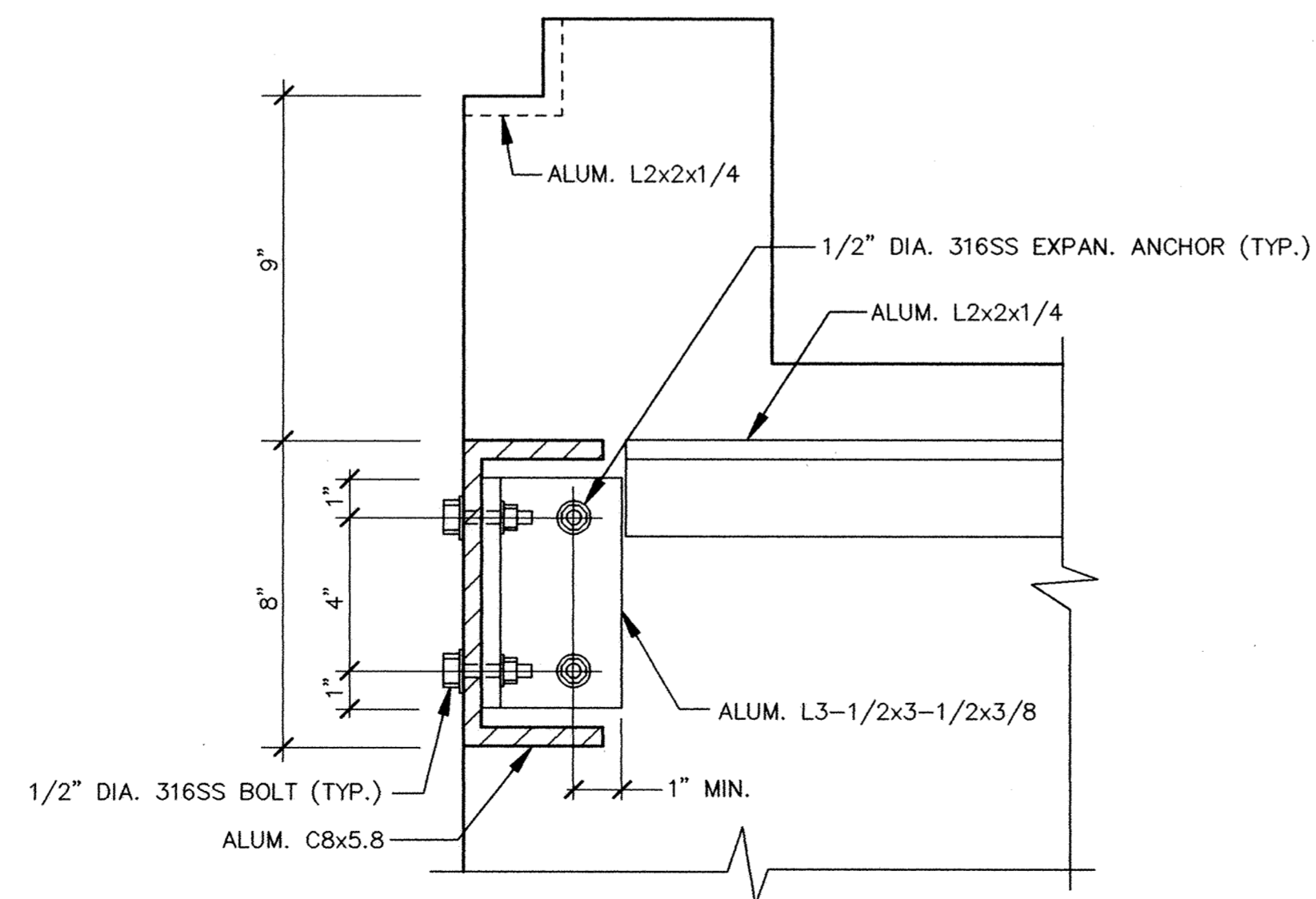
**TYPICAL CONTROL JOINT DETAIL** 3/6  
Scale: 1" = 1'-0"



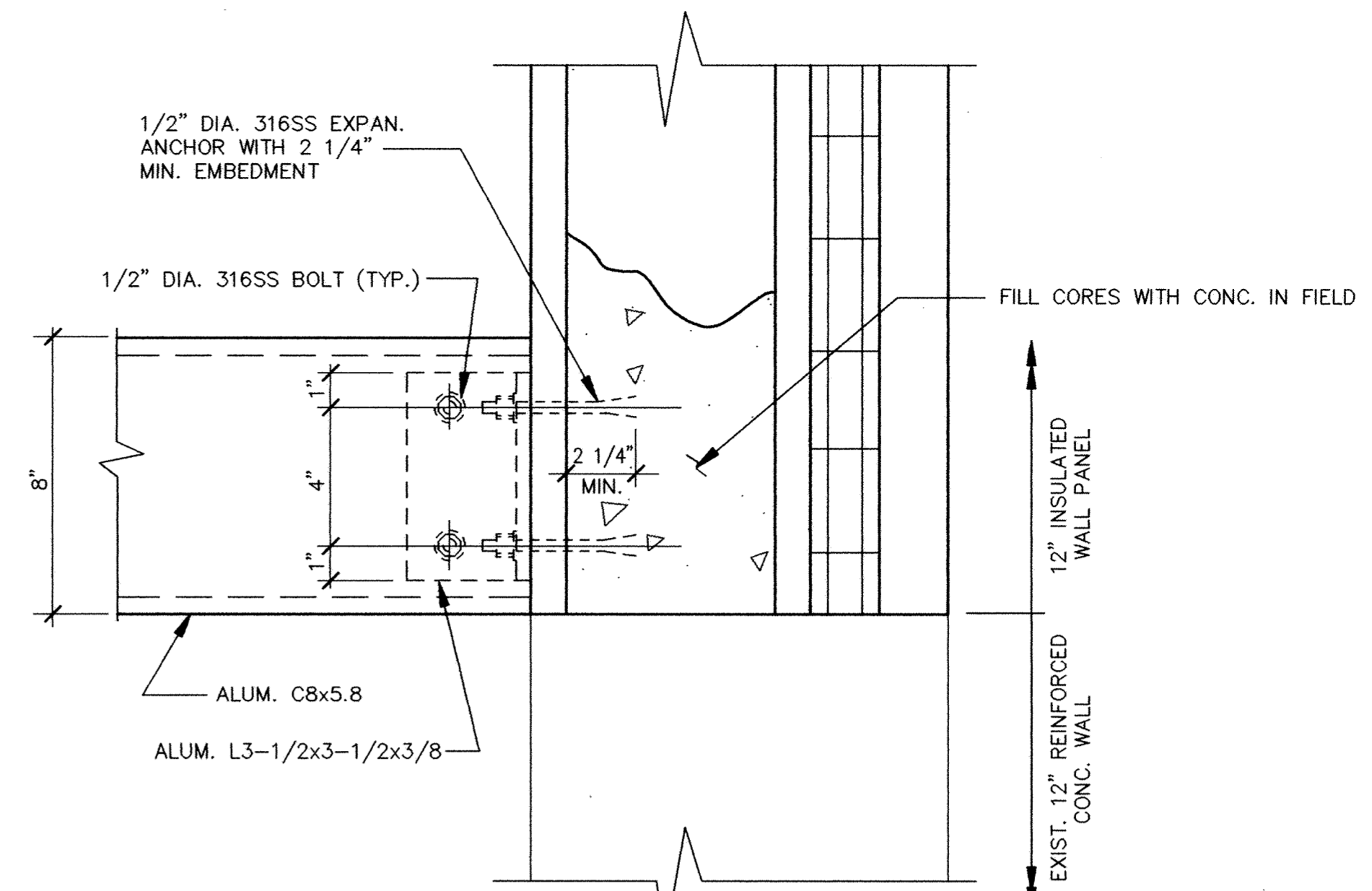
**TYPICAL TROLLEY SUPPORT DETAIL** 4/6  
Scale: 1-1/2" = 1'-0"



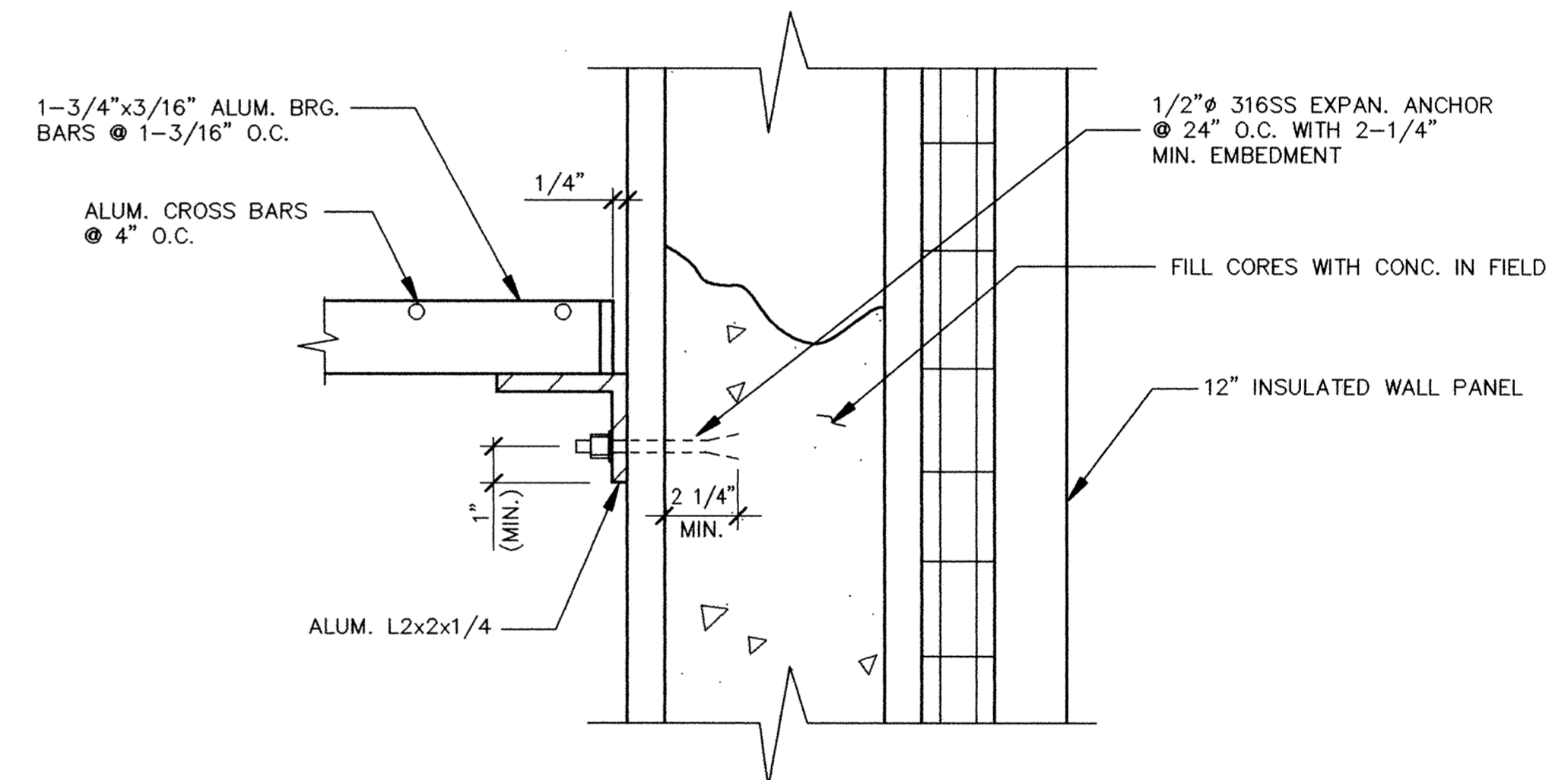
**TYPICAL GRATING SUPPORT DETAIL** 6/6  
Scale: 3" = 1'-0"  
NOTE: GRATING NOT SHOWN



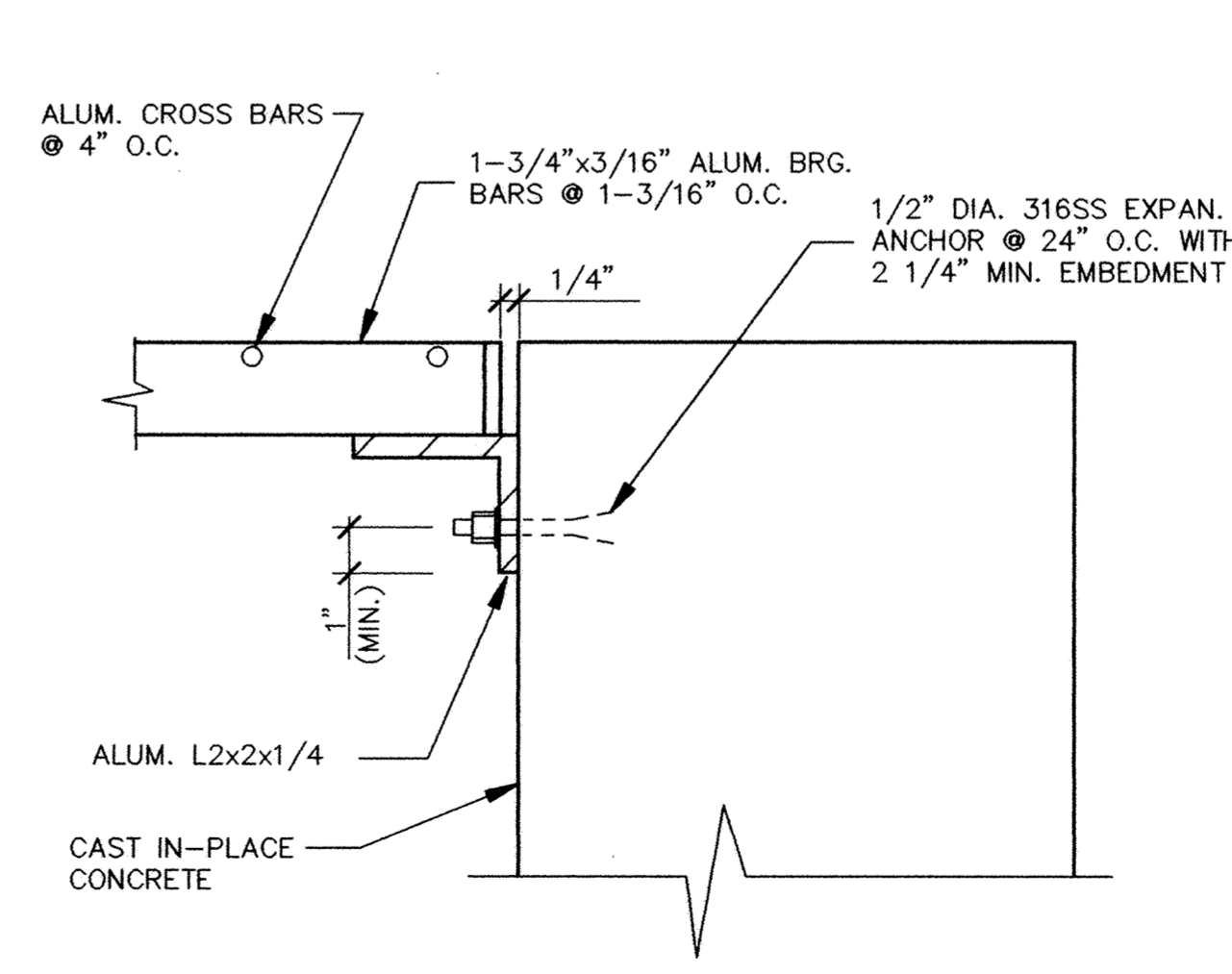
**GRATING SUPPORT SECTION** 7/6  
Scale: 3" = 1'-0"



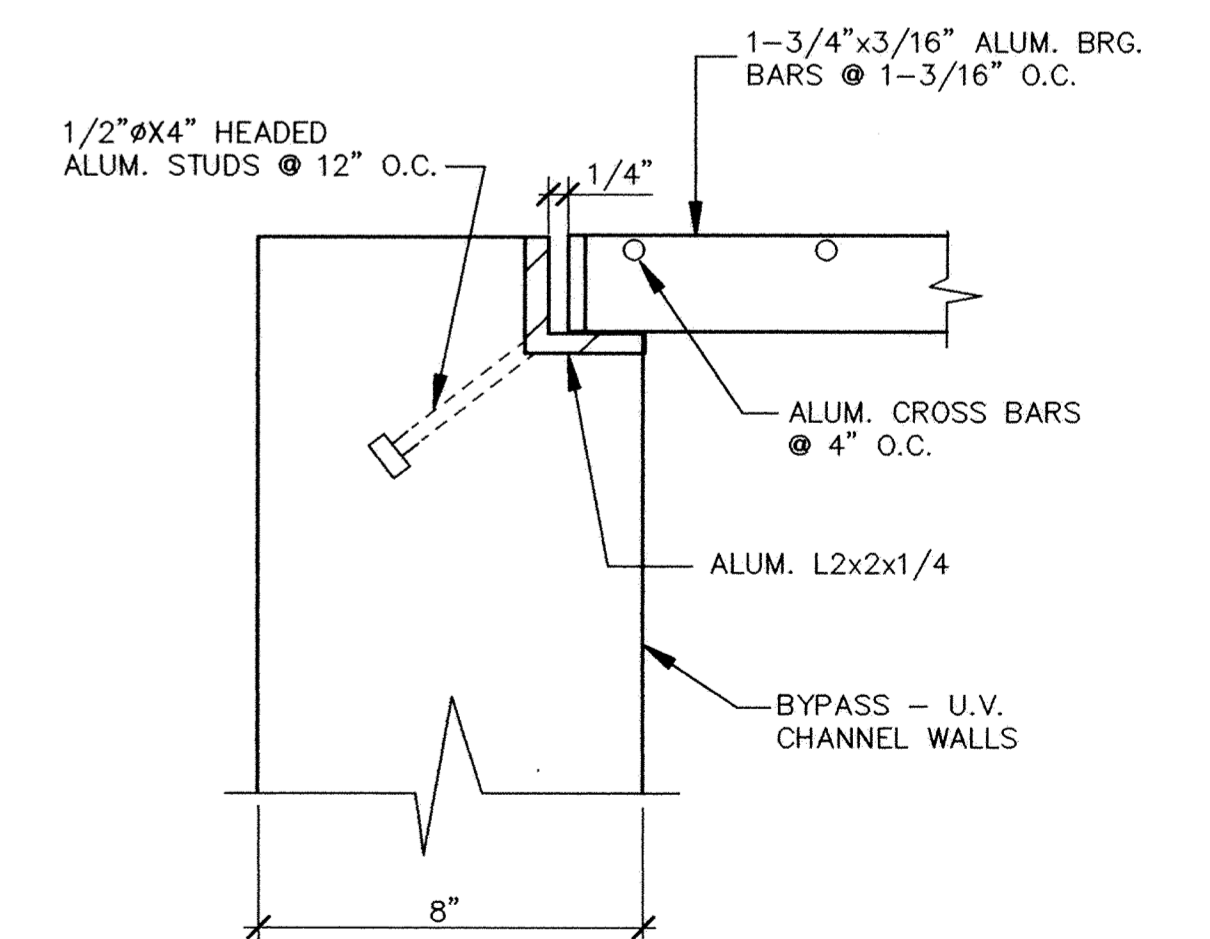
**GRATING SUPPORT SECTION** 8/6  
Scale: 3" = 1'-0"



**GRATING BEARING DETAIL** 9/6  
Scale: 3" = 1'-0"



**GRATING BEARING DETAIL** 10/6  
Scale: 3" = 1'-0"



**GRATING BEARING DETAIL** 11/6  
Scale: 3" = 1'-0"

I HEREBY CERTIFY THAT THIS PLAN, SPECIFICATION, OR REPORT WAS PREPARED BY ME OR UNDER MY DIRECT SUPERVISION AND THAT I AM A DULY REGISTERED PROFESSIONAL ENGINEER UNDER THE LAWS OF THE STATE OF MINNESOTA.  
*Charles J. Jankowski*  
 DATE: 01/16/93 REG. NO. 14576

**Maier Stewart & Associates Inc.**  
 CONSULTING ENGINEERS  
 1959 SLOAN PLACE (612) 774-6021 ST. PAUL, MINNESOTA 55117  
 9800 SHELARD PARKWAY (612) 546-0432 MINNEAPOLIS, MINNESOTA 55441

DATE	DESCRIPTION	DESIGNED - DLC
		CHECKED - DLC/GG
		DRAWN - TB
		GRAPHIC SCALE
		0 HORIZ. VARIES
		0 VERT. VARIES

**CITY OF ELK RIVER  
WASTEWATER TREATMENT PLANT U.V. DISINFECTION  
STRUCTURAL DETAILS**  
 DATE: AUG., 1993 SHEET 6 OF 14 SHEETS PROJECT NO. 230-151