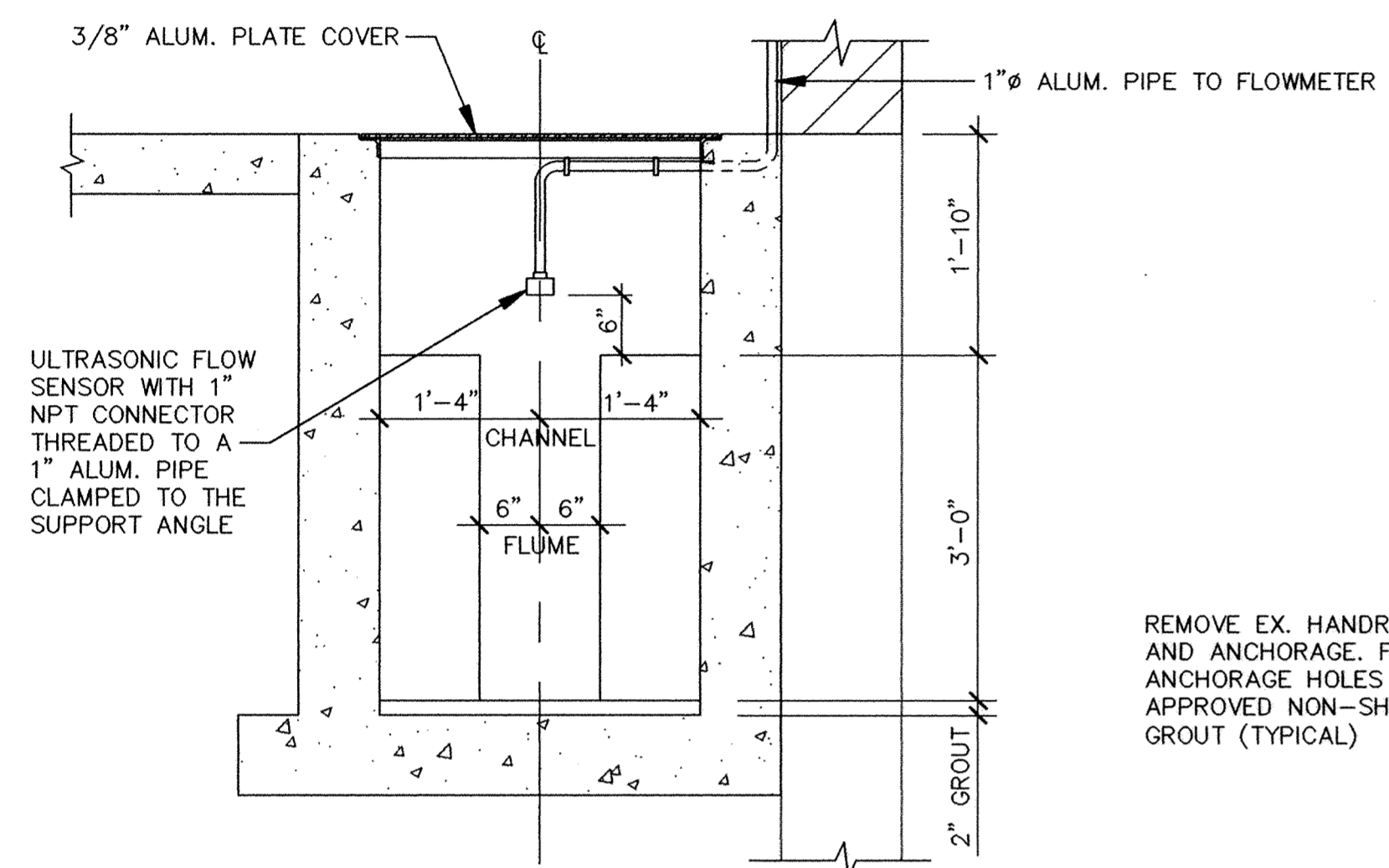
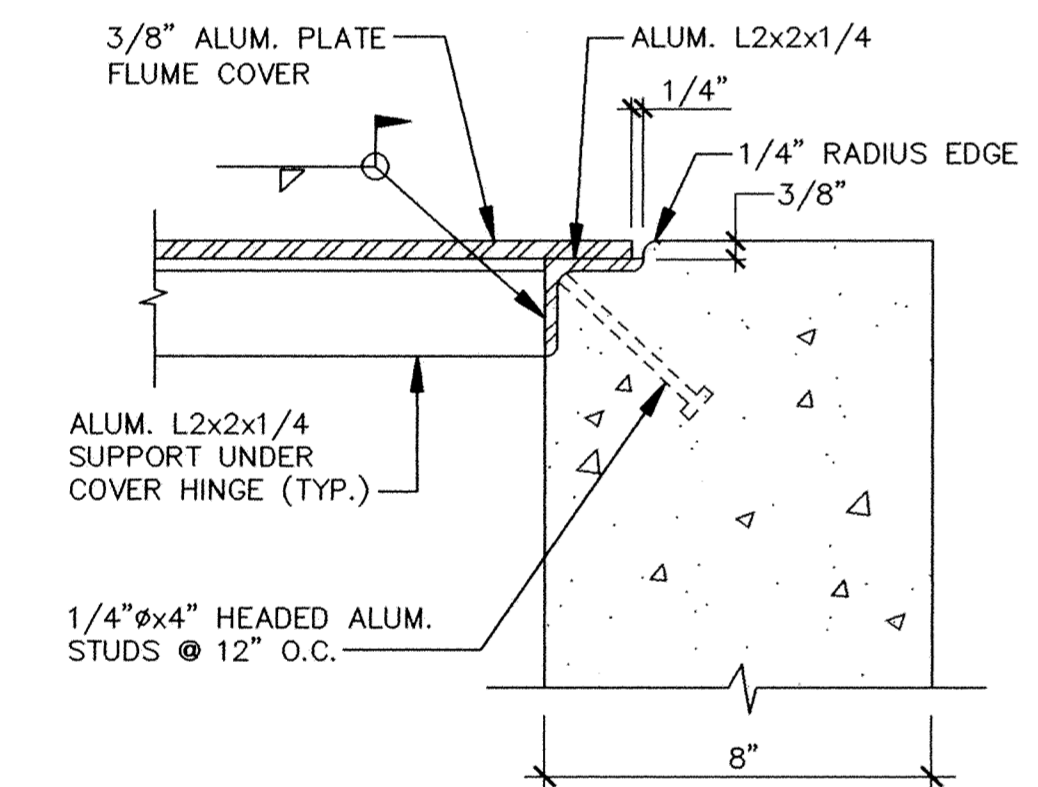


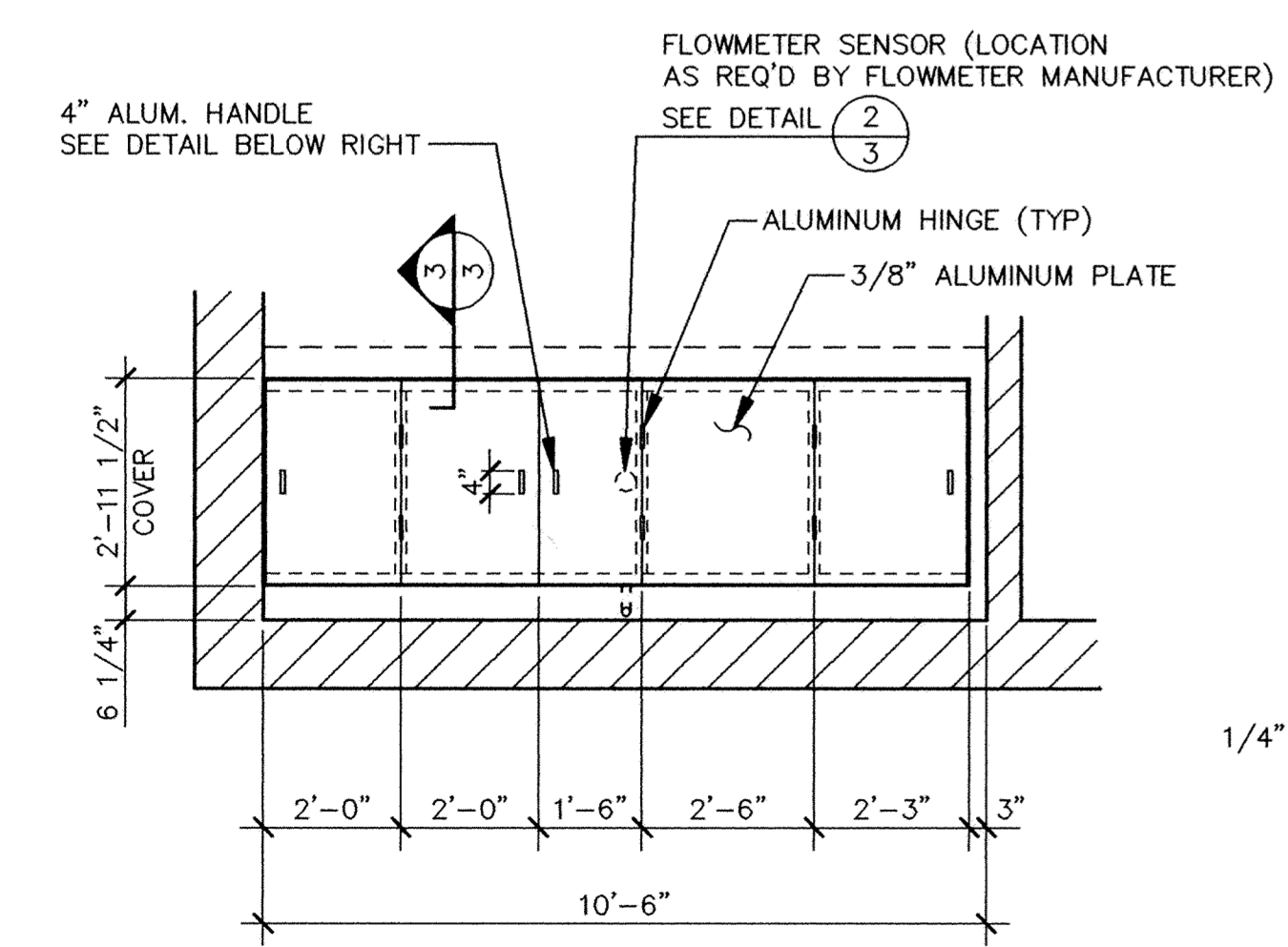
FLUME CHANNEL GRATING DETAIL 1
SCALE 3"=1" **3**



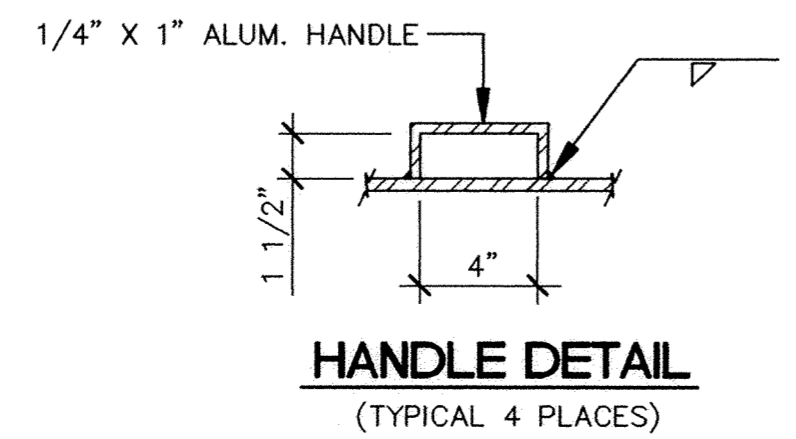
FLOW SENSOR DETAIL 2
SCALE 3/4"=1" **3**



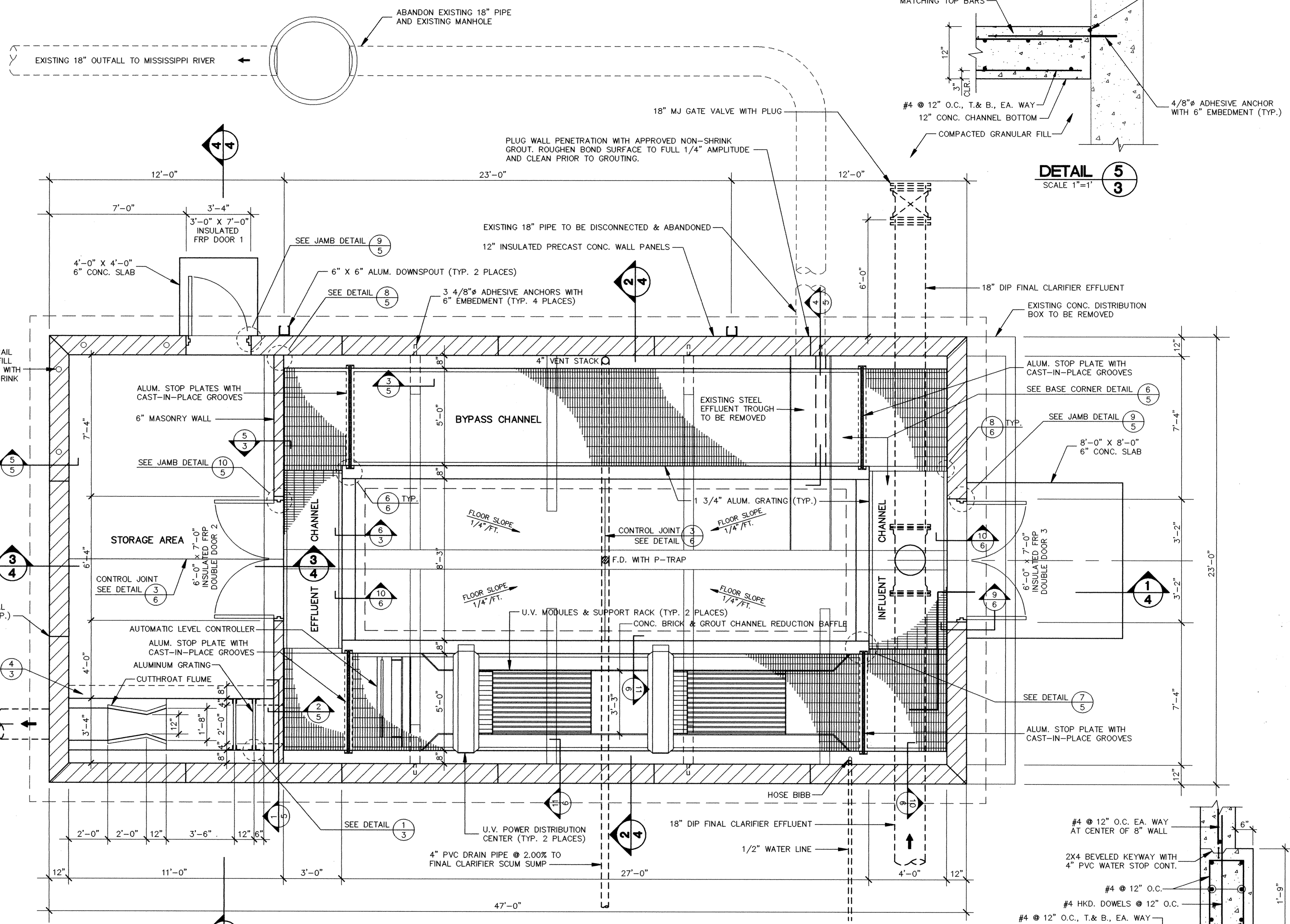
FLUME COVER BEARING SECTION 3
SCALE 3"=1" **3**



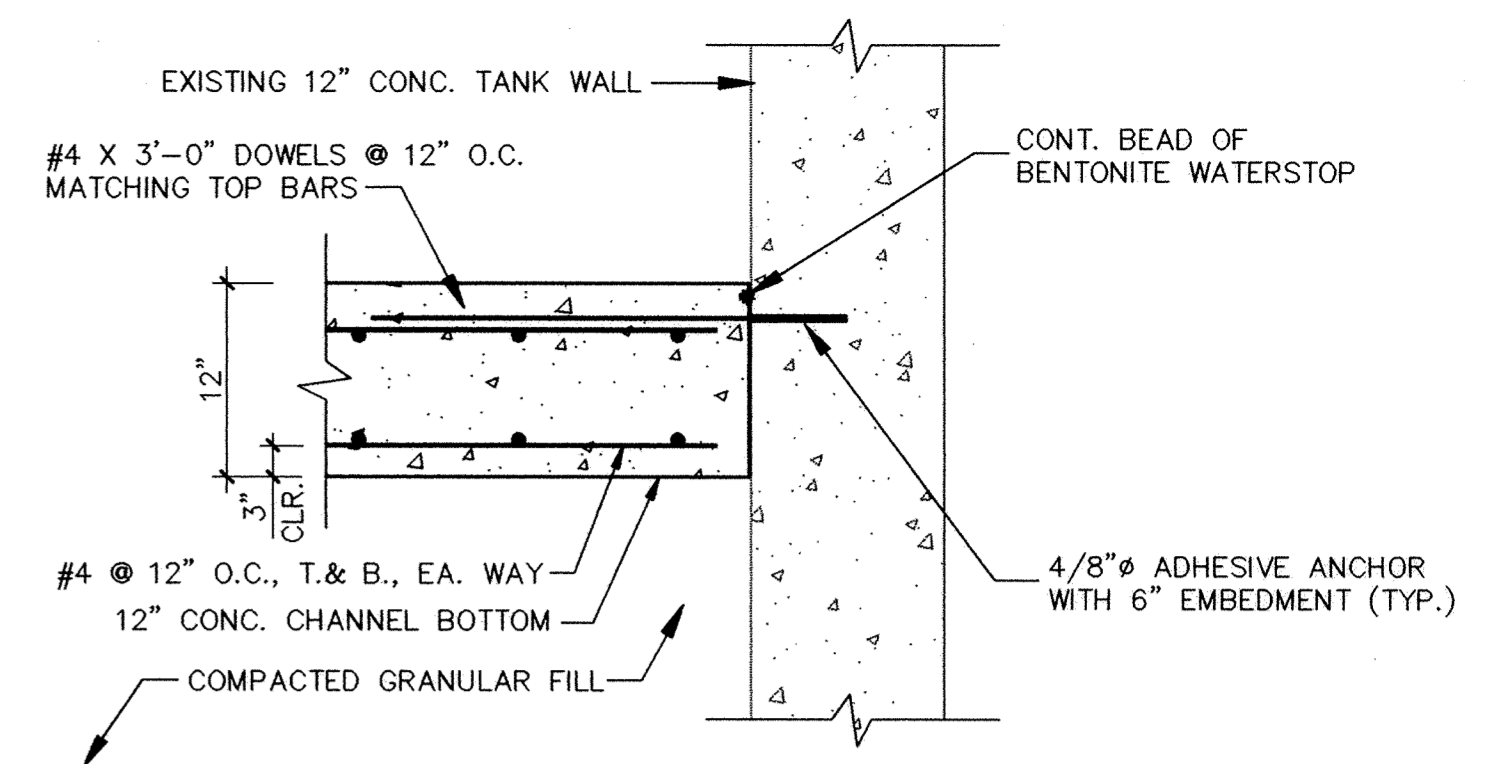
COVER DETAIL 4
SCALE 3/8"=1" **3**



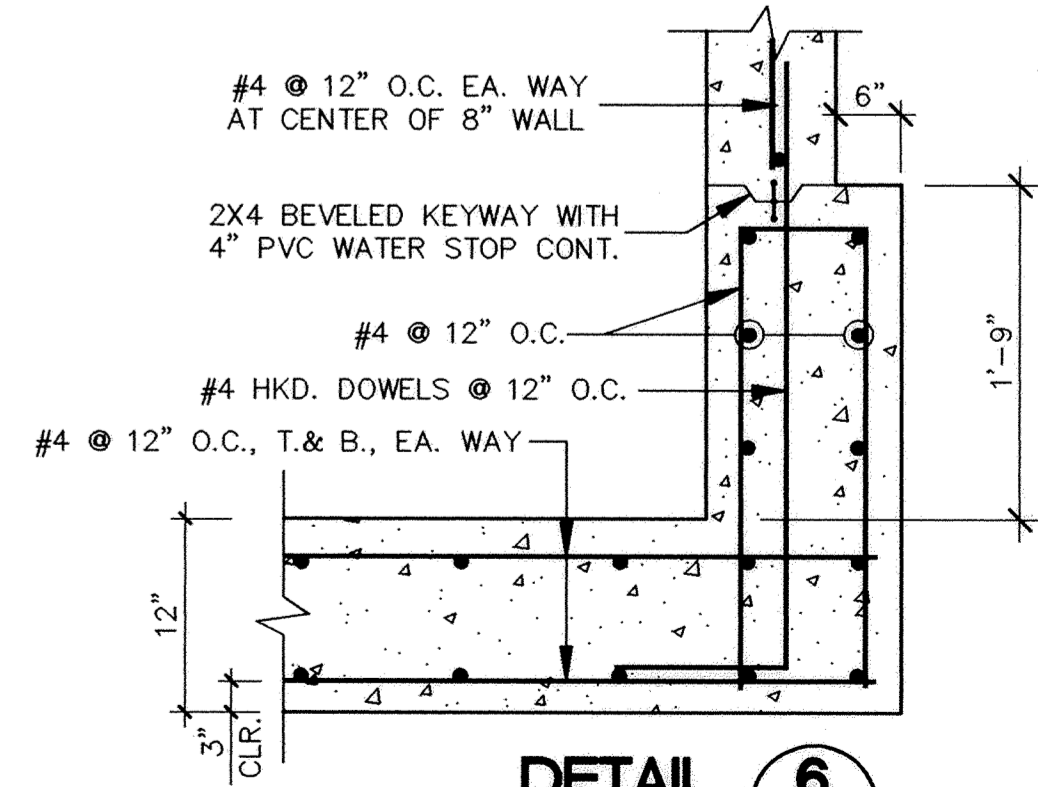
HANDLE DETAIL
(TYPICAL 4 PLACES)



PLAN
SCALE 3/8"=1"



DETAIL 5
SCALE 1"=1" **3**



DETAIL 6
SCALE 1"=1" **3**

I HEREBY CERTIFY THAT THIS PLAN, SPECIFICATION, OR REPORT WAS PREPARED BY ME OR UNDER MY DIRECT SUPERVISION AND THAT I AM A DULY REGISTERED PROFESSIONAL ENGINEER UNDER THE LAWS OF THE STATE OF MINNESOTA.
 Charles Janda
 DATE 01/14/03 REG. NO. 1A596

MSA Maier Stewart & Associates Inc.
 CONSULTING ENGINEERS
 1959 SLOAN PLACE [612] 774-6021 ST. PAUL, MINNESOTA 55117

DATE	DESCRIPTION	DESIGNED BY/DLC	CHECKED BY/CRJ
3/16/93	CHANNEL WIDTH & INLET		
8/16/93	FLUME & DETAILS		

GRAPHIC SCALE
 0 HORIZ. 2.67
 0 VERT. 2.67

CITY OF ELK RIVER
WASTEWATER TREATMENT PLANT U.V. DISINFECTION
PLAN & DETAILS
 DATE OCT. 1992 SHEET 3 OF 14 SHEETS PROJECT NO. 230-151