

COORDINATE LIGHTING BRACKET WITH COVER MANUFACTURER

PROVIDE WALKWAY ALONG HANDRAIL FROM EDGE TO CENTER OF COVER. WALKWAY SHALL BE MOLDED RUBBER WITH SLIP-RESISTANCE SURFACE AS MANUFACTURED BY CARLISLE SYNTAC INCORPORATED (SURE-SEAL WALKWAY ROLL) OR EQUAL. PRODUCT IS AVAILABLE IN 30' X 30" ROLLS TO BE TRIMMED AS REQUIRED. ROLLS SHALL BE COMPRISED OF RUBBER AND A URETHANE BINDER THAT ADHERES EASILY. ADHERE WALKWAY TO INSULATION WITH ROOF-TEK 900 POLYURETHANE SEALANT. COORDINATE WITH INSULATION MANUFACTURER AND SECTION 07219.

INSTALL NEW HEAT EXCHANGER AFTER PRIMARY DIGESTER IMPROVEMENTS ARE COMPLETE. USE EXISTING PIPING WHERE POSSIBLE. COORDINATE REQUIRED PIPE MODIFICATION WITH HEAT EXCHANGER MANUFACTURER.

INSTALL 3'-0" WIDE, 4" THICK PCC SIDEWALK. SEE 1/S-1 FOR SIDEWALK, STAIR, AND RAIL DETAILS.

MOUNT HANDRAIL NEAR OR ON RADIAL BEAM; COORDINATE HANDRAIL CONNECTION WITH COVER MANUFACTURER

SEAL WATER

SEAL WATER DRAIN

SEE DETAIL 3/P-3

EXISTING 3'-6"± EQUIPMENT HATCH

6" OVERFLOW PIPE

COORDINATE GAS PIPING WITH GUARDRAIL

REUSE EXISTING GAS PIPING AND PROVIDE NECESSARY SUPPORT BRACKETS AND INSULATION. COORDINATE W/ COVER MFR.

RECONNECT GAS VENT, PROVIDE GAS CONNECTION IN COVER.

FIXED COVER RADIAL SUPPORT BEAM (TYP.) SEE WELD DETAIL 2/P-1

**1 COVER PLAN**  
SCALE: 1/4"=1'-0"



**FIXED PRIMARY DIGESTER COVER APPURTENANCES**

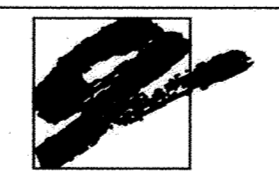
ITEM	DESCRIPTION
1	CENTER RING WITH BOLTED COVER WITH LIFTING HANDLES
2	2 - 36" Ø MANHOLES WITH BOLTED COVER WITH LIFTING HANDLES
3	6" PRESSURE RELIEF-VACUUM BREAKER VALVE W/ FLAME ARRESTER
4	2 - 8" Ø SAMPLE TUBES
5	2 - 8" X 16" SIGHT GLASS
6	2 - 10" Ø FLANGED OPENING FOR LIGHT
7	3" FLANGED CONNECTION FOR GAS PIPE
8	3" GAS VENT VALVE (VAREC)

- NOTES:**
- REFER TO SECTION 01100 FOR CONSTRUCTION SEQUENCE.
  - COAT NEW PIPE, VALVES, & FITTINGS PER SECTION 09900. MATCH EXISTING COLORS AND LABEL PIPING.
  - INSULATE COVER PER SPEC SECTION 07219. LIMITS OF INSULATION SHALL INCLUDE ENTIRE COVER SURFACE, VERTICAL PORTION OF COVER APPURTENANCES (HATCH, SAMPLE TUBE, ETC.), AND VERTICAL PORTION OF COVER BETWEEN PLATES. PROTECT PLATES AROUND PERIMETER OF TANK FROM SPRAY INSULATION.

**RECORD DRAWING**

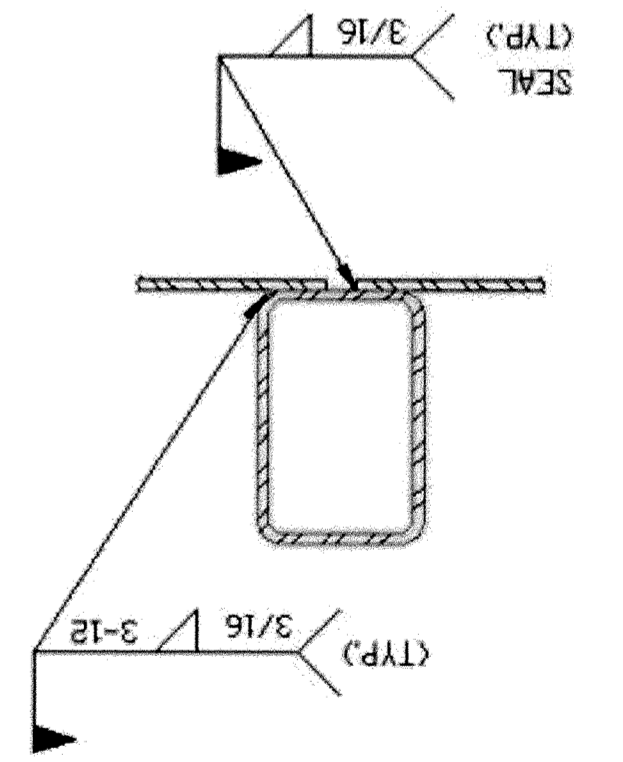
THIS DRAWING HAS BEEN REVISED TO REPRESENT THE RECORDS OF CONSTRUCTION AS BASED UPON BEST RECORDED INFORMATION AT THE TIME OF COMPLETION OF WORK SET FORTH ON THE DRAWING.

HOWARD R. GREEN COMPANY SHALL NOT BE RESPONSIBLE FOR ANY ERRORS OR OMISSIONS THAT MAY HAVE BEEN INCORPORATED AS A RESULT OF ERRONEOUS INFORMATION PROVIDED BY OTHERS.



DATE: MAY 2005

Howard R. Green Company



**2 WELD DETAIL**

SCALE: 1/4"=1'-0"

- NOTES:**
- PROVIDE CONTINUOUS WELD ON INTERIOR SEAMS AND SKIP WELD ON EXTERIOR SEAMS.

DESIGNED BY: DRH DRAWN BY: CRR  
 APPROVED BY: JRR JOB NUMBER 822550J  
 CAD DATE: June 29, 2006 2:27:38 p.m.  
 CAD FILE: 822550J\As-Built\Dwgs\P-P-1.DWG (JMESS)

I HEREBY CERTIFY THAT THIS PLAN, SPECIFICATION, OR REPORT WAS PREPARED BY ME OR UNDER MY DIRECT SUPERVISION AND THAT I AM A DULY LICENSED PROFESSIONAL ENGINEER UNDER THE LAWS OF THE STATE OF MINNESOTA.

SIGNATURE \_\_\_\_\_ DATE \_\_\_\_\_  
 PRINTED NAME JAMES R. RASMUSSEN UC.NO. 42052

NO.	DATE	BY	REVISION DESCRIPTION
1	05/24/05	DRH	RECORD DRAWINGS

Howard R. Green Company

**WWTP PRIMARY DIGESTER IMPROVEMENTS**  
 CITY OF ELK RIVER  
 ELK RIVER, MINNESOTA 2004

PROCESS  
**PRIMARY DIGESTER/DIGESTER BUILDING**  
 COVER/UPPER LEVEL PLAN

SHEET NO.  
**P-1**