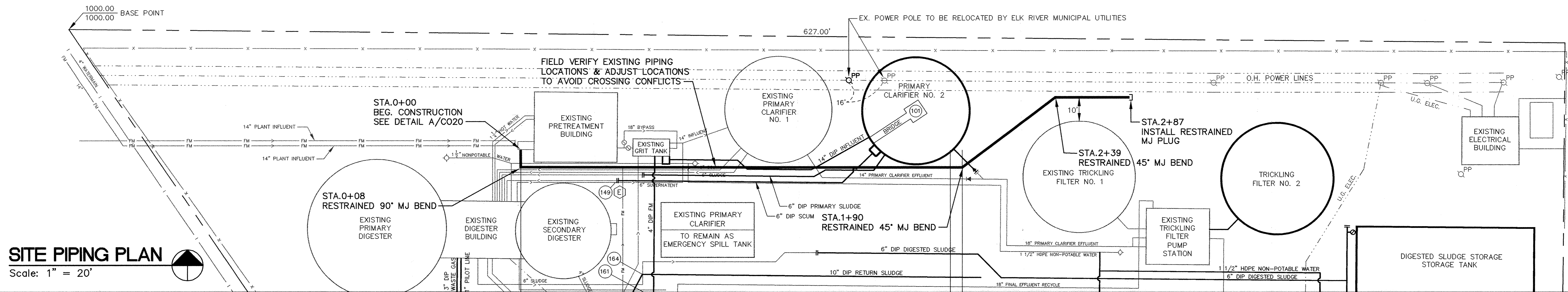
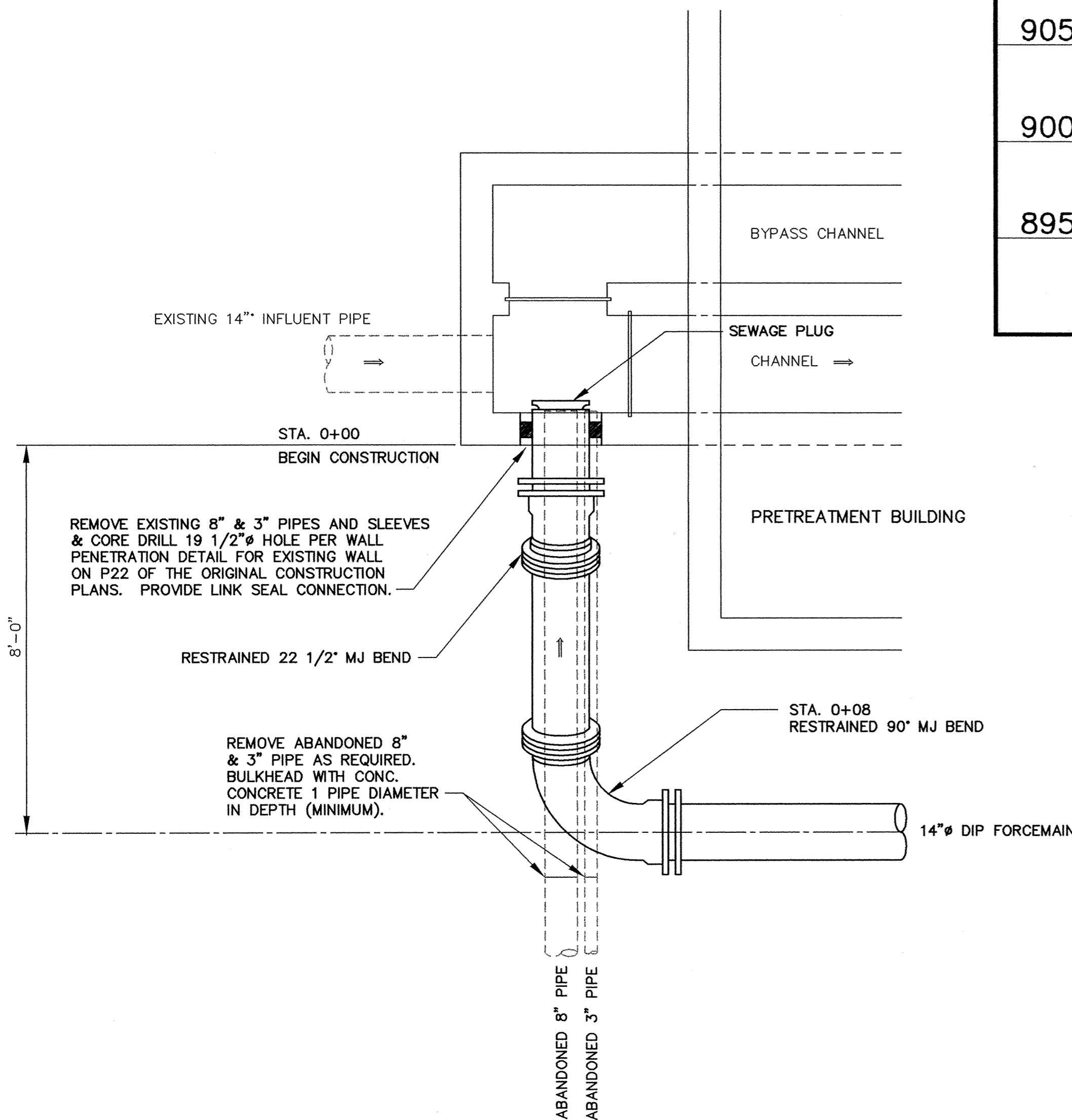
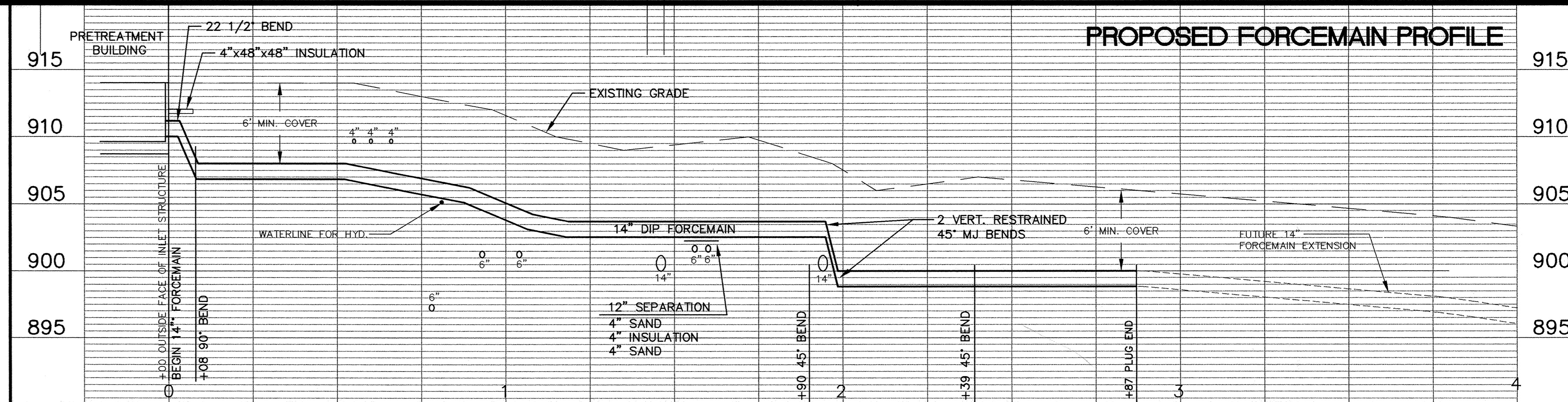


SITE PIPING PLAN

Scale: 1" = 20'

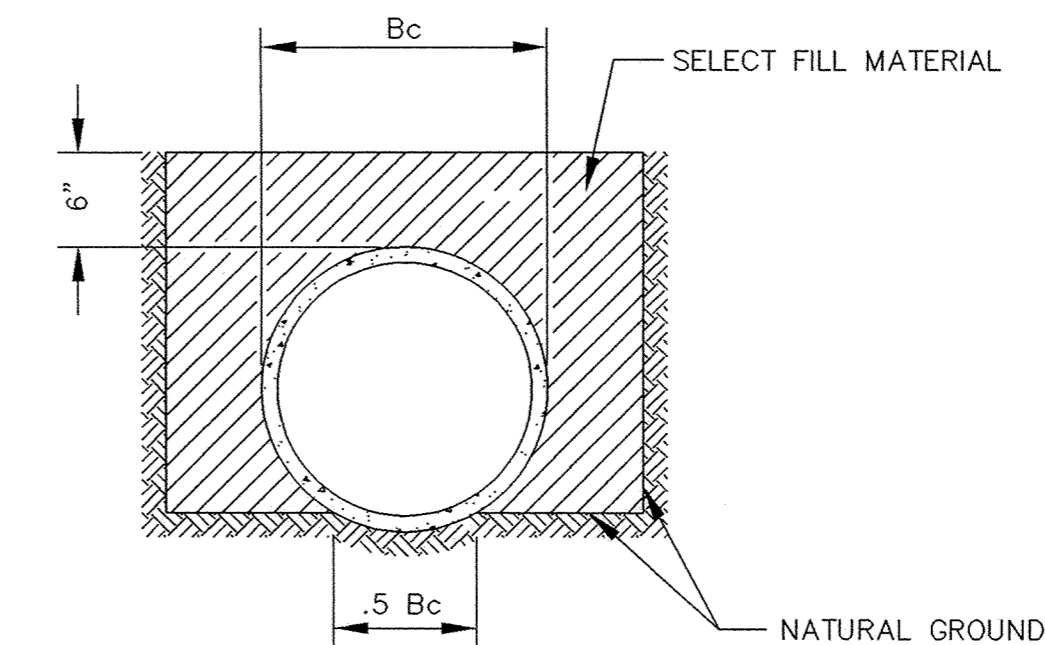


PROPOSED FORCEMAIN PROFILE



DETAIL

Scale: 1/2" = 1'-0" CO20



NOTE:
THE BOTTOM OF THE TRENCH SHALL BE SHAPED TO FIT THE PIPE BARREL FOR AT LEAST 50% OF THE OUTSIDE DIAMETER. THE REMAINDER OF THE PIPE IS SURROUNDED TO A HEIGHT OF AT LEAST 6" ABOVE ITS TOP BY SELECT FILL MATERIAL, PLACED BY HAND TOOLS AND COMPACTED TO COMPLETELY FILL ALL SPACES UNDER AND ADJACENT TO THE PIPE.

ALL COSTS OF EXCAVATION BELOW GRADE AND PLACEMENT OF GRANULAR BEDDING MATERIAL SHALL BE INCLUDED IN THE BID PRICES FOR PIPE ITEMS.

CLASS C PIPE BEDDING

NOTES

EXCAVATION MAY REQUIRE SHEET PILING OR OTHER METHOD OF SOIL STABILIZATION TO PROTECT EXISTING STRUCTURES. THE ENGINEER SHALL BE NOTIFIED PRIOR TO EXCAVATION. SEE SOILS REPORT FOR ADDITIONAL INFORMATION AND RECOMMENDATIONS.

THE CONTRACTOR SHALL BE RESPONSIBLE FOR VERIFYING LOCATION & SIZE OF EXISTING PIPING AND FOR FURNISHING ANY FITTINGS OR APPURTENANT ITEMS NECESSARY FOR MAKING ELEVATION CHANGES TO AVOID EXISTING PIPES ENCOUNTERED.

I HEREBY CERTIFY THAT THIS PLAN, SPECIFICATION, OR REPORT WAS PREPARED BY ME OR UNDER MY DIRECT SUPERVISION AND THAT I AM A DULY REGISTERED PROFESSIONAL ENGINEER UNDER THE LAWS OF THE STATE OF MINNESOTA.

DATE _____ REG. NO. _____



1326 ENERGY PARK DRIVE
ST. PAUL, MINNESOTA 55108
(612) 644-4389

REVISIONS	DATE	DESCRIPTION	DESIGNED	BC	GG
			CHECKED	TAR	
			DRAWN	BEL	
			GRAPHIC SCALE		
			0	HORIZ.	20
			0	VERT.	20

CITY OF ELK RIVER
WASTEWATER TREATMENT FACILITY UPGRADE
CHANGE ORDER NO. 20
FUTURE FORCEMAIN PLAN & PROFILE

CO20

DATE OCT. 1996 SHEET 1 OF 1 SHEETS PROJECT NO. 230-151