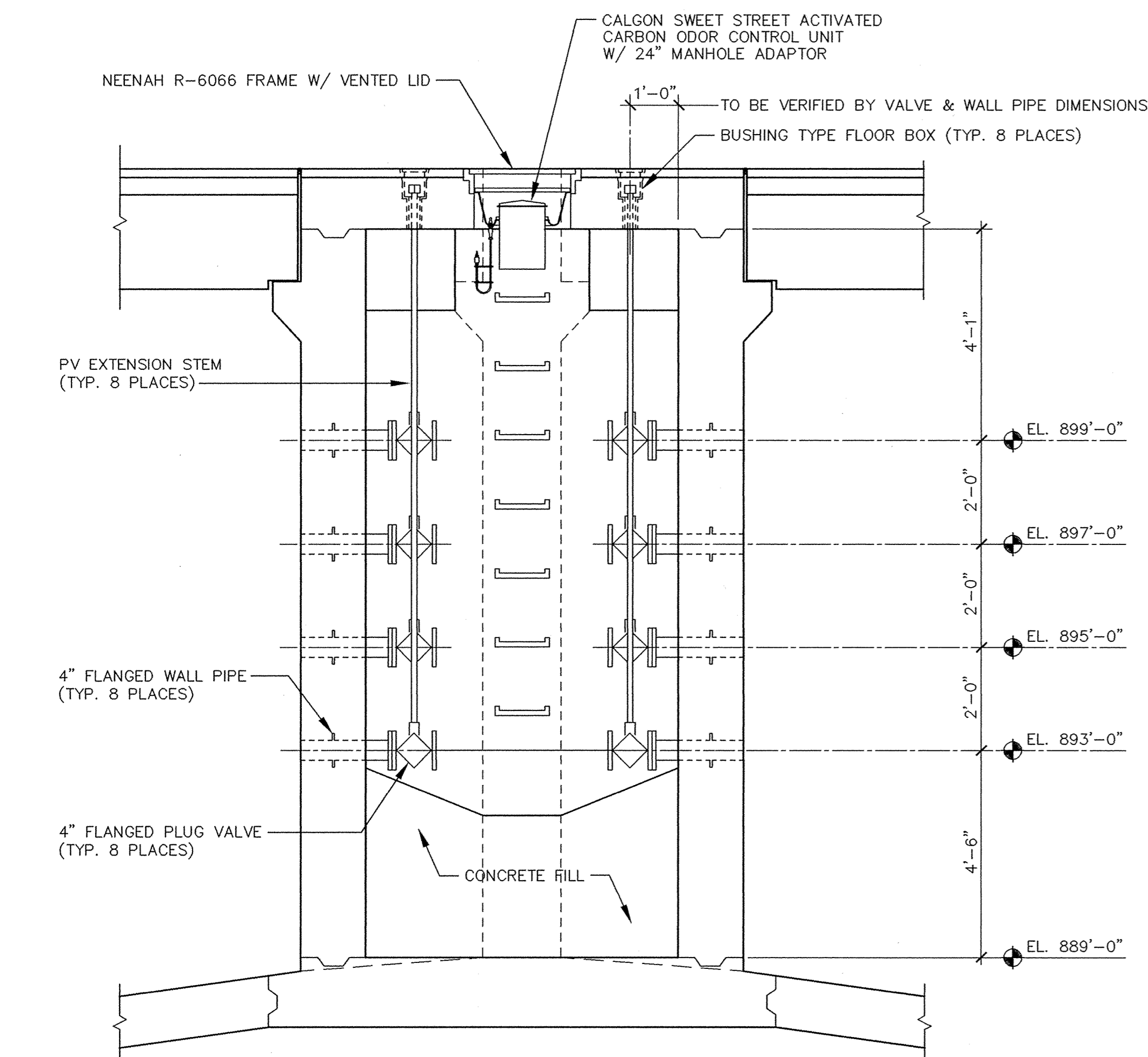
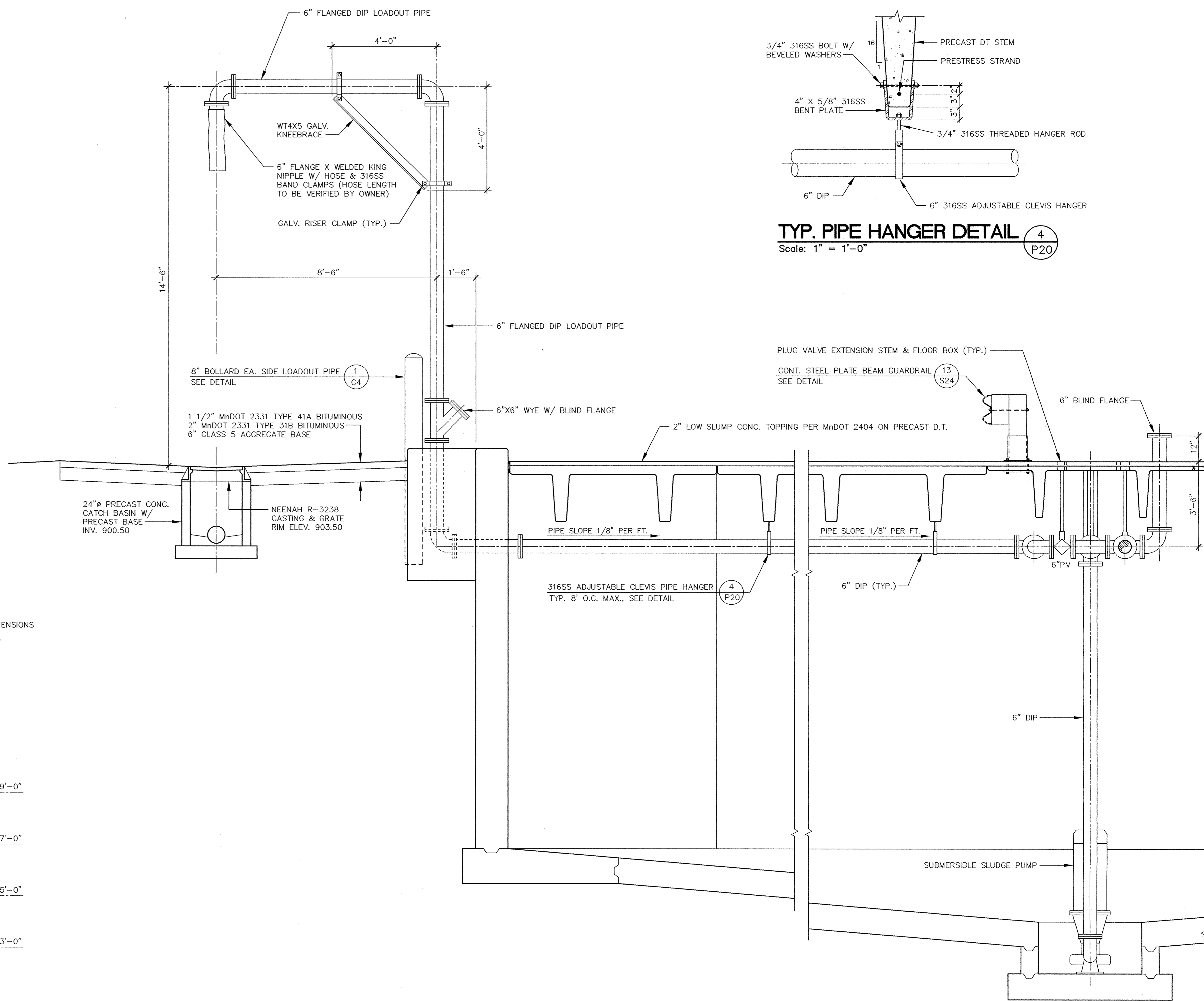


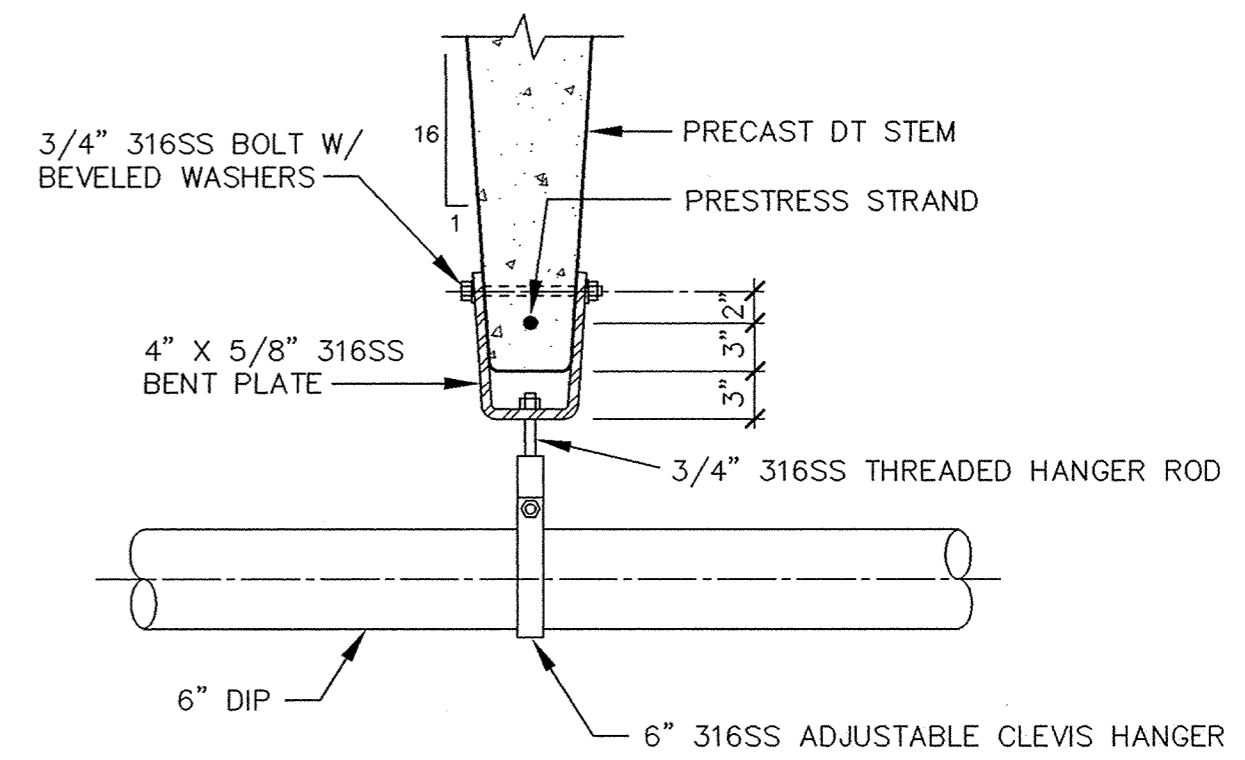
SUPERNATENT PIT SECTION 2
Scale: 1/2" = 1'-0"



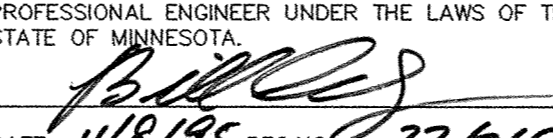

SUPERNATENT PIT SECTION 3
Scale: 1/2" = 1'-0"



TYPICAL LOADOUT PIPE SECTION 1
Scale: 1/2" = 1'-0"



TYP. PIPE HANGER DETAIL 4
Scale: 1" = 1'-0"

I HEREBY CERTIFY THAT THIS PLAN, SPECIFICATION, OR REPORT WAS PREPARED BY ME OR UNDER MY DIRECT SUPERVISION AND THAT I AM A DULY REGISTERED PROFESSIONAL ENGINEER UNDER THE LAWS OF THE STATE OF MINNESOTA.  DATE 11/8/95 REG. NO. 22610		1326 ENERGY PARK DRIVE ST. PAUL, MINNESOTA 55108 (612) 644-4389 9800 SHELARD PARKWAY MINNEAPOLIS, MINNESOTA 55441 (612) 546-0432	DESIGNED BC_GG CHECKED TAR DRAWN GG	CITY OF ELK RIVER WASTEWATER TREATMENT FACILITY UPGRADE DIGESTED SLUDGE STORAGE TANK PIPING SECTIONS	P20
			GRAPHIC SCALE 0 HORIZ. 2.00 0 VERT. 2.00		

REV. NOV. 8 10:36:44 1995