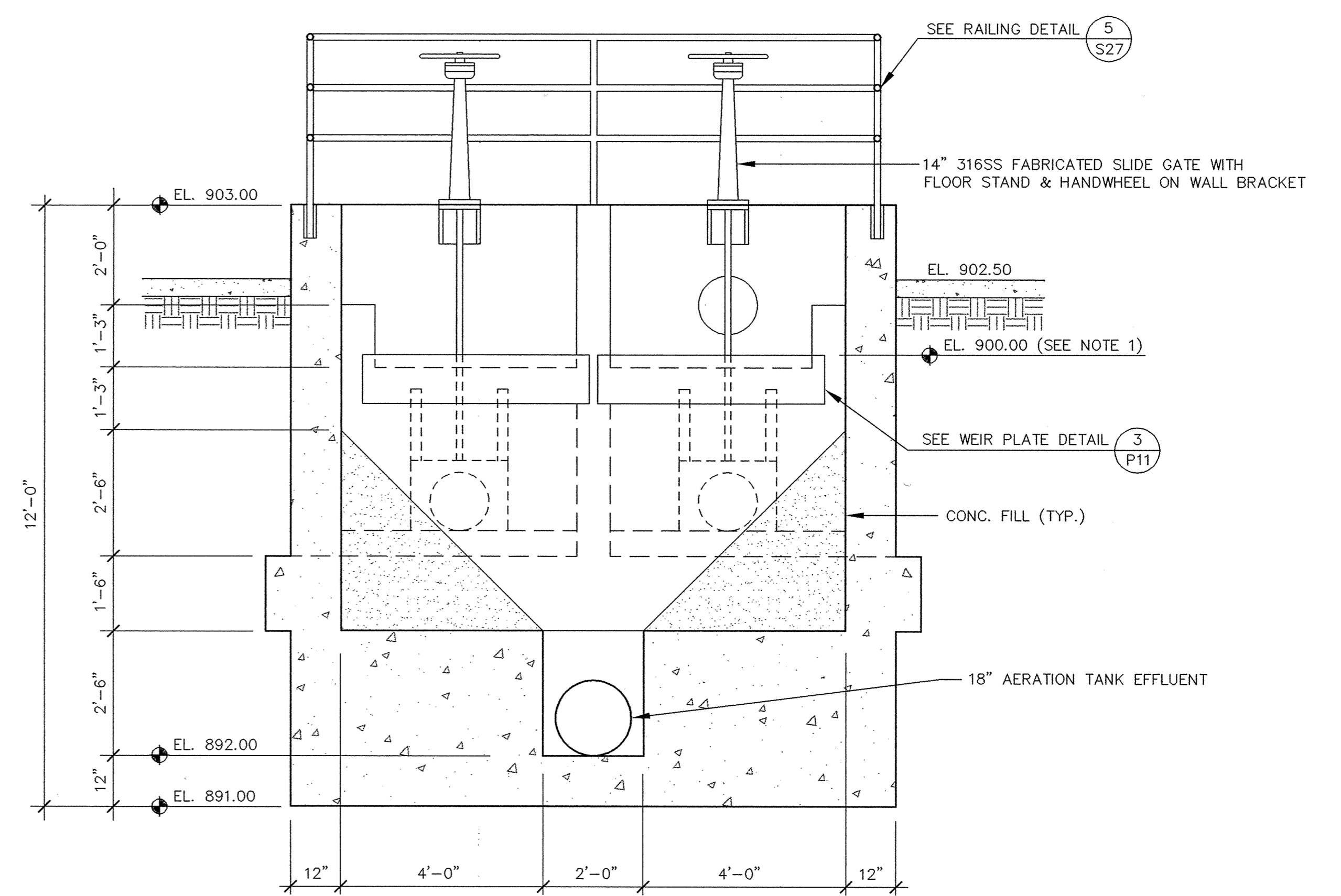
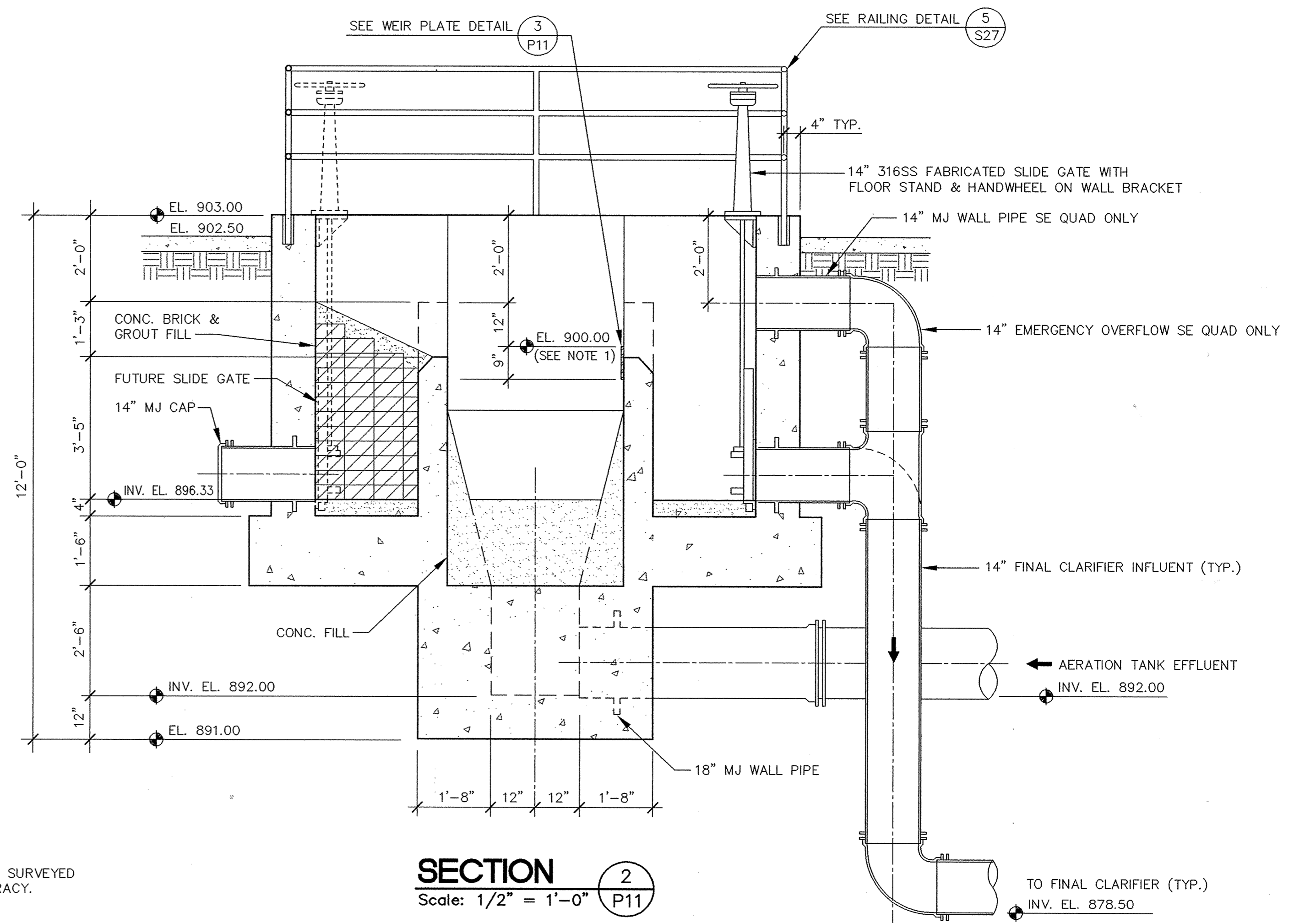


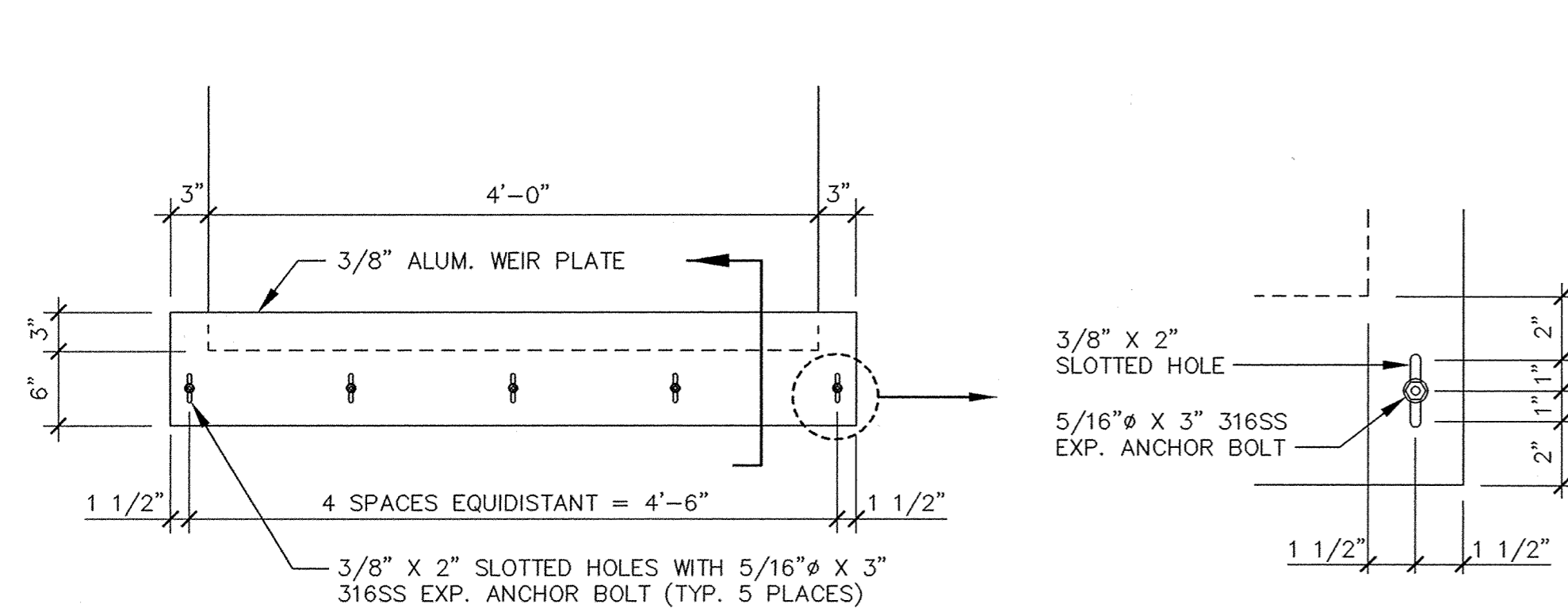
**SPPLITER BOX PLAN**  
Scale: 1/2" = 1'-0"



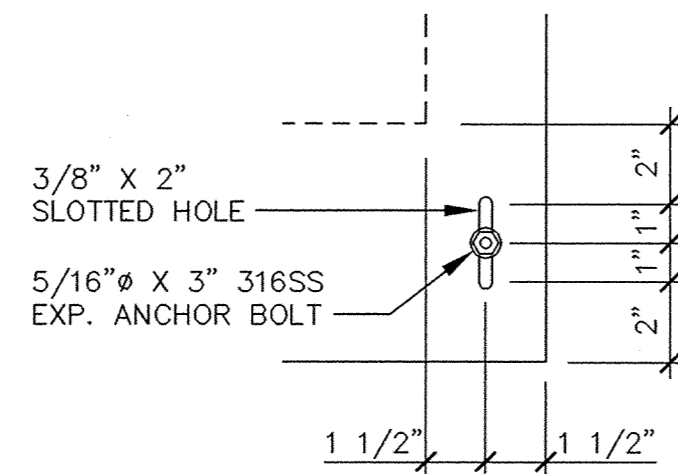
**SECTION 1**  
Scale: 1/2" = 1'-0" P11



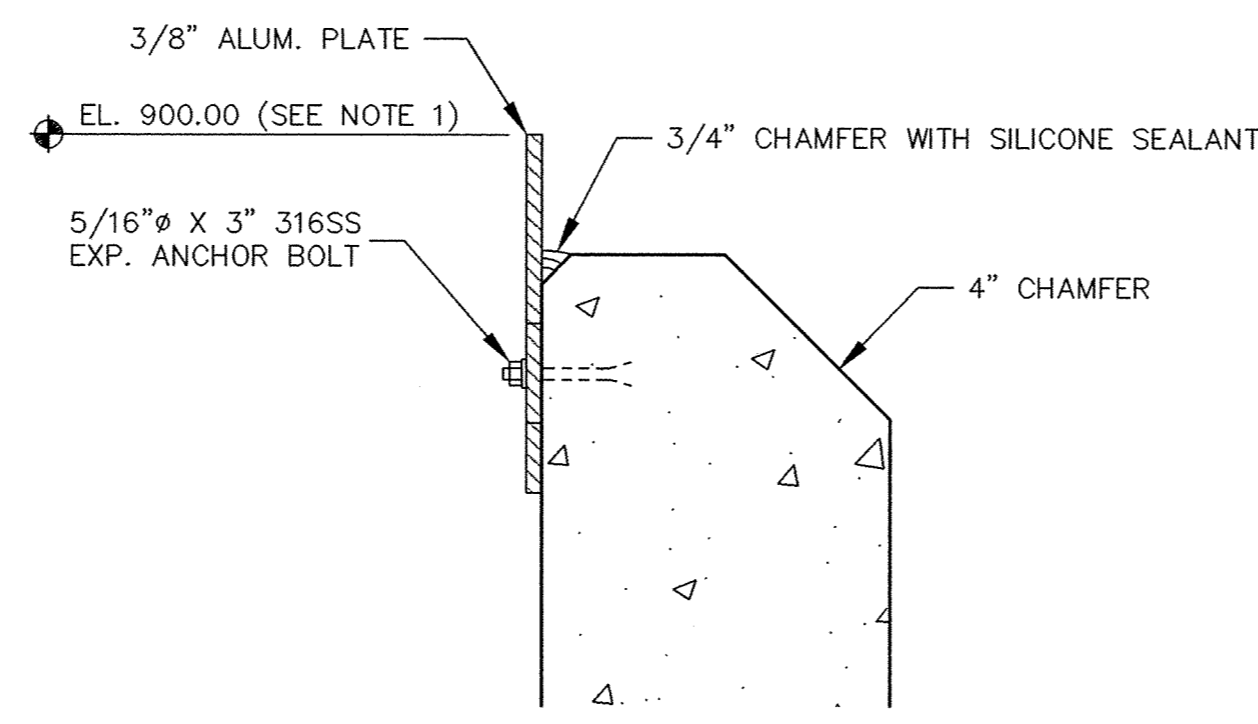
**SECTION 2**  
Scale: 1/2" = 1'-0" P11



**WEIR PLATE ELEVATION**



**ANCHOR BOLT DETAIL**  
No Scale



**SECTION**  
No Scale

**WEIR PLATE DETAIL 3**  
Scale: 1" = 1'-0" P11

NOTE 1.  
ALL WEIR ELEVATIONS SHOULD BE SURVEYED AND ADJUSTED TO ±1/16" ACCURACY.

I HEREBY CERTIFY THAT THIS PLAN, SPECIFICATION, OR REPORT WAS PREPARED BY ME OR UNDER MY DIRECT SUPERVISION AND THAT I AM A DULY REGISTERED PROFESSIONAL ENGINEER UNDER THE LAWS OF THE STATE OF MINNESOTA.  
*[Signature]*  
DATE 11/8/95 REG. NO. 22610



1326 ENERGY PARK DRIVE  
ST. PAUL, MINNESOTA 55108  
(612) 644-4389  
9800 SHELARD PARKWAY  
MINNEAPOLIS, MINNESOTA 55441  
(612) 546-0432

REVISIONS	DATE	DESCRIPTION	DESIGNED BC GG	CHECKED TAR	DRAWN GG

GRAPHIC SCALE  
0 HORIZ. 2  
0 VERT. 2

CITY OF ELK RIVER  
WASTEWATER TREATMENT FACILITY UPGRADE  
SPPLITER BOX  
PROCESS PLAN & SECTIONS

P11