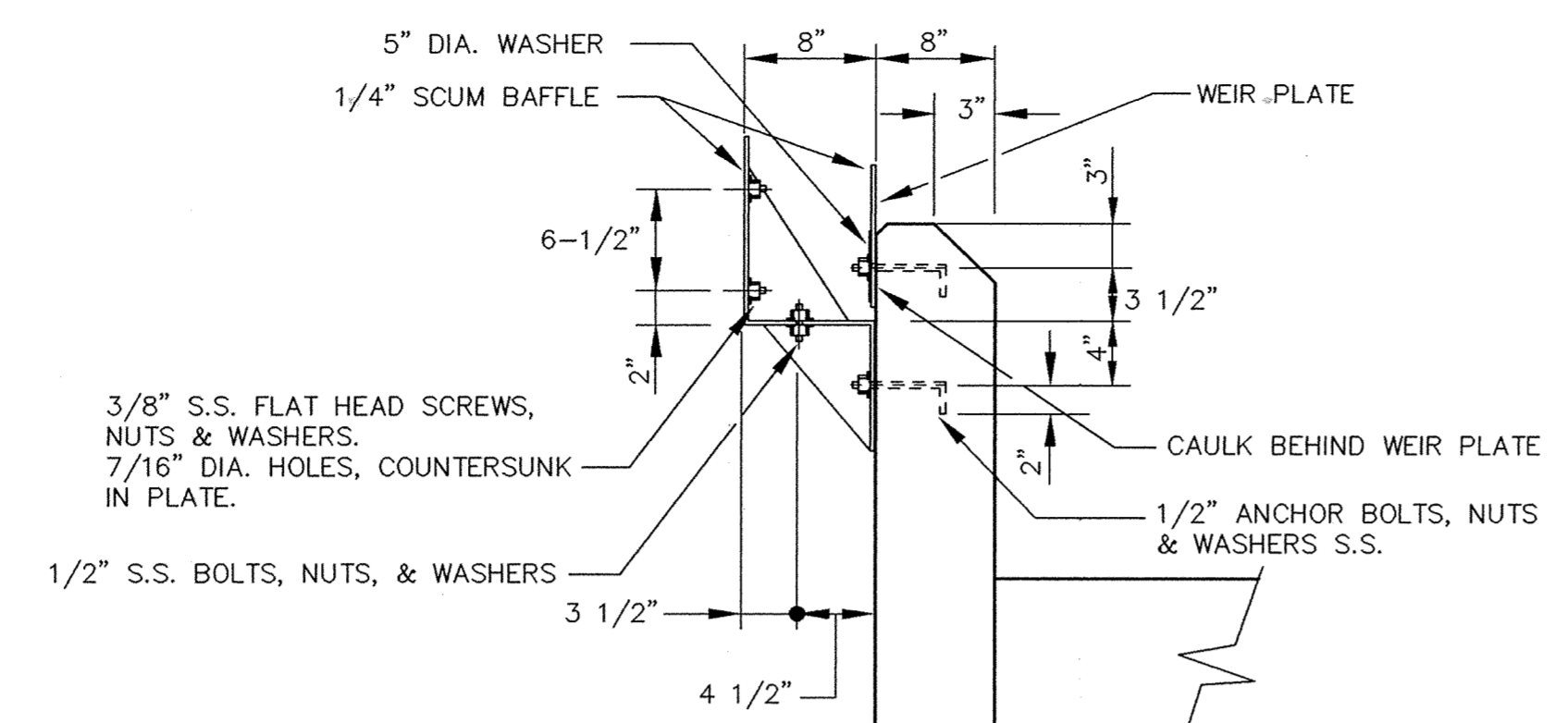
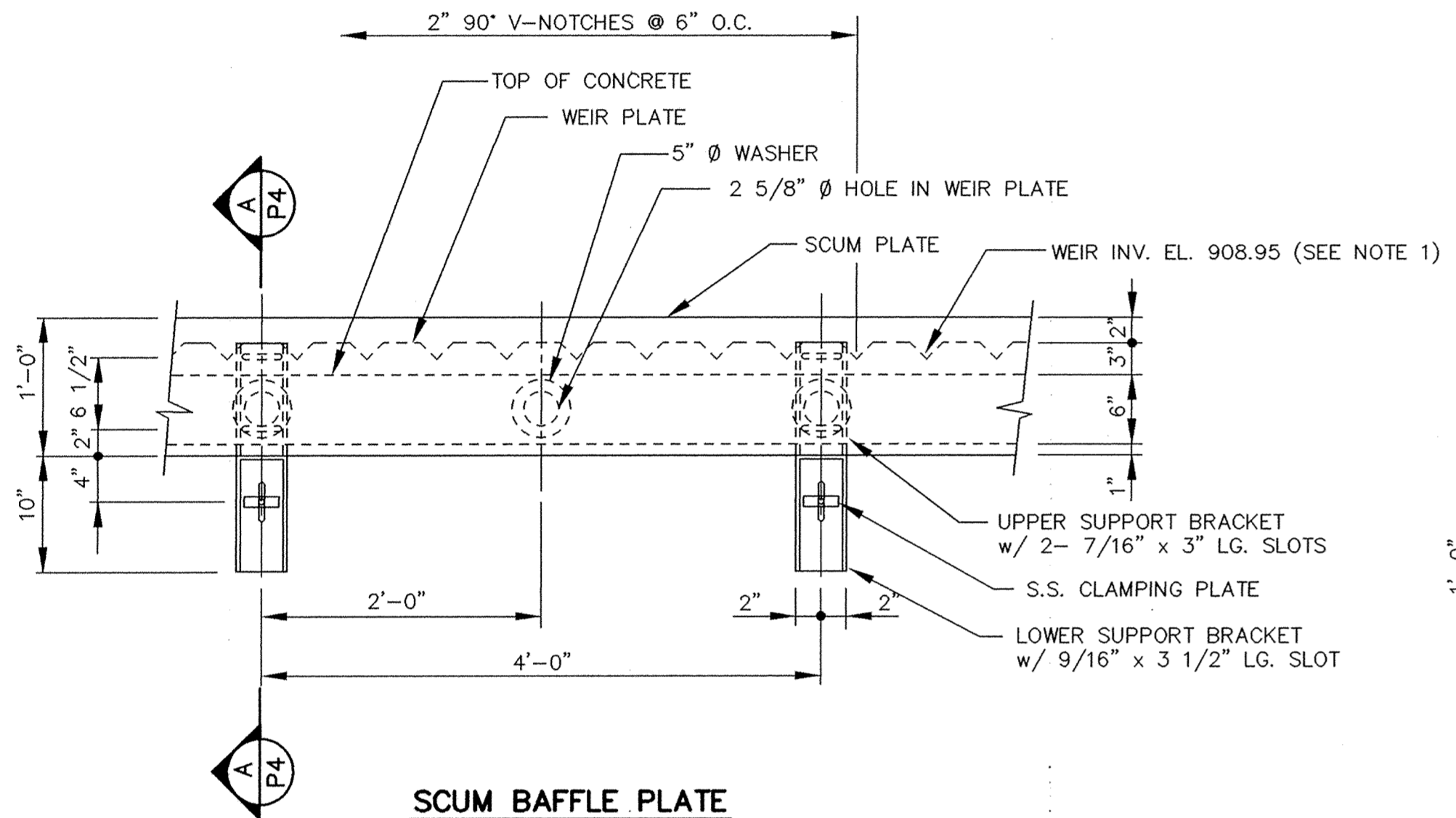


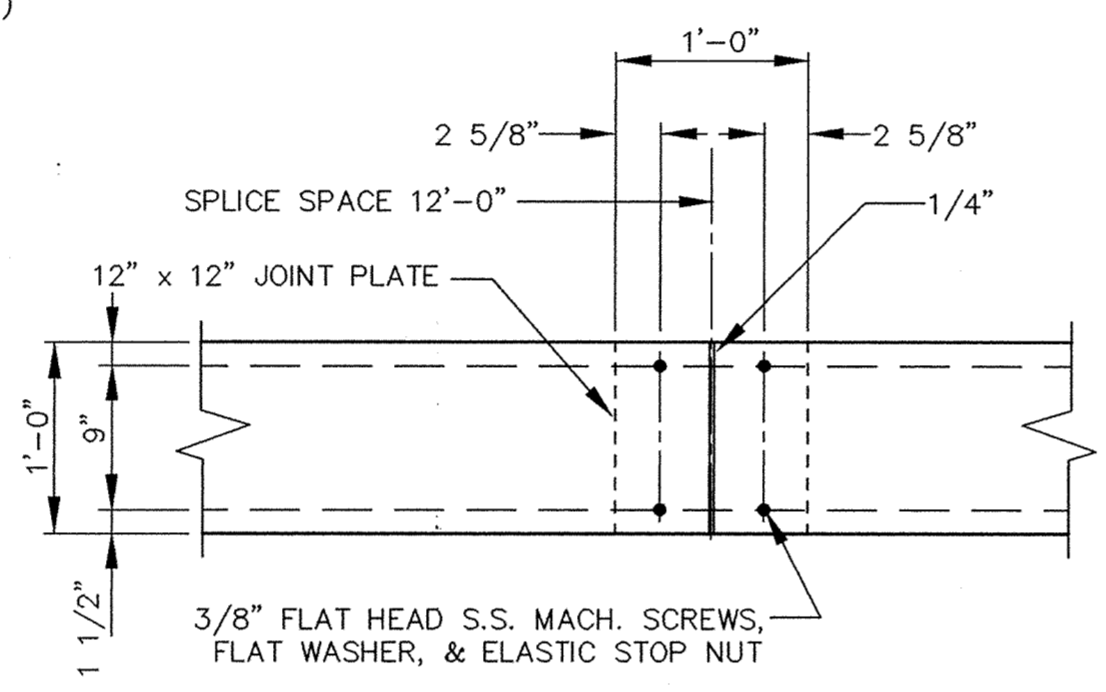
WEIR PLATE SPLICE



SECTION A
Scale: 1" = 1'-0" P4

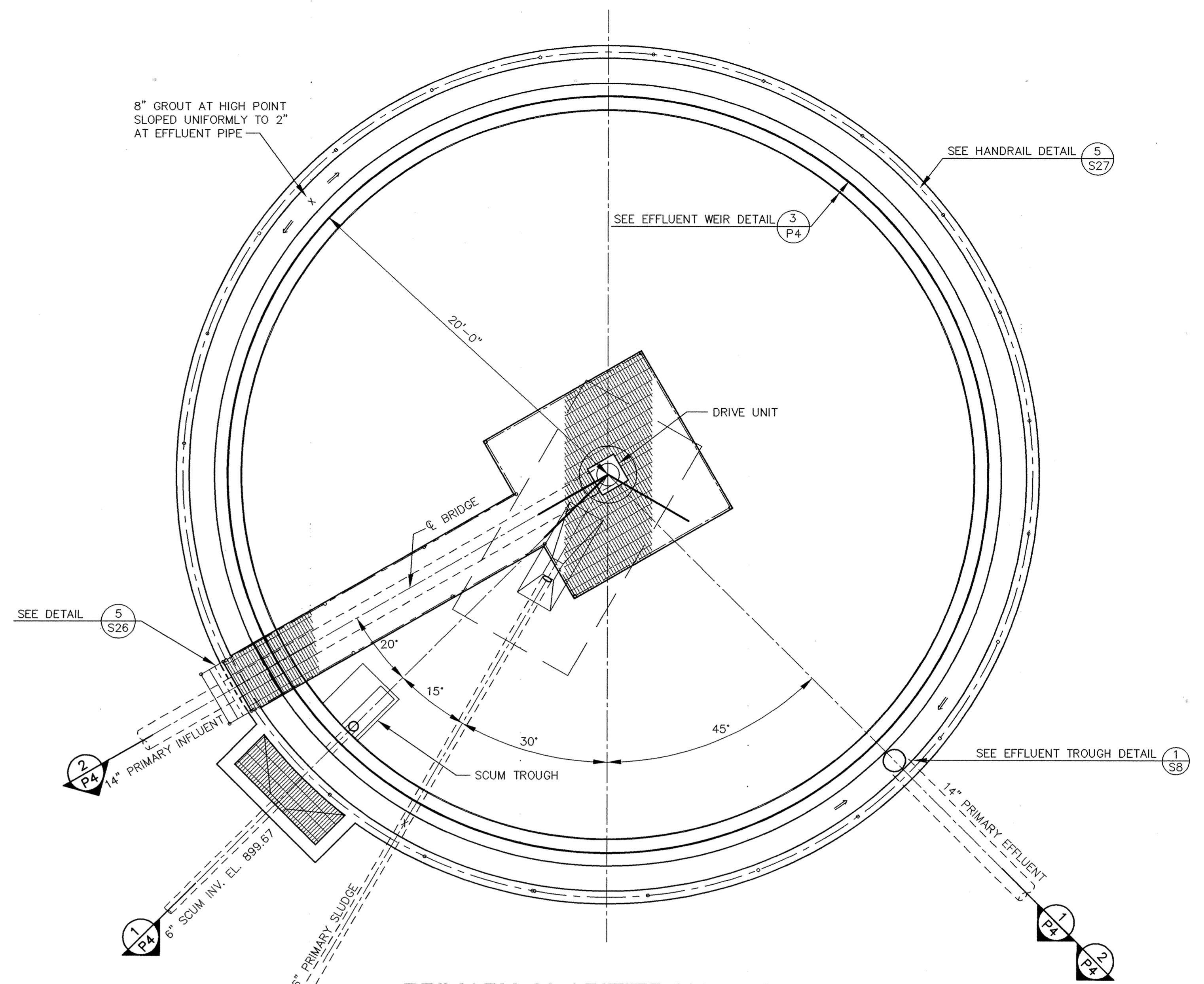


SCUM BAFFLE PLATE

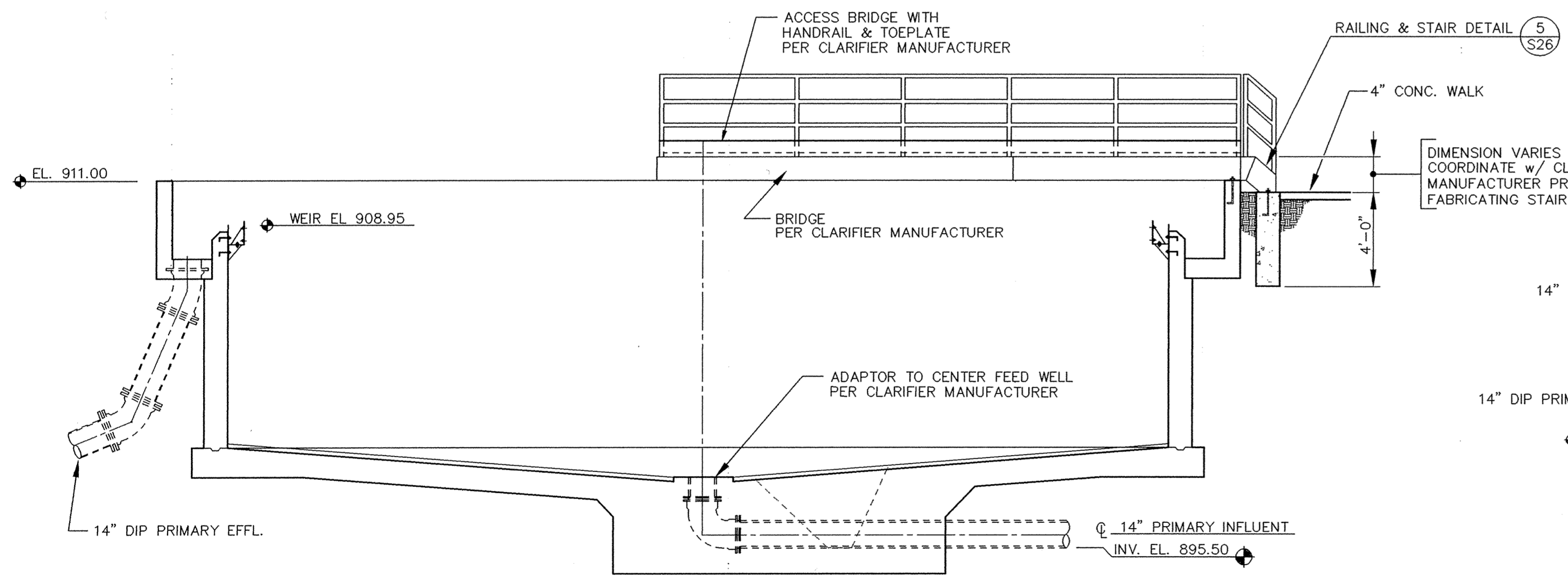


SCUM BAFFLE SPLICE

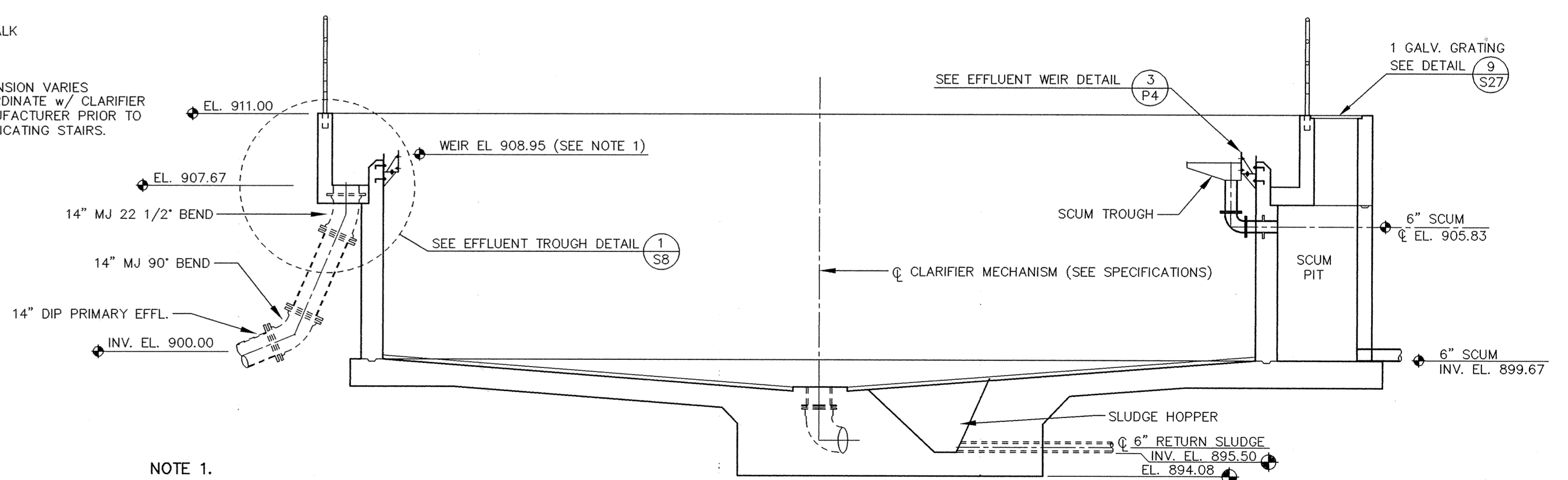
SCUM BAFFLE AND WEIR PLATE DETAILS
Scale: 1" = 1'-0" P4



PRIMARY CLARIFIER NO. 2 PLAN
Scale: 1/4" = 1'-0"



SECTION 2
Scale: 1/4" = 1'-0" P4



SECTION 1
Scale: 1/4" = 1'-0" P4

NOTE 1.
THE WEIR ELEVATION SHALL BE VERIFIED IN THE FIELD. THE WEIR ELEVATION IN THE PRIMARY CLARIFIER NO. 2 SHALL BE THE SAME AS THE WEIR ELEVATION IN PRIMARY CLARIFIER NO. 1 WITHIN $\pm 1/16''$ ACCURACY.

I HEREBY CERTIFY THAT THIS PLAN, SPECIFICATION, OR REPORT WAS PREPARED BY ME OR UNDER MY DIRECT SUPERVISION AND THAT I AM A DULY REGISTERED PROFESSIONAL ENGINEER UNDER THE LAWS OF THE STATE OF MINNESOTA.
DATE 11/18/95 REG. NO. 22610



1326 ENERGY PARK DRIVE
ST. PAUL, MINNESOTA 55108
(612) 644-4389
9800 SHELARD PARKWAY
MINNEAPOLIS, MINNESOTA 55441
(612) 546-0432

DATE	DESCRIPTION	DESIGNED BC GG
		CHECKED TAR
		DRAWN GG
REVISIONS		GRAPHIC SCALE
		0 HORIZ. 4
		0 VERT. 4

CITY OF ELK RIVER
WASTEWATER TREATMENT FACILITY UPGRADE
PRIMARY CLARIFIER NO. 2
PROCESS PLAN & DETAILS
DATE OCT. 1995 SHEET 57 OF 112 SHEETS PROJECT NO. 230-151

P4

Tue Oct 3 14:32:11 1995

ER151-2