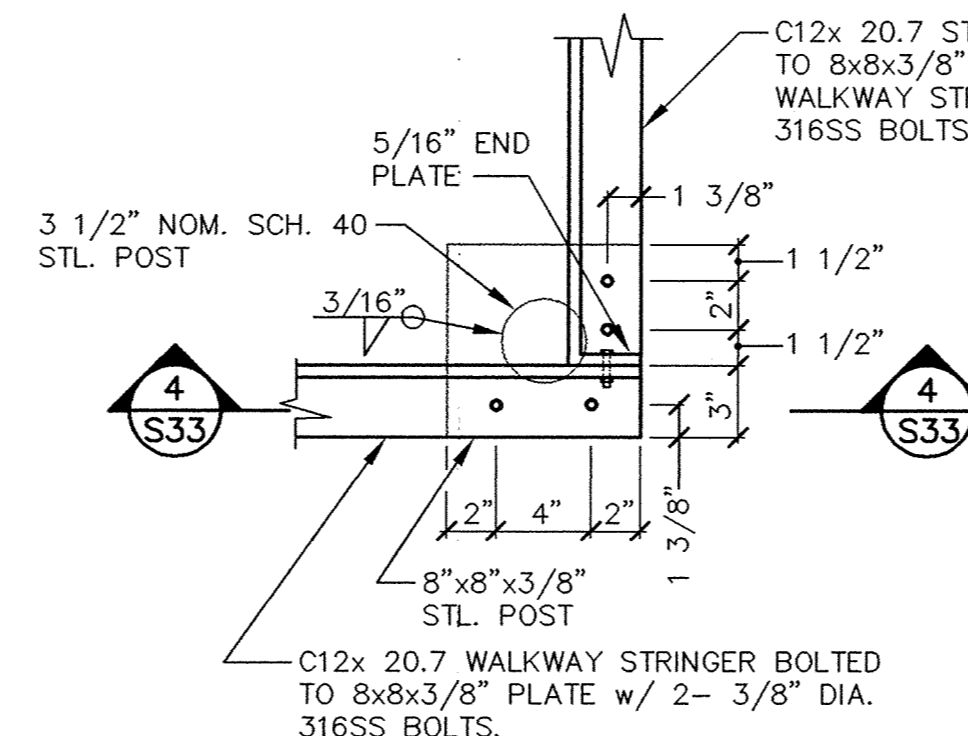
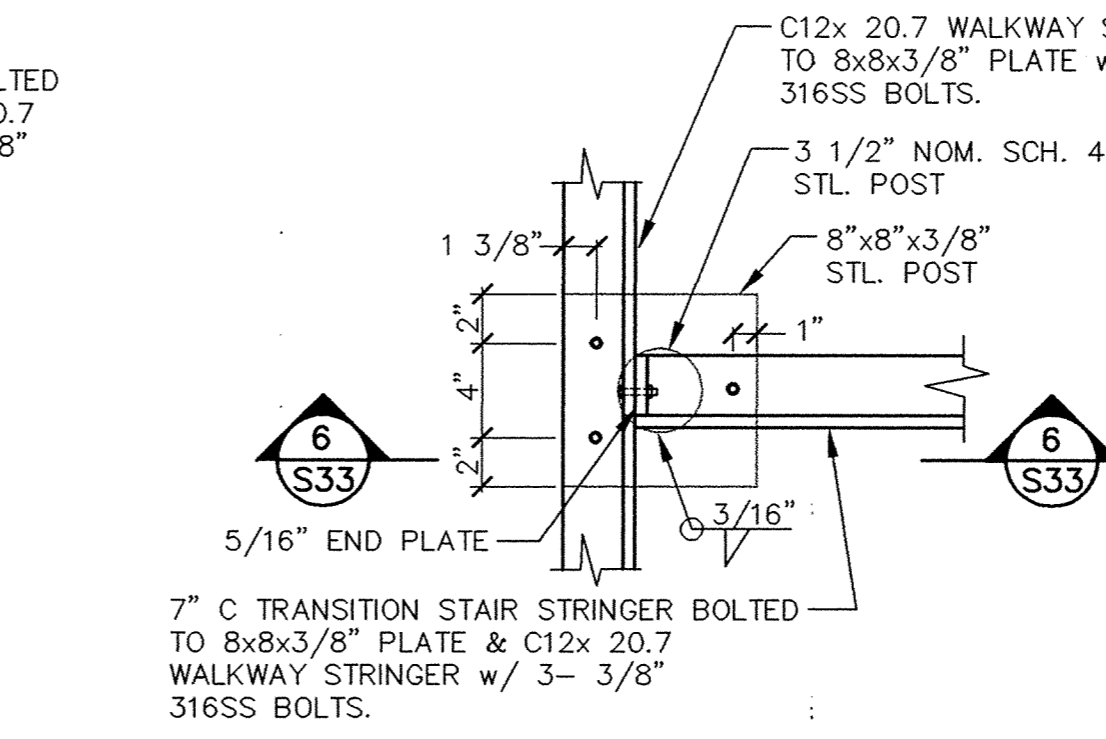


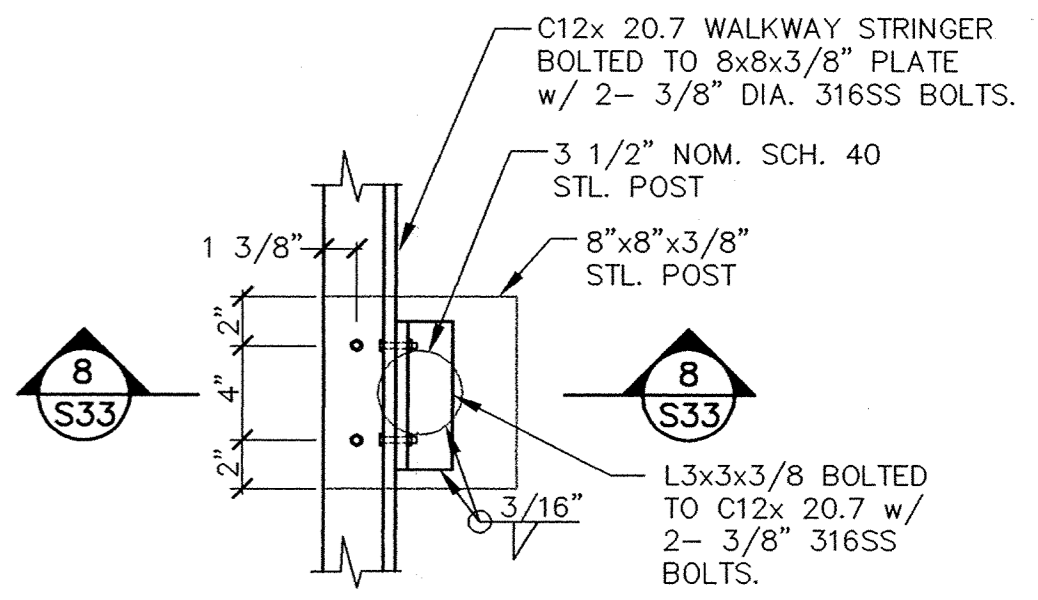
RM. 07 STAIR AND WALKWAY PLAN
Scale: 3/8" = 1'-0"



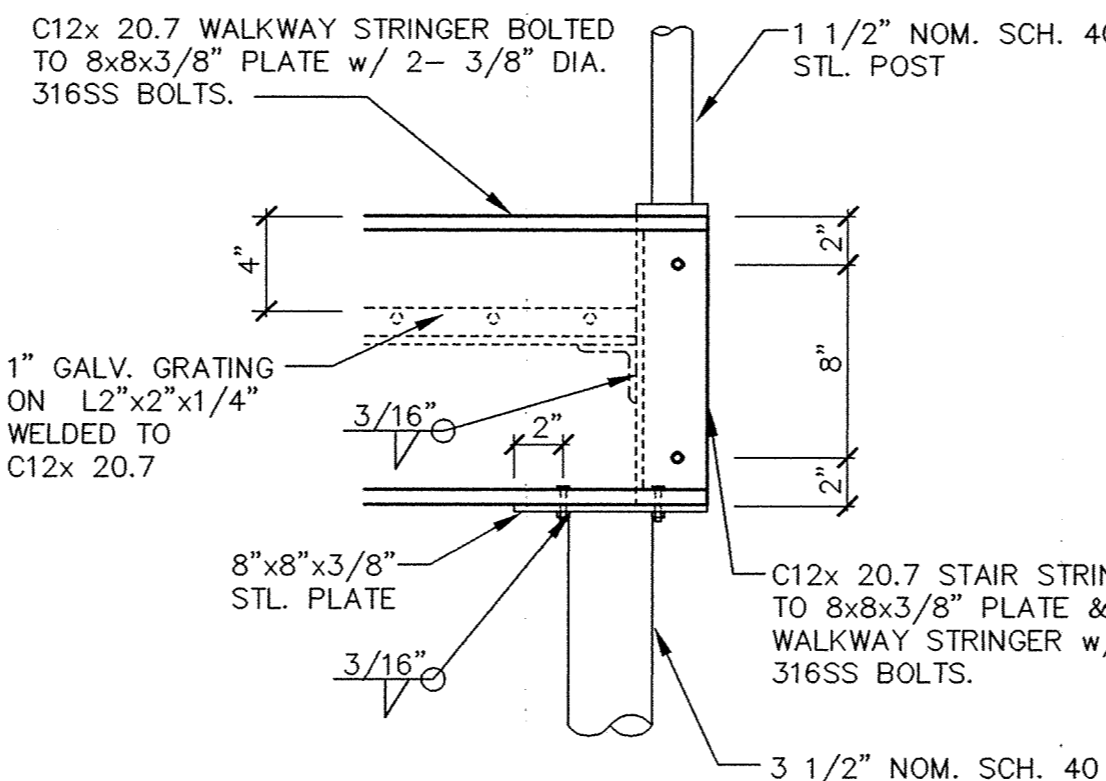
WALKWAY SUPPORT PLAN 3
Scale: 1 1/2" = 1'-0"



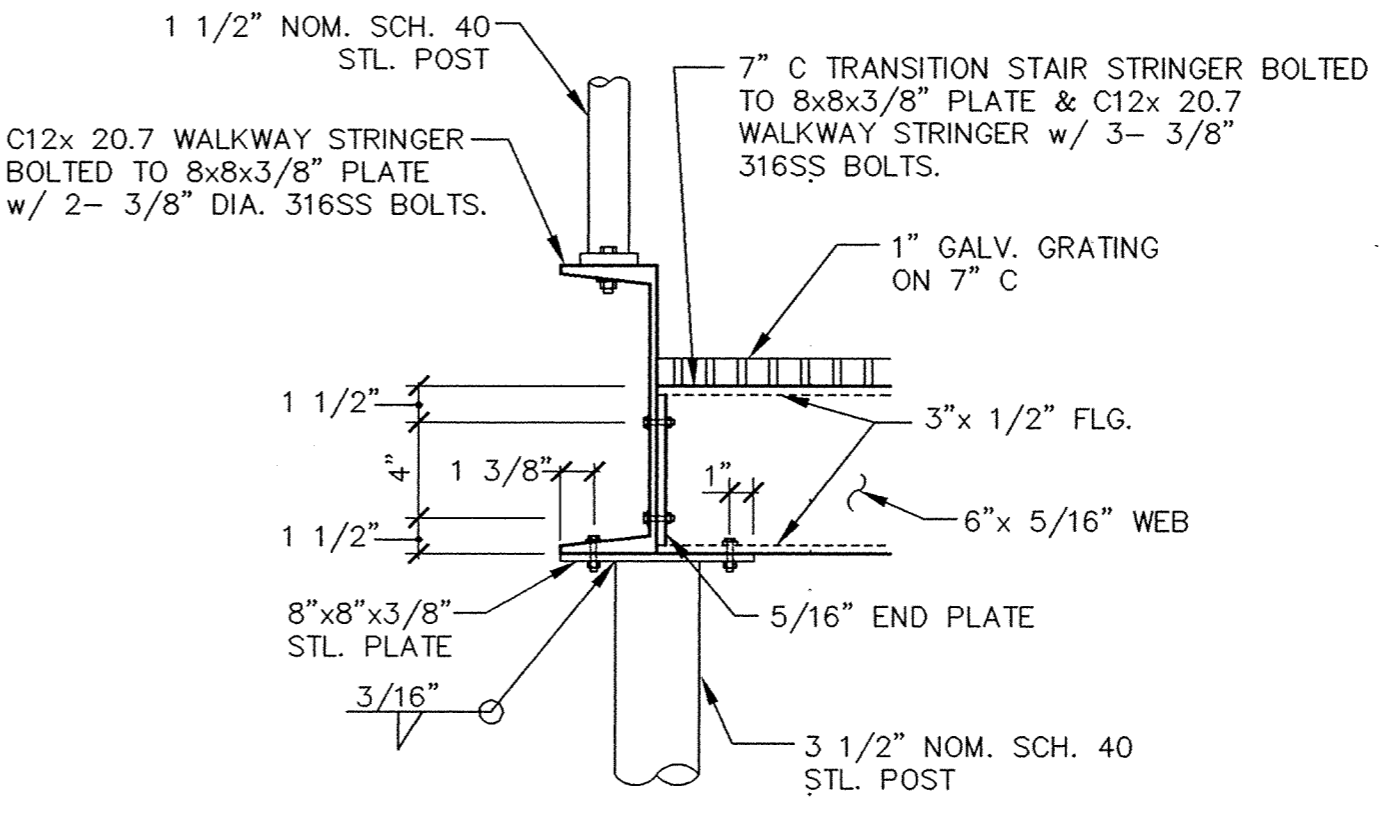
WALKWAY SUPPORT PLAN 5
Scale: 1 1/2" = 1'-0"



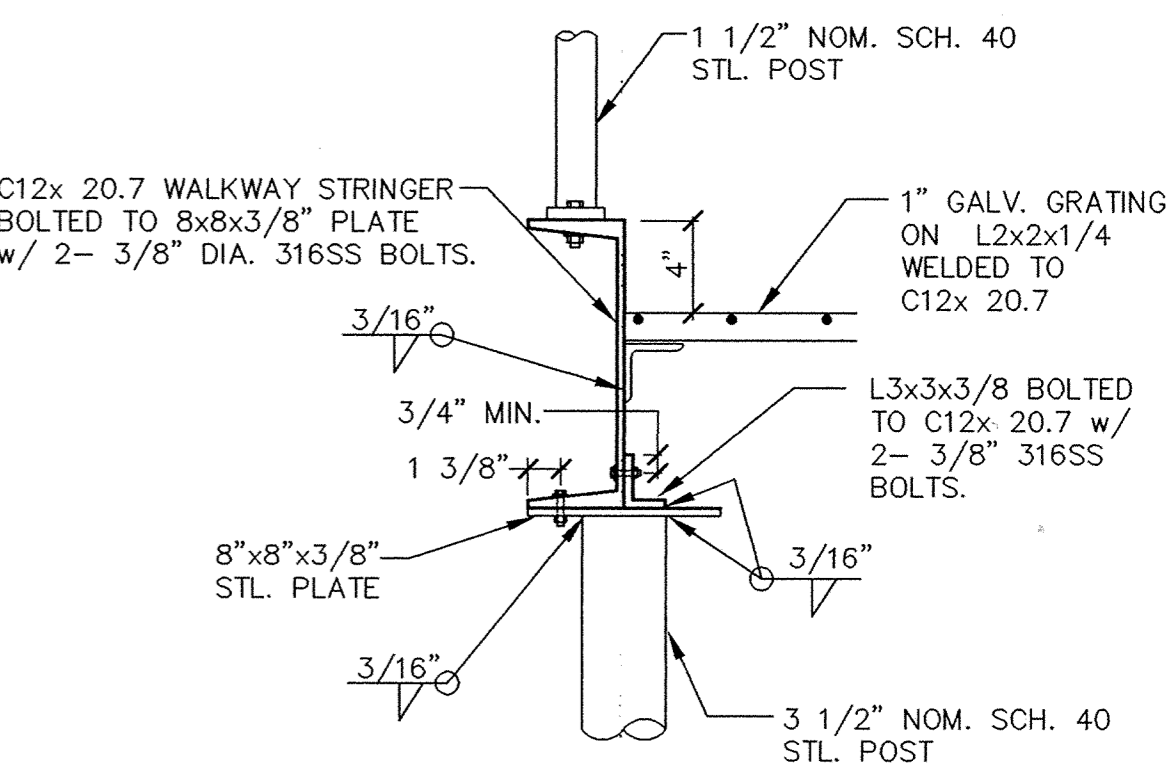
WALKWAY SUPPORT PLAN 7
Scale: 1 1/2" = 1'-0"



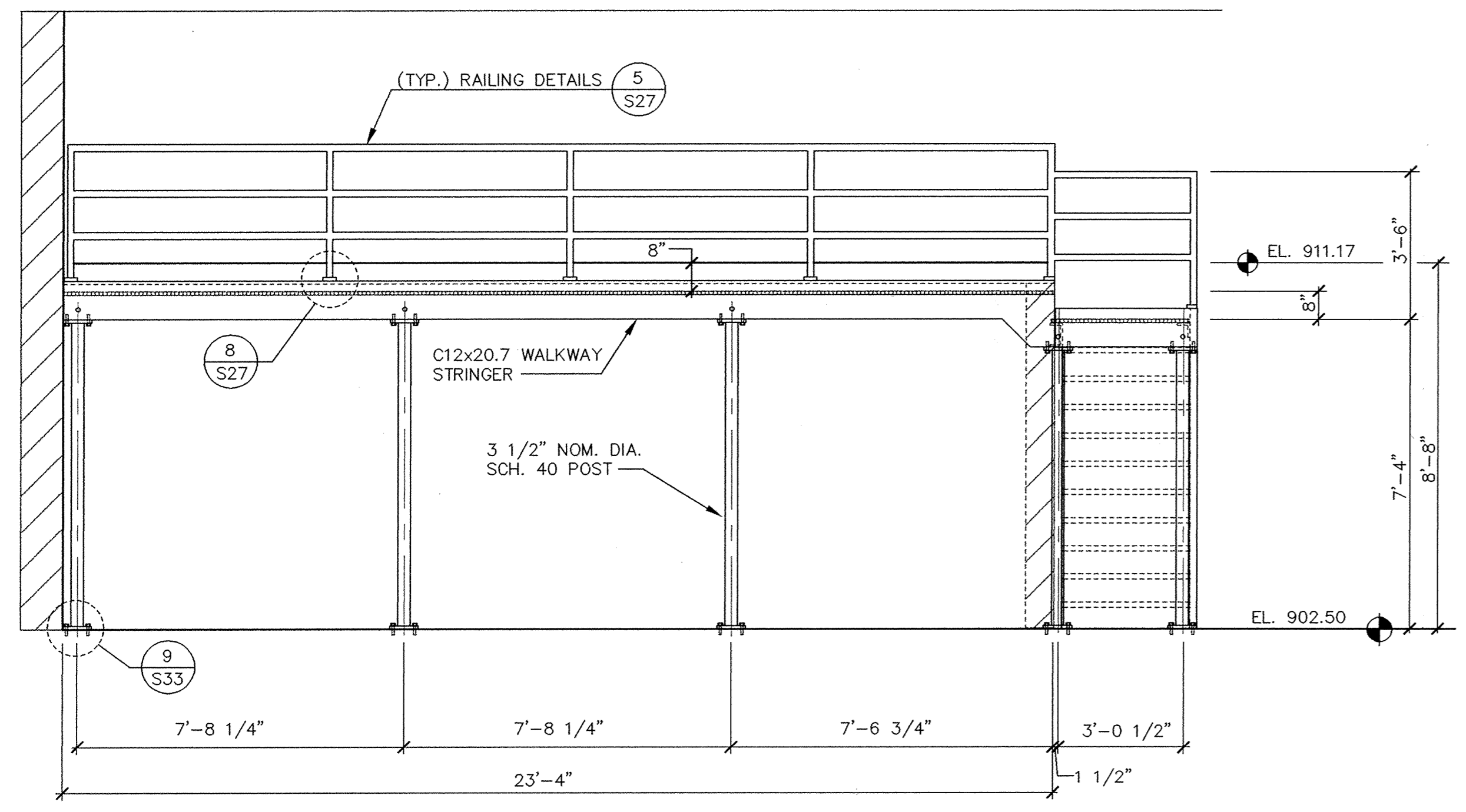
WALKWAY SUPPORT SECTION 4
Scale: 1 1/2" = 1'-0"



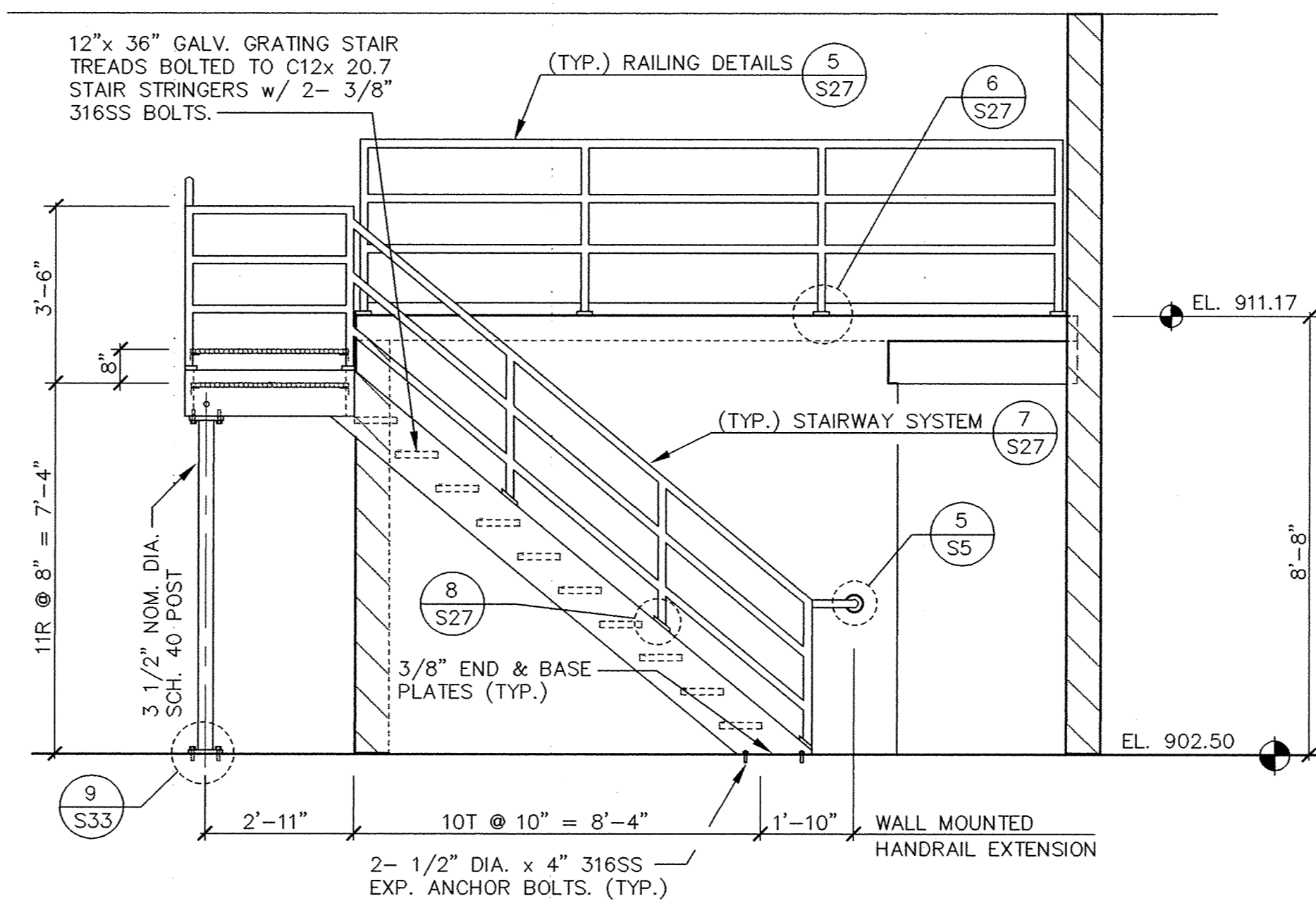
WALKWAY SUPPORT SECTION 6
Scale: 1 1/2" = 1'-0"



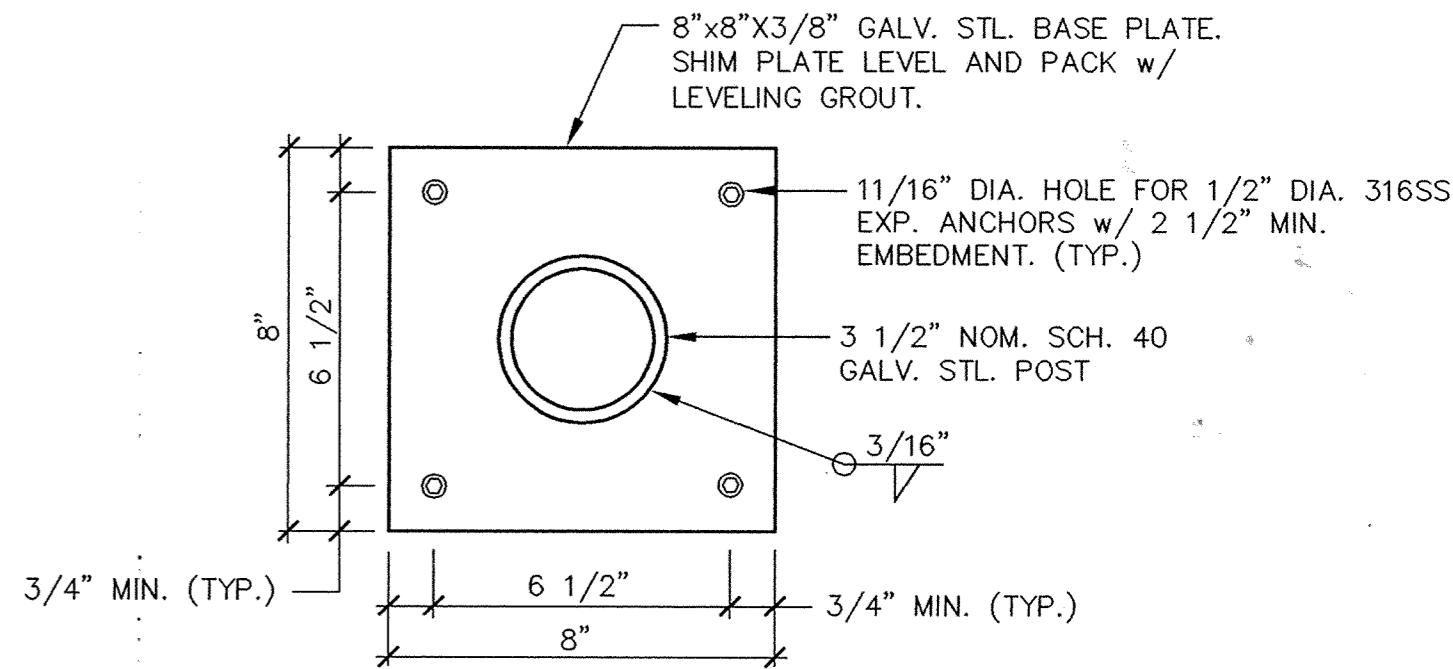
WALKWAY SUPPORT SECTION 8
Scale: 1 1/2" = 1'-0"



WALKWAY ELEVATION 1
Scale: 3/8" = 1'-0"



RM. 07 WALKWAY ELEVATION 2
Scale: 3/8" = 1'-0"



WALKWAY BASE SUPPORT DETAIL 9
No Scale

WALKWAY NOTES:

1. DETAILED FABRICATION DRAWINGS CERTIFIED BY A MINNESOTA REGISTERED STRUCTURAL ENGINEER SHALL BE SUBMITTED TO THE ENGINEER FOR PRIOR APPROVAL.
2. ALL STAIR & WALKWAY MEMBERS SHALL BE HOT-DIP GALVANIZED PER ASTM A123 FOLLOWING FABRICATION. ALL FIELD CUTS & WELDS SHALL BE BRUSHED TO BARE METAL AND COLD GALVANIZED.
3. ALL BOLTS & CONNECTING HARDWARE SHALL BE 316 STAINLESS STEEL.
4. ALL GRATING SHALL BE 1" GALV. STEEL WITH BRG. BARS SPACED TO SUPPORT A SUPER-IMPOSED UNIFORM LOAD OF 150 P.S.F. AND MAX. DEFLECTION OF 1/4" @ 100 P.S.F.
5. GRATING SHALL BE FASTENED BY APPROVED BOLTED J-CLIPS OR WELDED PLATE FASTENERS PER MANUFACTURER.
6. ALL PRECAST CONCRETE DIMENSIONS SHALL BE VERIFIED PRIOR TO FABRICATION.

I HEREBY CERTIFY THAT THIS PLAN, SPECIFICATION, OR REPORT WAS PREPARED BY ME OR UNDER MY DIRECT SUPERVISION AND THAT I AM A DULY REGISTERED PROFESSIONAL ENGINEER UNDER THE LAWS OF THE STATE OF MINNESOTA.
D. J. ...
DATE 11/8/95 REG. NO. 22222



1326 ENERGY PARK DRIVE
ST. PAUL, MINNESOTA 55108
(612) 644-4389
9800 SHELARD PARKWAY
MINNEAPOLIS, MINNESOTA 55441
(612) 546-0432

DATE	DESCRIPTION	DESIGNED	DLC
		CHECKED	L.J.
		DRAWN	T.B.
		GRAPHIC SCALE	0 HORIZ. 2.67
			0 VERT. 2.67

CITY OF ELK RIVER
WASTEWATER TREATMENT FACILITY UPGRADE
MAIN BUILDING
WALKWAY ELEVATIONS AND DETAILS

S33