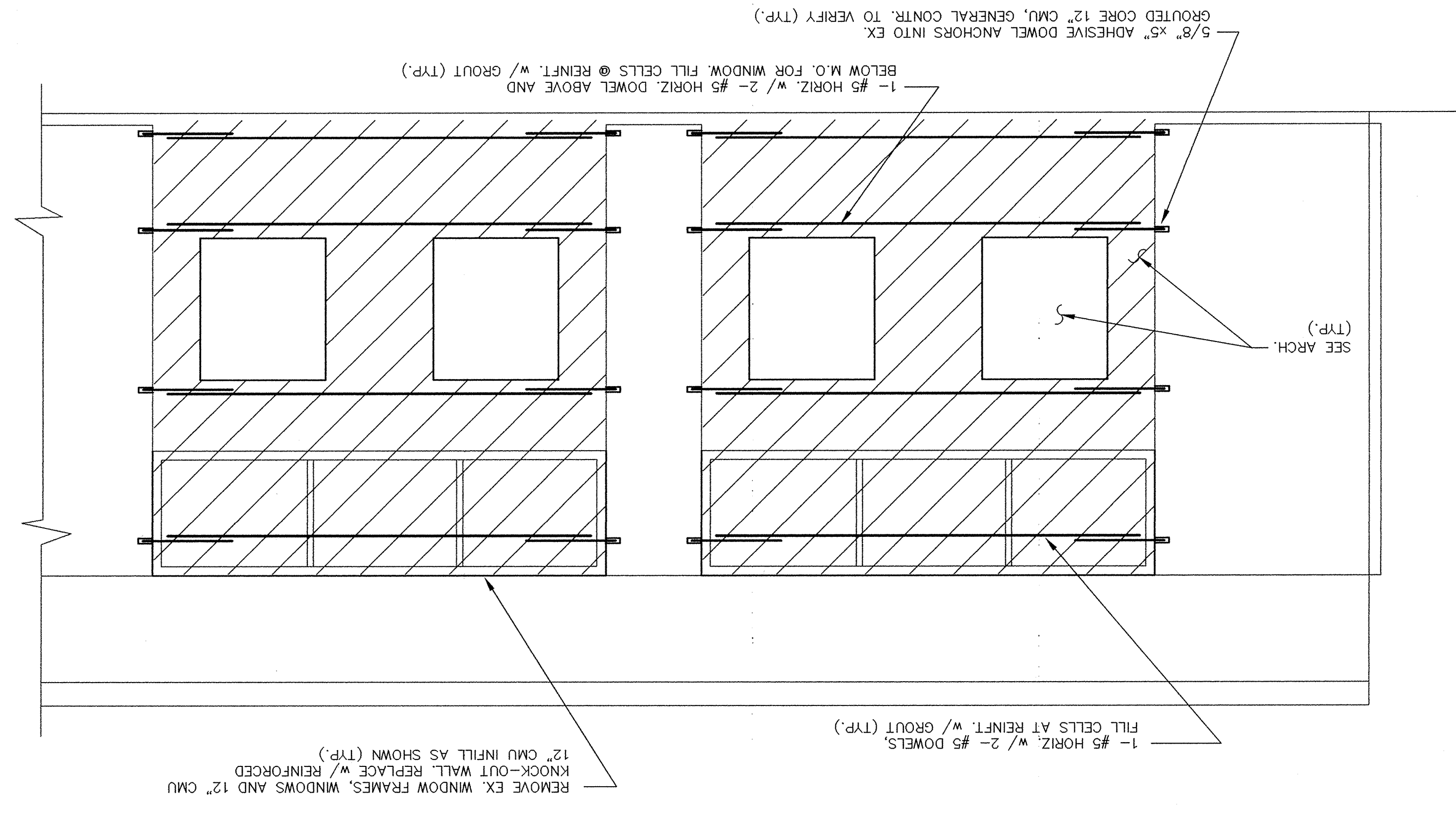


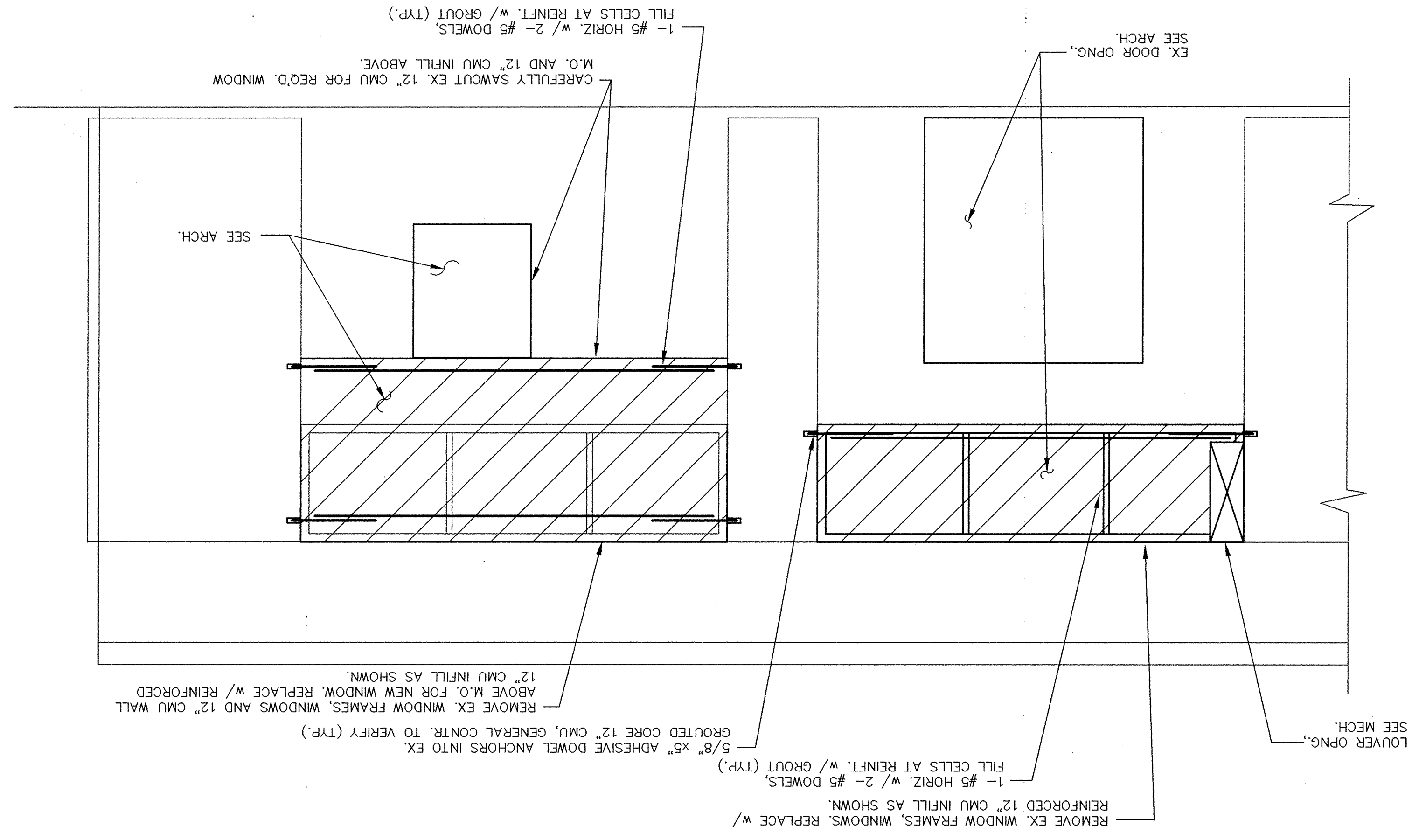
SOUTH ELEVATION WALL MODIFICATIONS

Scale: 3/8" = 1'-0"
S32 2



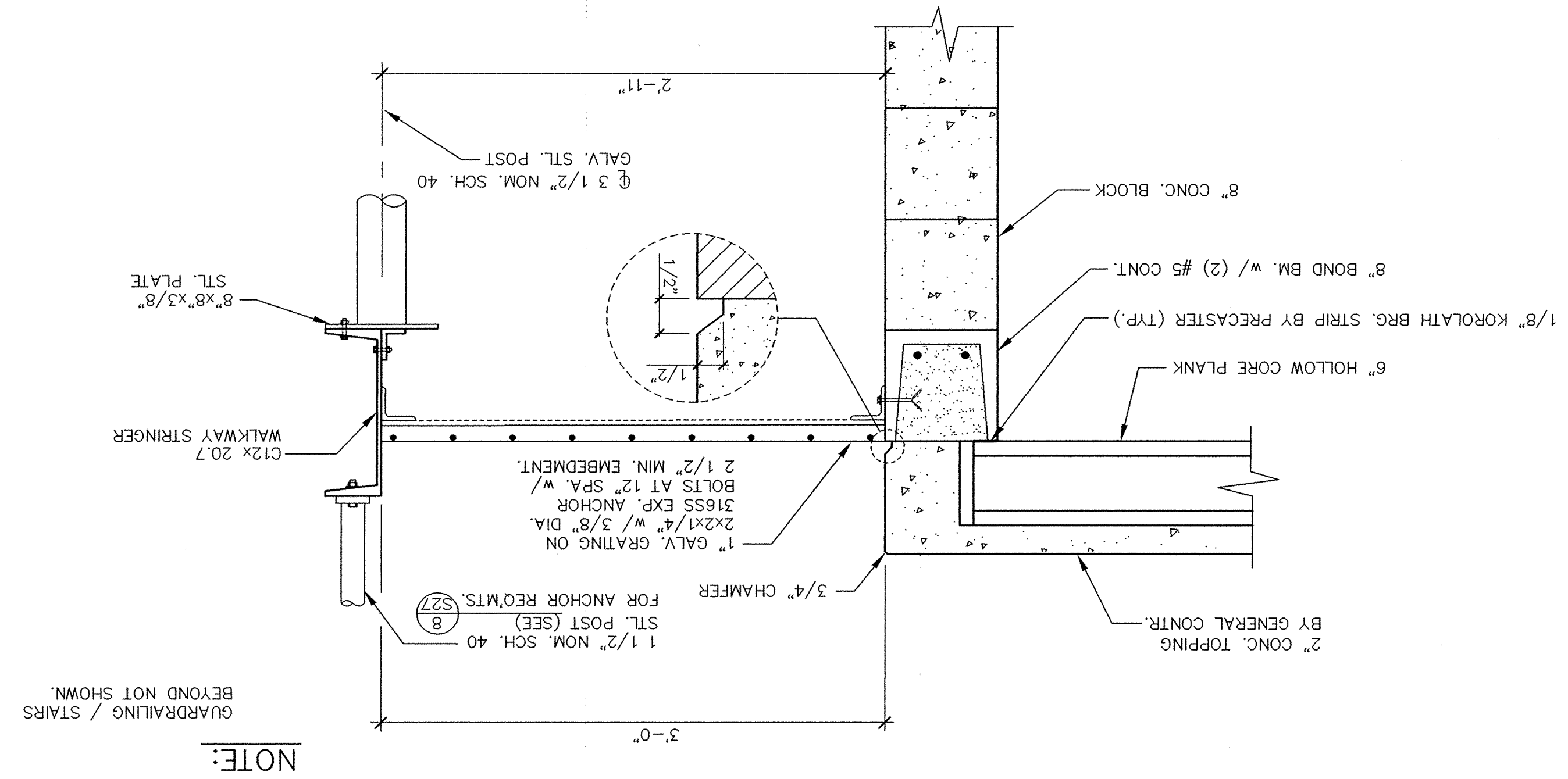
NORTH ELEVATION WALL MODIFICATIONS

Scale: 3/8" = 1'-0"
S32 1



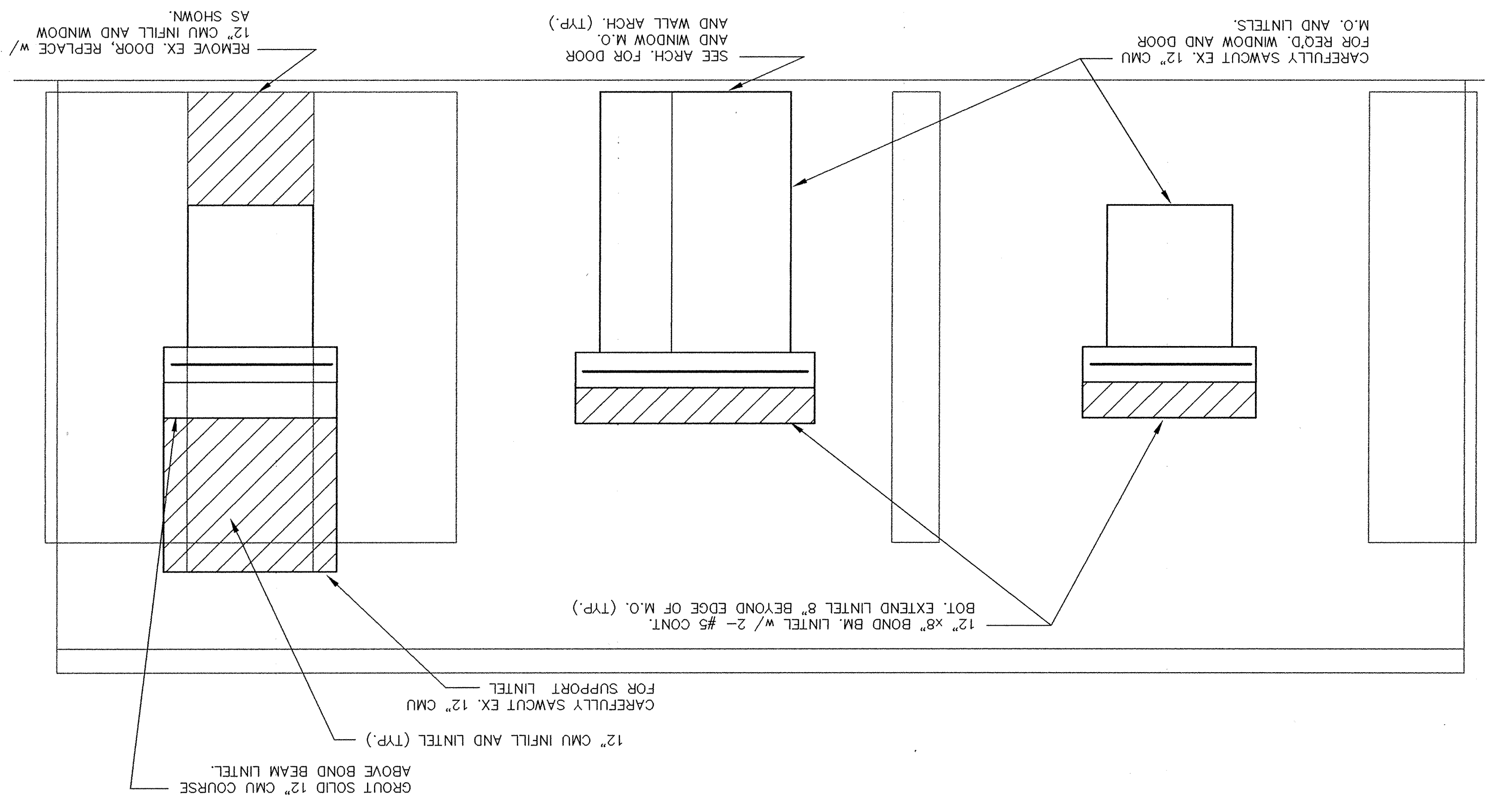
WALKWAY GRATING SUPPORT DETAIL

Scale: 1 1/2" = 1'-0"
S32 4



WEST ELEVATION WALL MODIFICATIONS

Scale: 3/8" = 1'-0"
S32 3



DATE 11/8/95 REG. NO. 22222
 I HEREBY CERTIFY THAT THIS PLAN, SPECIFICATION, OR REPORT WAS PREPARED BY ME OR UNDER MY DIRECT SUPERVISION AND THAT I AM A DULY REGISTERED PROFESSIONAL ENGINEER UNDER THE LAWS OF THE STATE OF MINNESOTA.



1326 ENERGY PARK DRIVE
 ST. PAUL, MINNESOTA 55108
 (612) 644-4389
 9800 SHELARD PARKWAY
 MINNEAPOLIS, MINNESOTA 55441
 (612) 546-0432

DATE	DESCRIPTION	DESIGNED D.L.C.	CHECKED L.L.B.	DRAWN T.B.	GRAPHIC SCALE	VERT. 2.67	HORIZ. 2.67	
DATE OCT. 1995	SHEET 52 OF 112	PROJECT NO. 230-151	CITY OF ELK RIVER WASTEWATER TREATMENT FACILITY UPGRADE MAIN BUILDING EX. ELEVATIONS AND SECTIONS				0	0

S32

NOTE:
GUARDRAILING / STAIRS BEYOND NOT SHOWN.