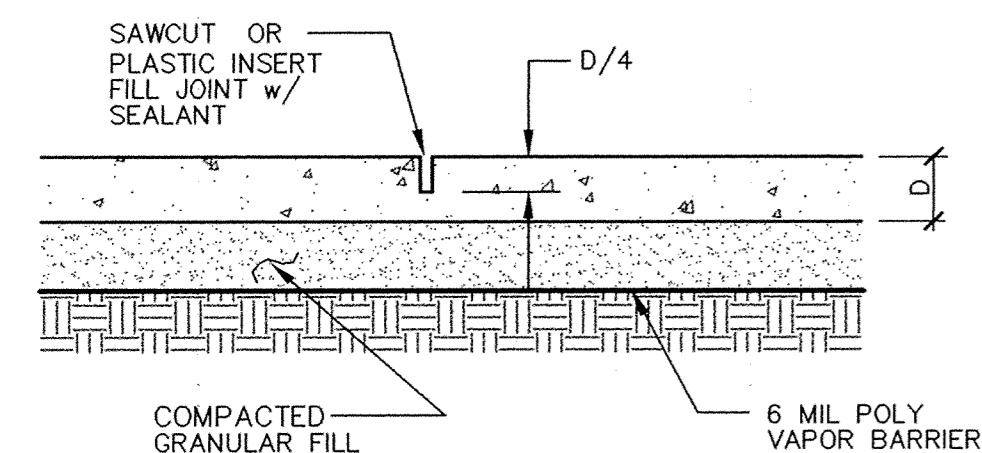
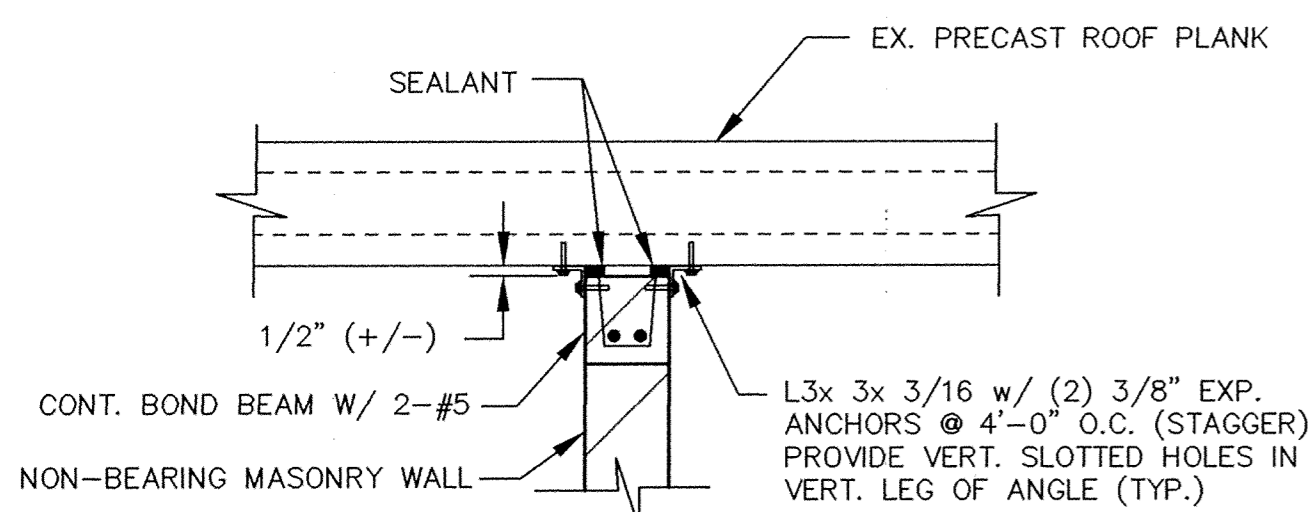


DETAIL CONSTRUCTION JOINT (2) S30
No Scale

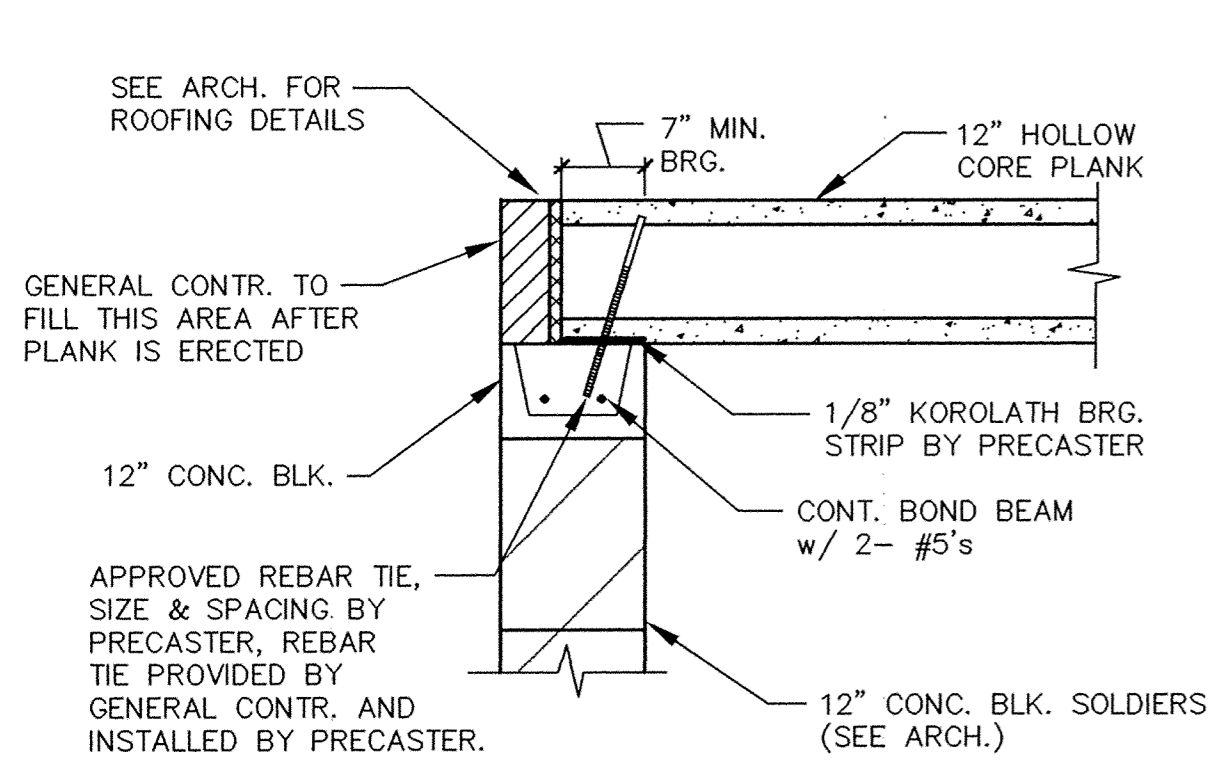


DETAIL CONTROL JOINT (C.J.) (3) S30
No Scale

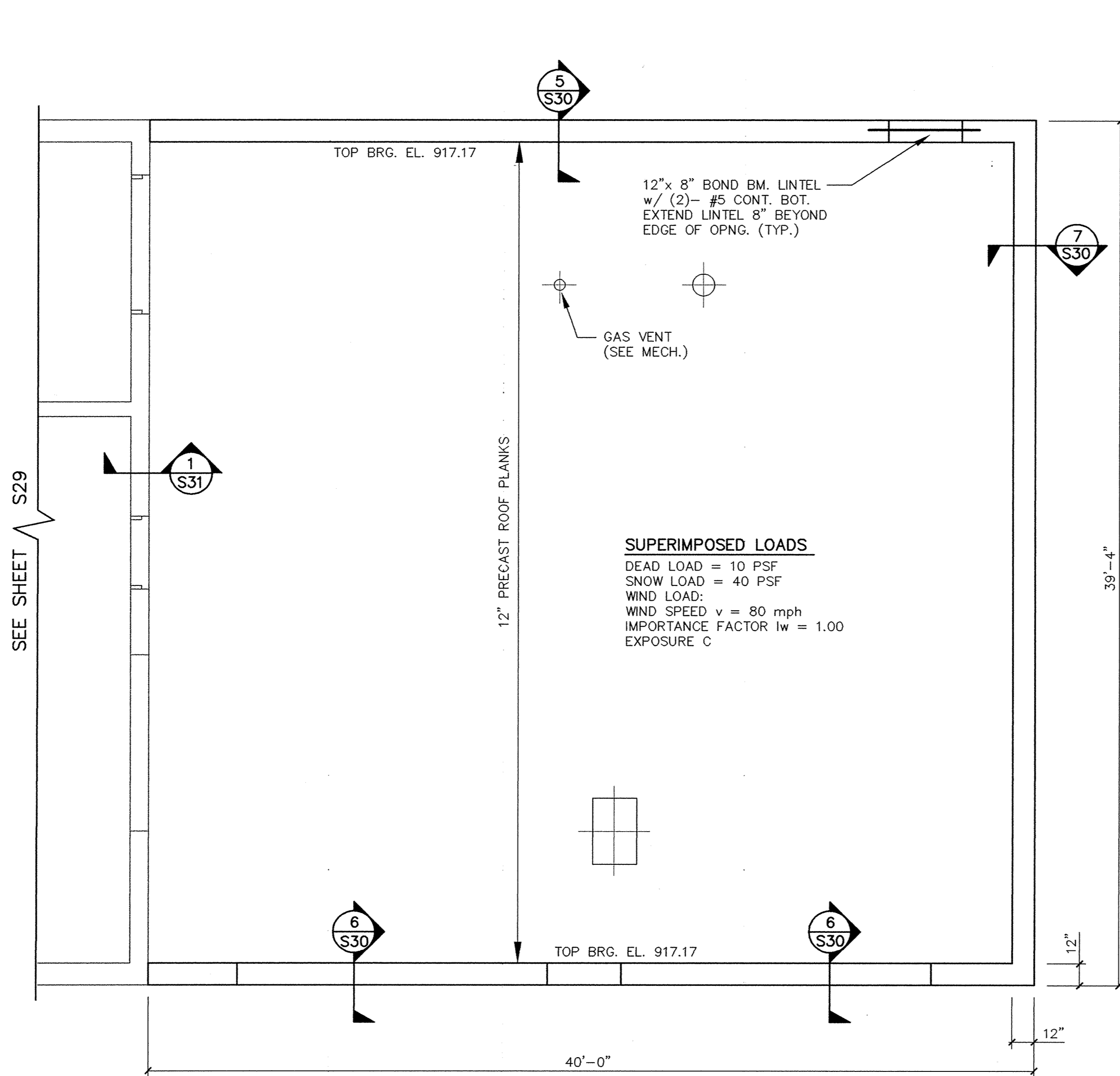
1. SAWCUT CONTROL JOINTS, TO BE CUT 4 TO 12 HRS. AFTER CONCRETE HARDENS.
2. SPACE CONTROL JOINTS (AS SHOWN)



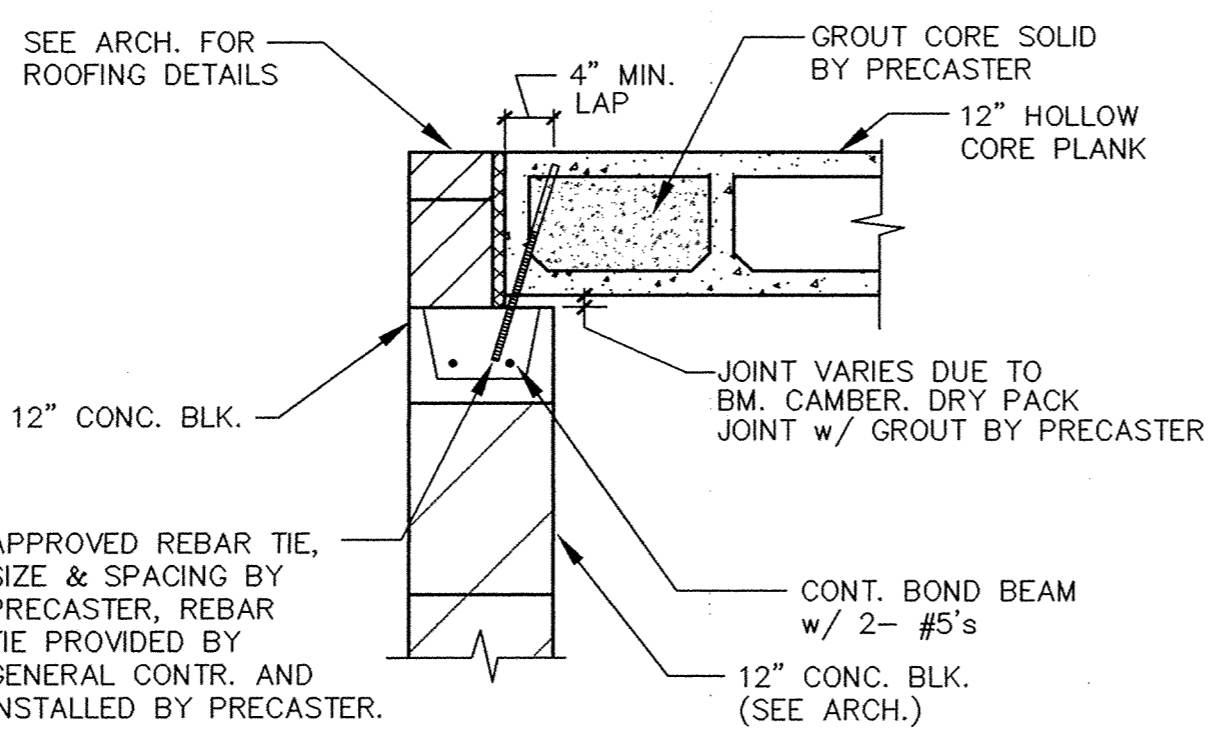
SECTION (4) S30
No Scale



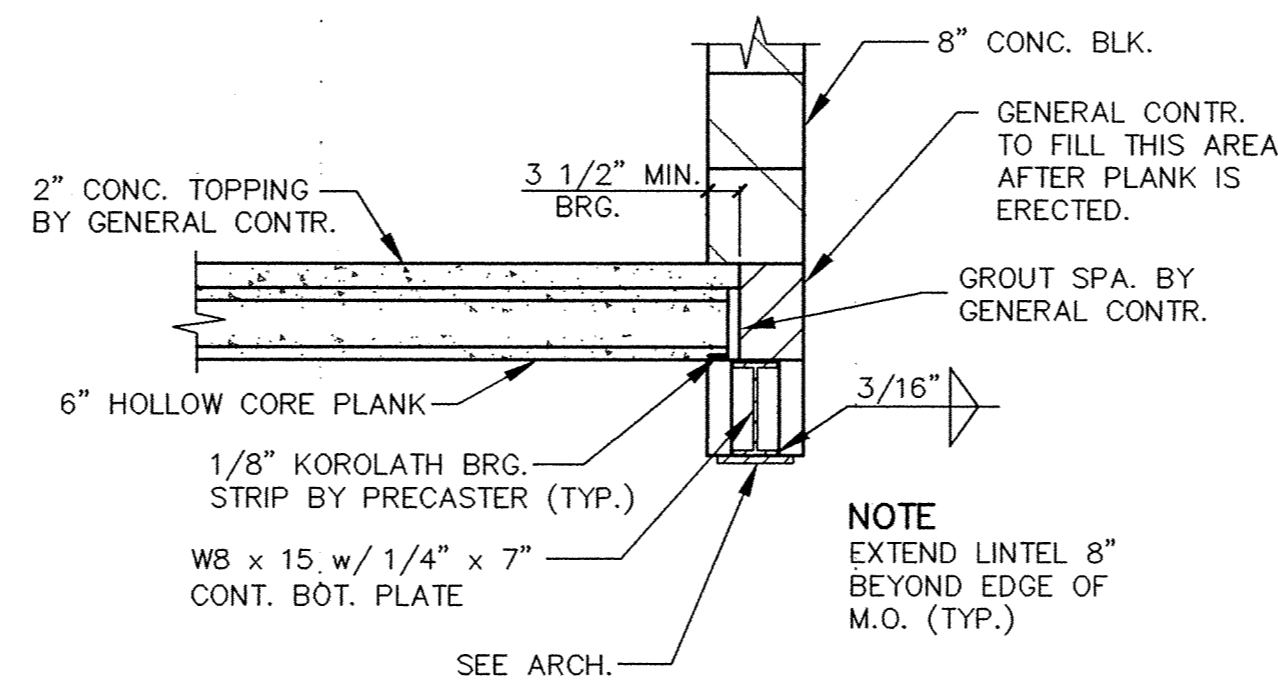
TYP. BEARING MASONRY WALL DETAIL (5) S30
Scale 3/4" = 1'-0"



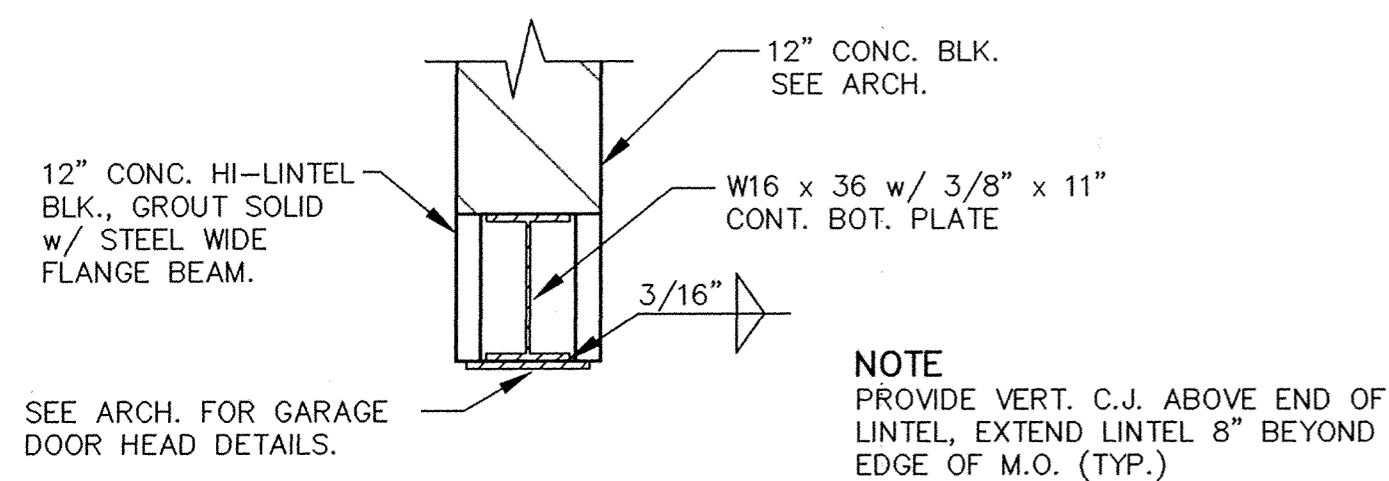
ROOF PLAN
Scale: 1/4" = 1'-0"



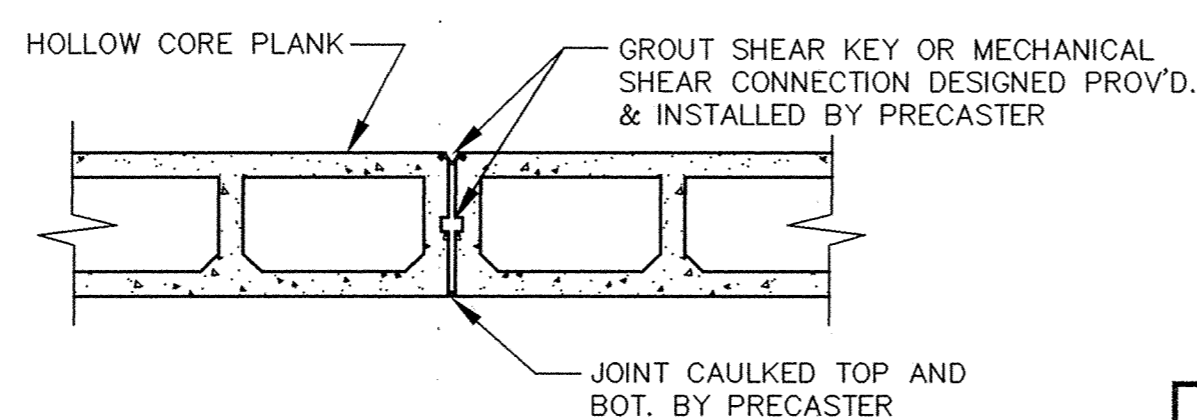
TYP. NON-BEARING MASONRY WALL DETAIL (7) S30
Scale 3/4" = 1'-0"



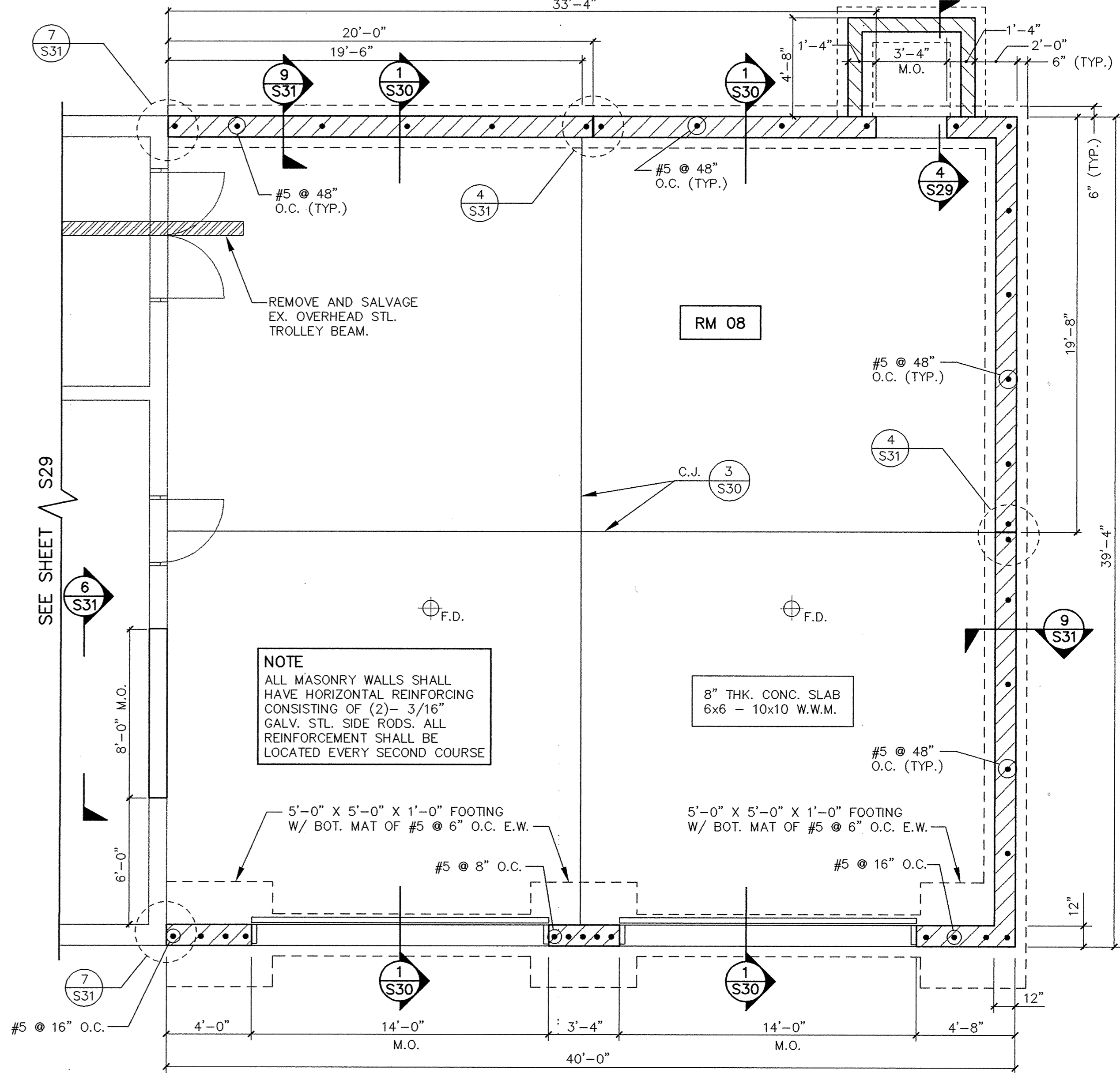
BEARING MASONRY WALL AND LINTEL DETAIL (9) S30
Scale 3/4" = 1'-0"



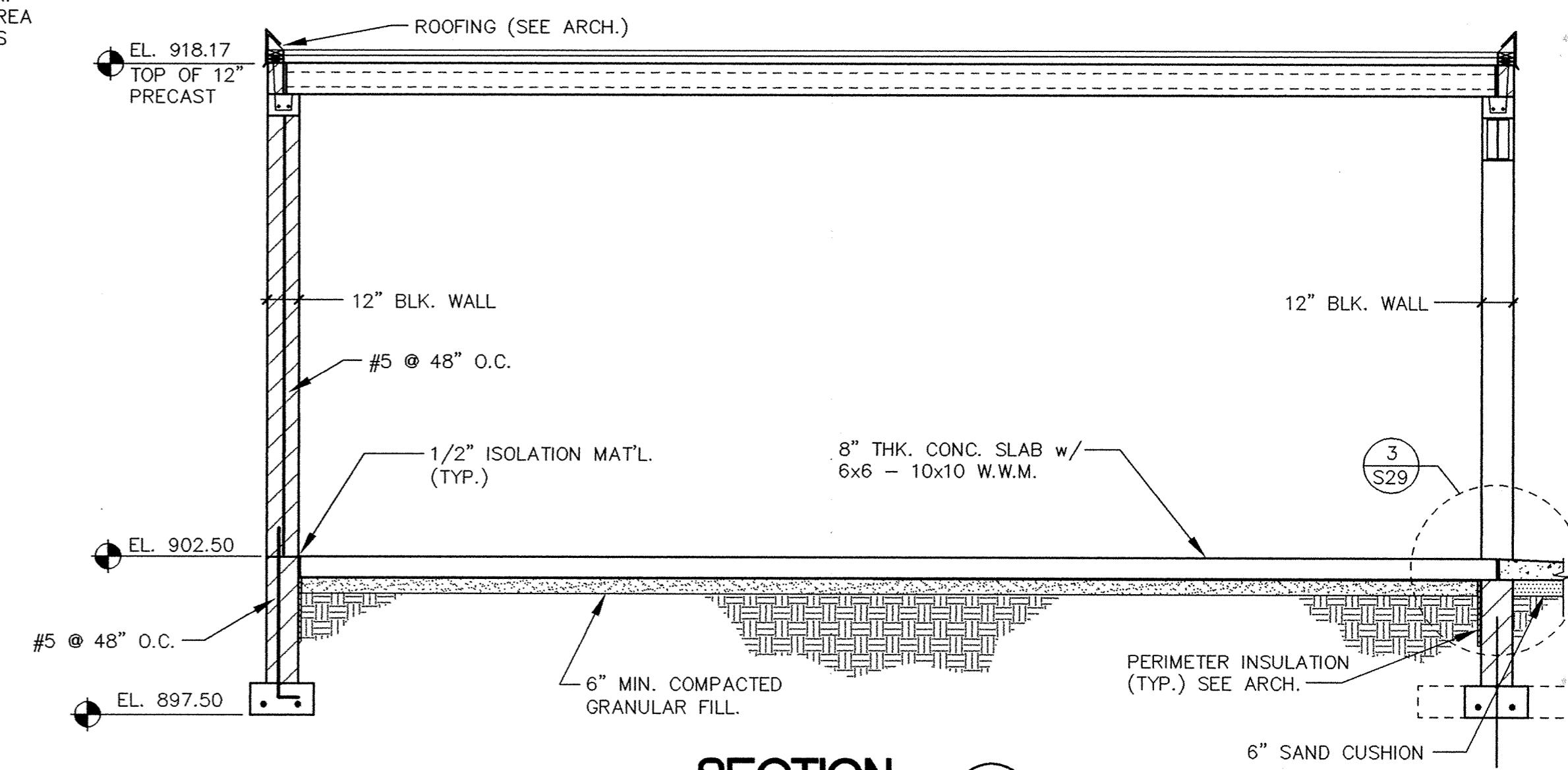
LINTEL DETAIL (6) S30
Scale 3/4" = 1'-0"



SLAB TO SLAB CONNECTION DETAIL (8) S30
Scale 3/4" = 1'-0"



FOUNDATION PLAN
Scale: 1/4" = 1'-0"



SECTION (1) S30
Scale: 1/4" = 1'-0"

I HEREBY CERTIFY THAT THIS PLAN, SPECIFICATION, OR REPORT WAS PREPARED BY ME OR UNDER MY DIRECT SUPERVISION AND THAT I AM A DULY REGISTERED PROFESSIONAL ENGINEER UNDER THE LAWS OF THE STATE OF MINNESOTA.
DATE 11/9/95 REG. NO. 22222



1326 ENERGY PARK DRIVE
ST. PAUL, MINNESOTA 55108
(612) 644-4389
9800 SHELARD PARKWAY
MINNEAPOLIS, MINNESOTA 55441
(612) 546-0432

DATE	DESCRIPTION	DESIGNED/DLC
		CHECKED/LJL
		DRAWN/TB
		GRAPHIC SCALE
		0 HORIZ. 4
		0 VERT. 4

CITY OF ELK RIVER
WASTEWATER TREATMENT FACILITY UPGRADE
MAIN BUILDING
FOUNDATION, ROOF PLAN AND SECTIONS

S30
DATE OCT. 1995 SHEET 50 OF 112 SHEETS PROJECT NO. 230-151