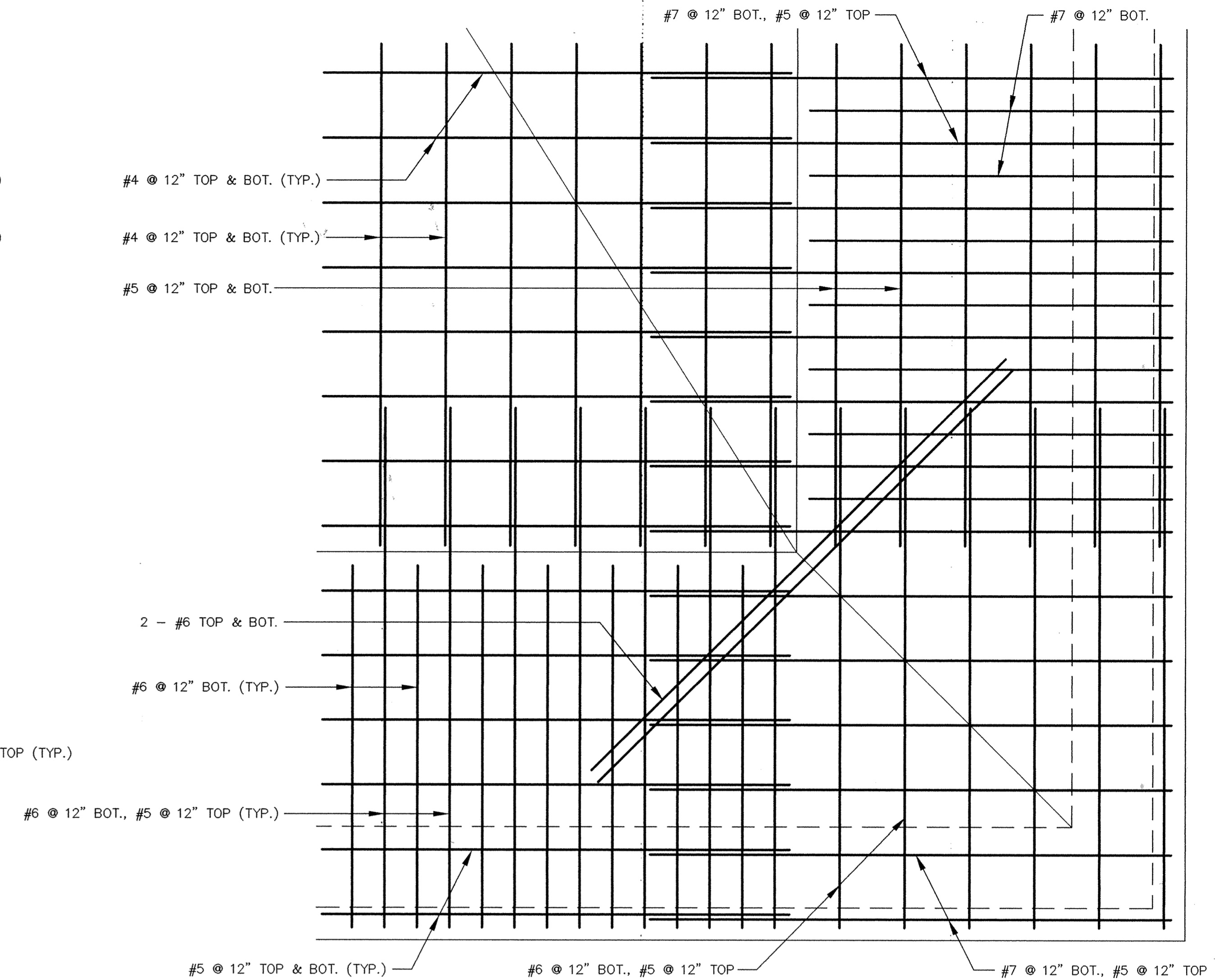
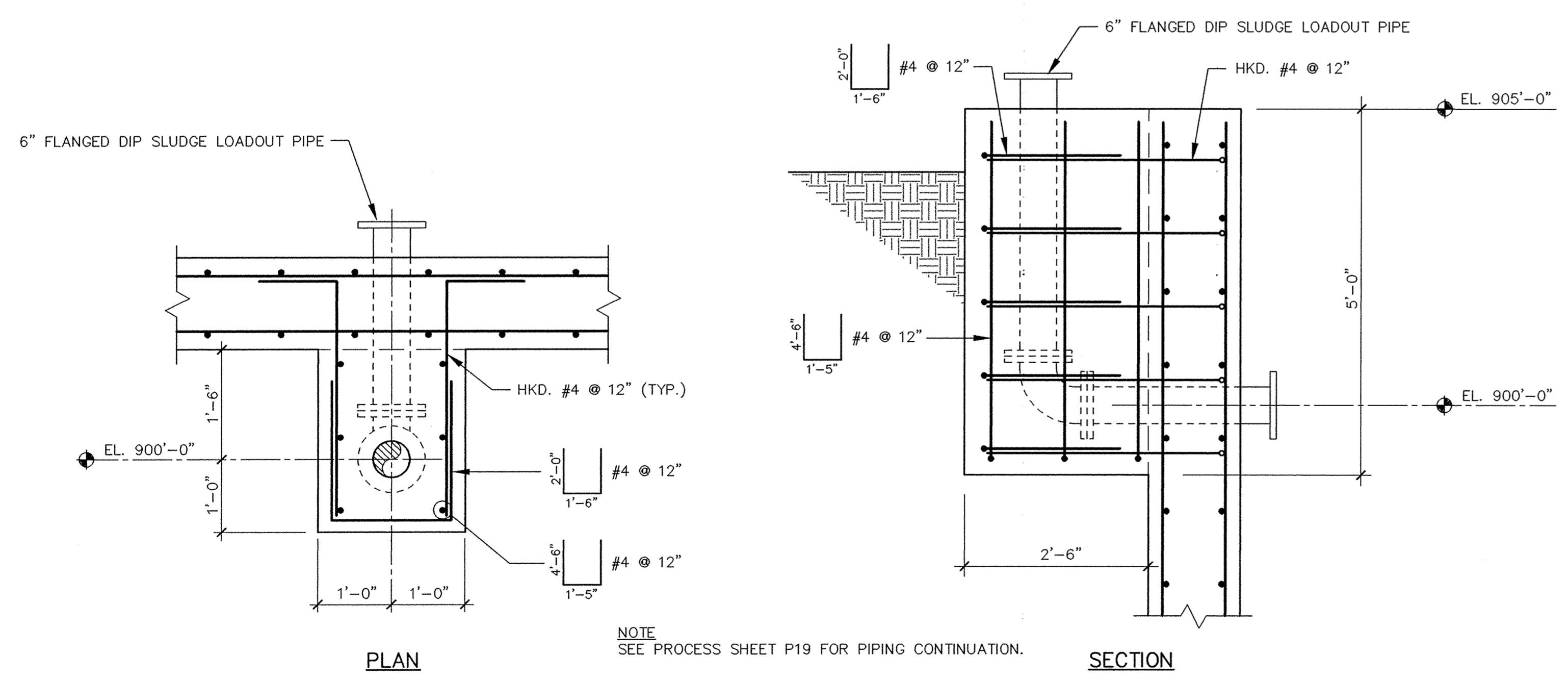


**FOOTING CORNER REINFORCING PLAN 14**  
 Scale: 1 1/2" = 1'-0"  
 TYPICAL CORNER (S25)



**FOOTING CORNER REINFORCING PLAN 15**  
 Scale: 1 1/2" = 1'-0"  
 TYPICAL CORNER (S25)



**SLUDGE LOADOUT SUPPORT BLOCK DETAIL 16**  
 Scale: 1 1/2" = 1'-0"  
 (S25)

I HEREBY CERTIFY THAT THIS PLAN, SPECIFICATION, OR REPORT WAS PREPARED BY ME OR UNDER MY DIRECT SUPERVISION AND THAT I AM A DULY REGISTERED PROFESSIONAL ENGINEER UNDER THE LAWS OF THE STATE OF MINNESOTA.  
*David E. Cahill*  
 DATE 11/6/95 REG. NO. 22222



1326 ENERGY PARK DRIVE  
 ST. PAUL, MINNESOTA 55108  
 (612) 644-4389  
 9800 SHELARD PARKWAY  
 MINNEAPOLIS, MINNESOTA 55441  
 (612) 546-0432

DATE	DESCRIPTION

DESIGNED	DLC	GG
CHECKED	LJL	
DRAWN	GG	
GRAPHIC SCALE		
0	HORIZ.	1.33
0	VERT.	1.33

CITY OF ELK RIVER  
 WASTEWATER TREATMENT FACILITY UPGRADE  
 DIGESTED SLUDGE STORAGE TANK  
 DETAILS

**S25**

Tue Oct 3 08:52:49 1995