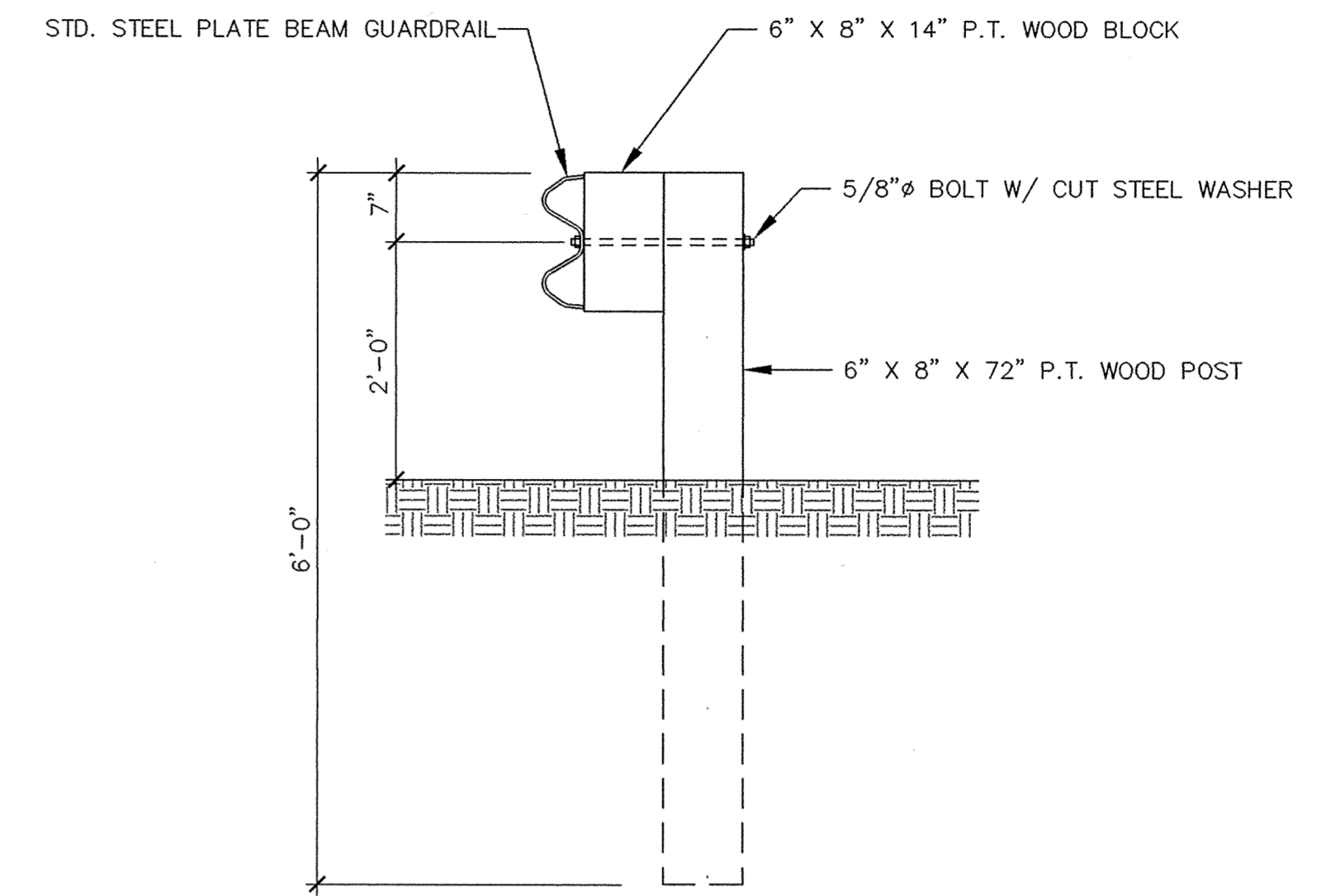
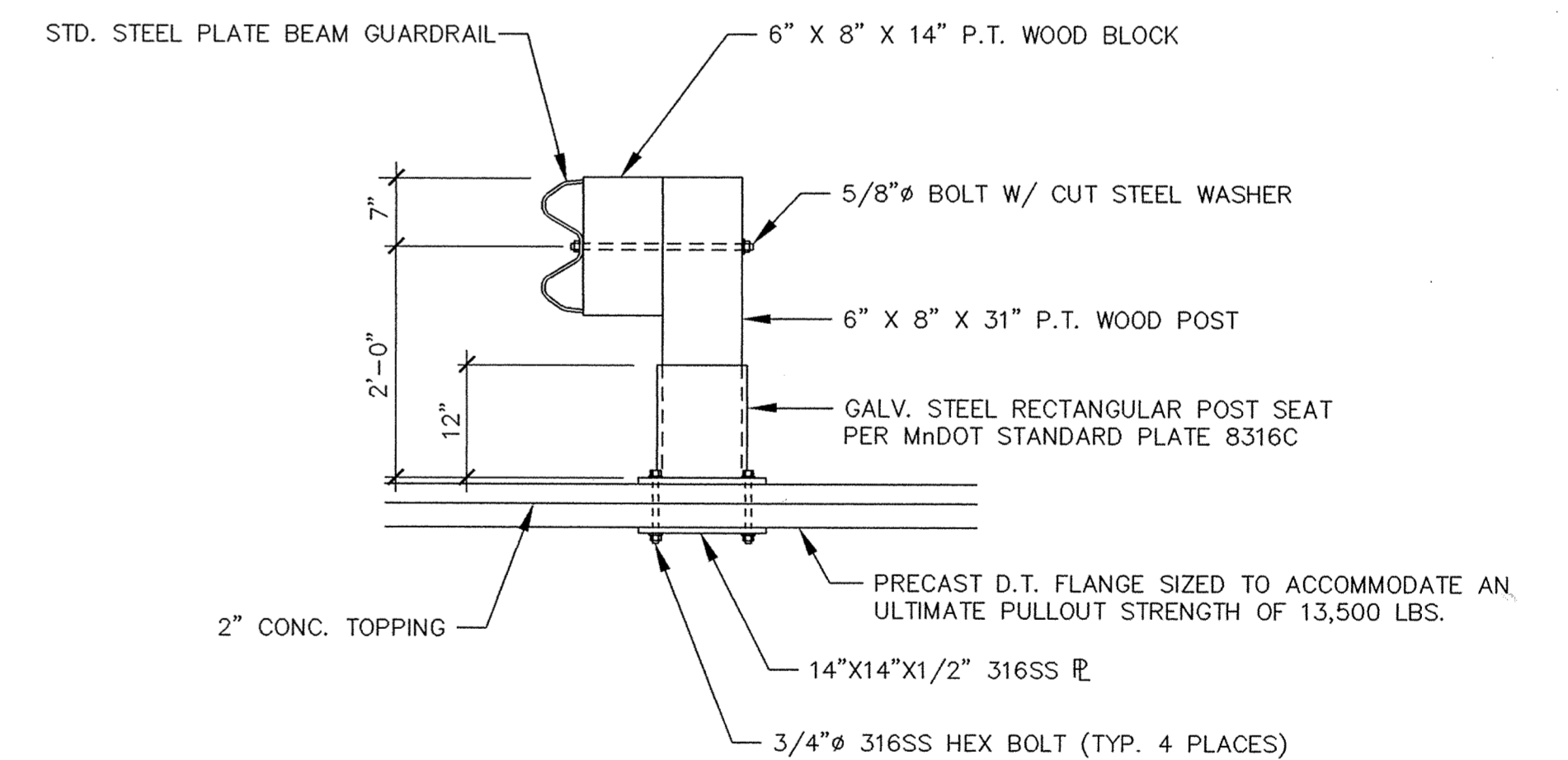


SUPERNATENT PIT SECTION 11 S24
Scale: 3/4" = 1'-0"



TYP. GUARDRAIL SECTION 12 S24
Scale: 3/4" = 1'-0"



TYP. GUARDRAIL SECTION 13 S24
Scale: 3/4" = 1'-0"

I HEREBY CERTIFY THAT THIS PLAN, SPECIFICATION, OR REPORT WAS PREPARED BY ME OR UNDER MY DIRECT SUPERVISION AND THAT I AM A DULY REGISTERED PROFESSIONAL ENGINEER UNDER THE LAWS OF THE STATE OF MINNESOTA.
David J. Cahill
DATE 11/6/95 REG. NO. 22222



1326 ENERGY PARK DRIVE
ST. PAUL, MINNESOTA 55108
(612) 644-4389
9800 SHELARD PARKWAY
MINNEAPOLIS, MINNESOTA 55441
(612) 546-0432

DATE	DESCRIPTION	DESIGNED DLG GG
		CHECKED LJJ
		DRAWN GG
		GRAPHIC SCALE
		0 HORIZ. 1.33
		0 VERT. 1.33

CITY OF ELK RIVER
WASTEWATER TREATMENT FACILITY UPGRADE
DIGESTED SLUDGE STORAGE TANK
SECTIONS

S24

DATE OCT. 1995 SHEET 44 OF 112 SHEETS PROJECT NO. 230-151