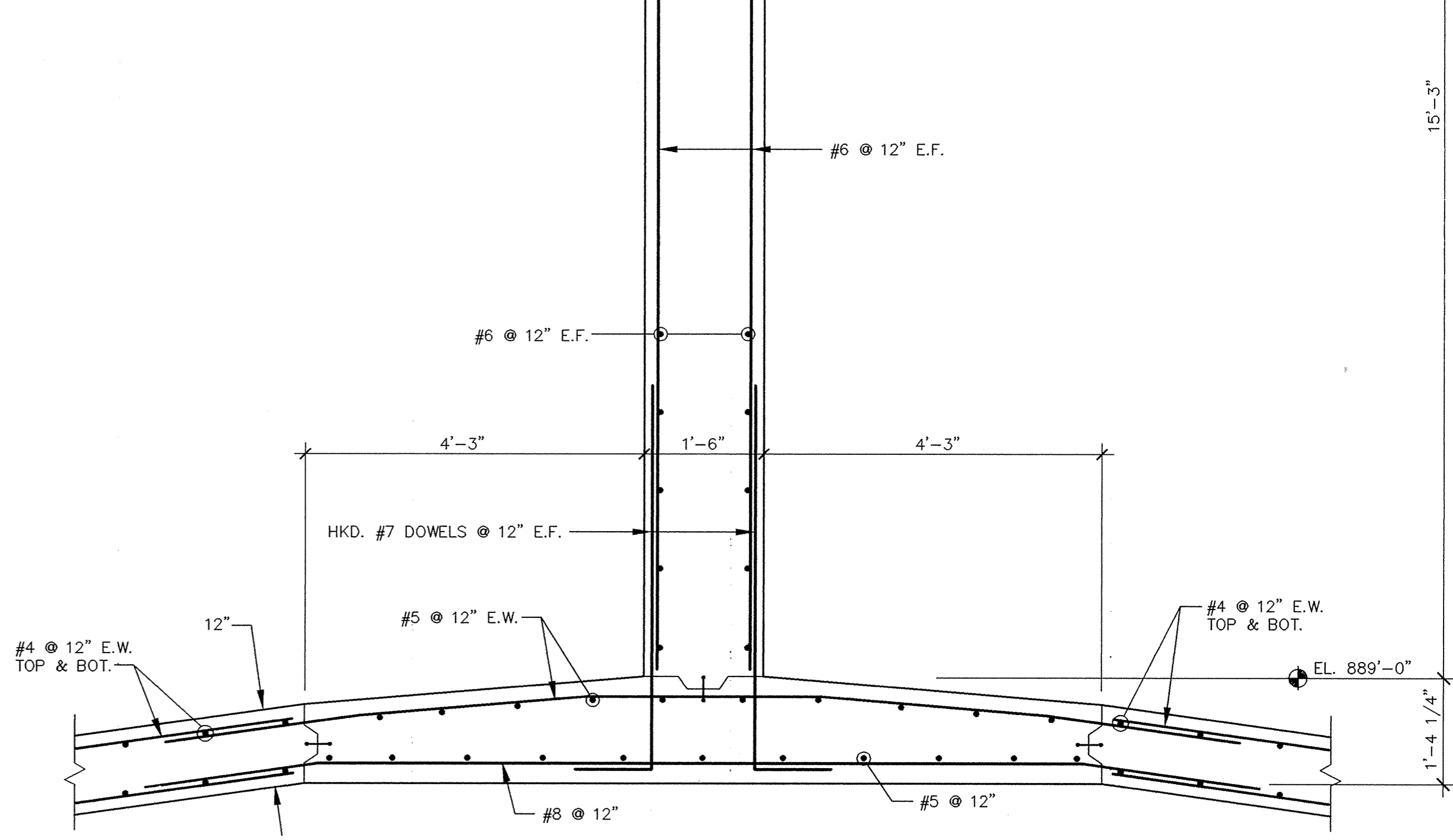
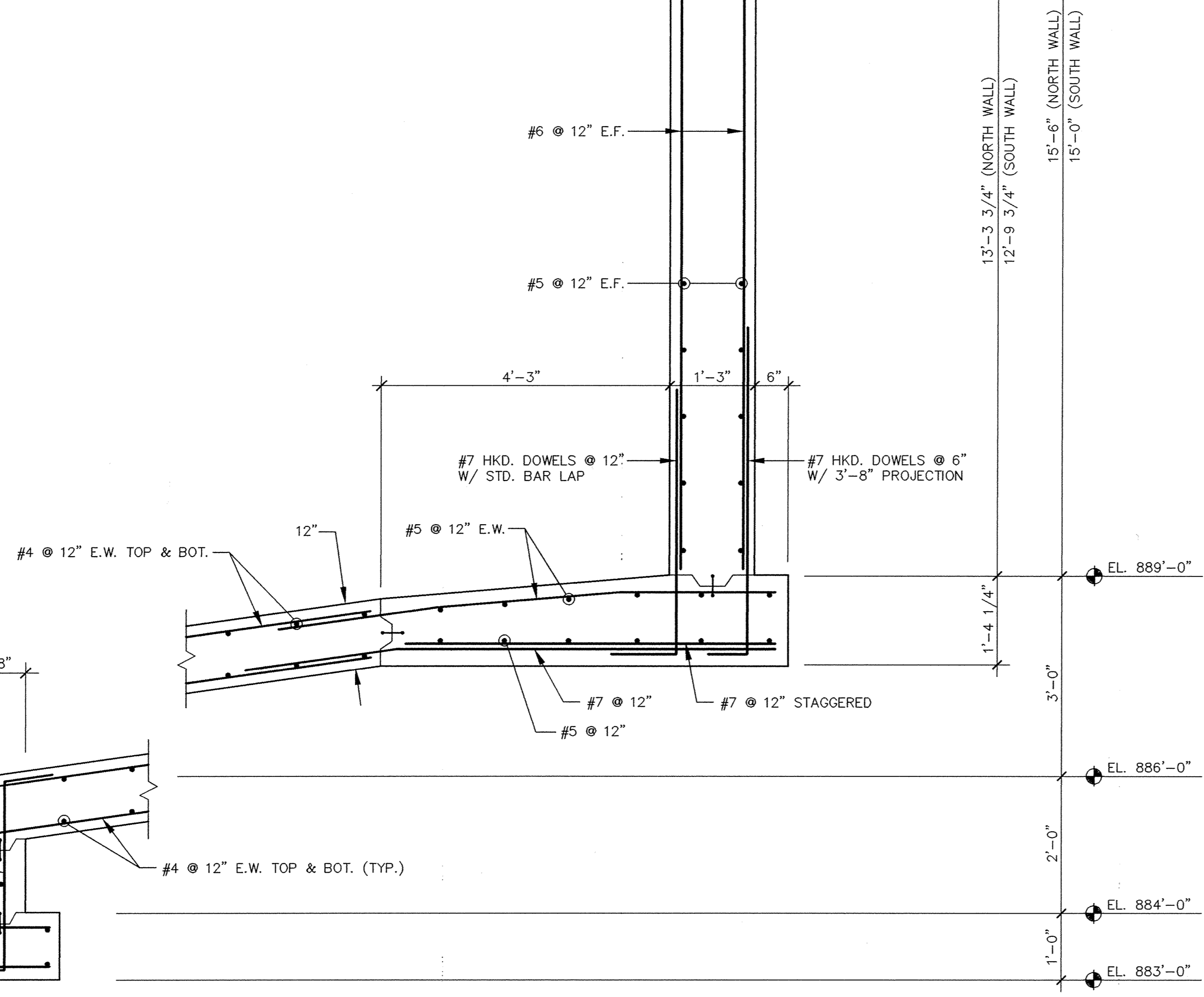
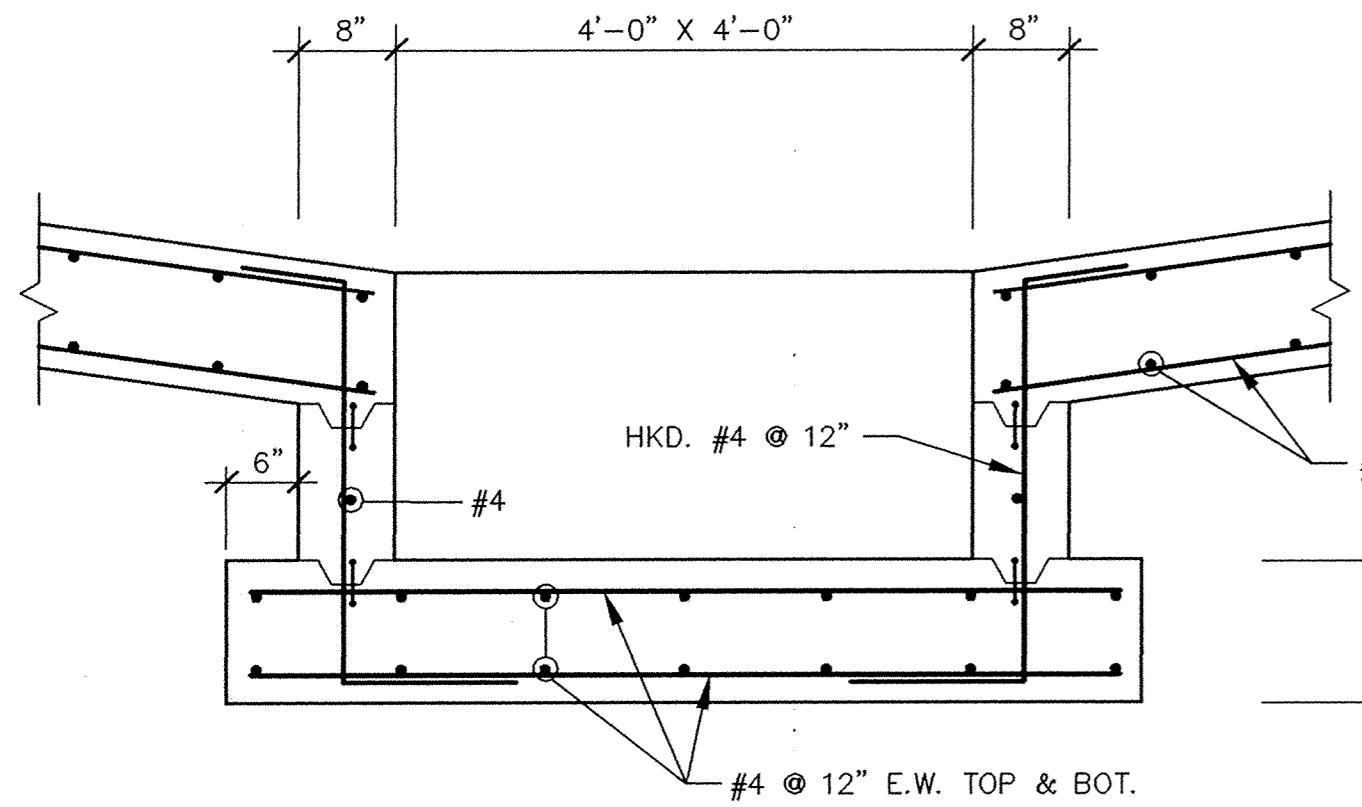


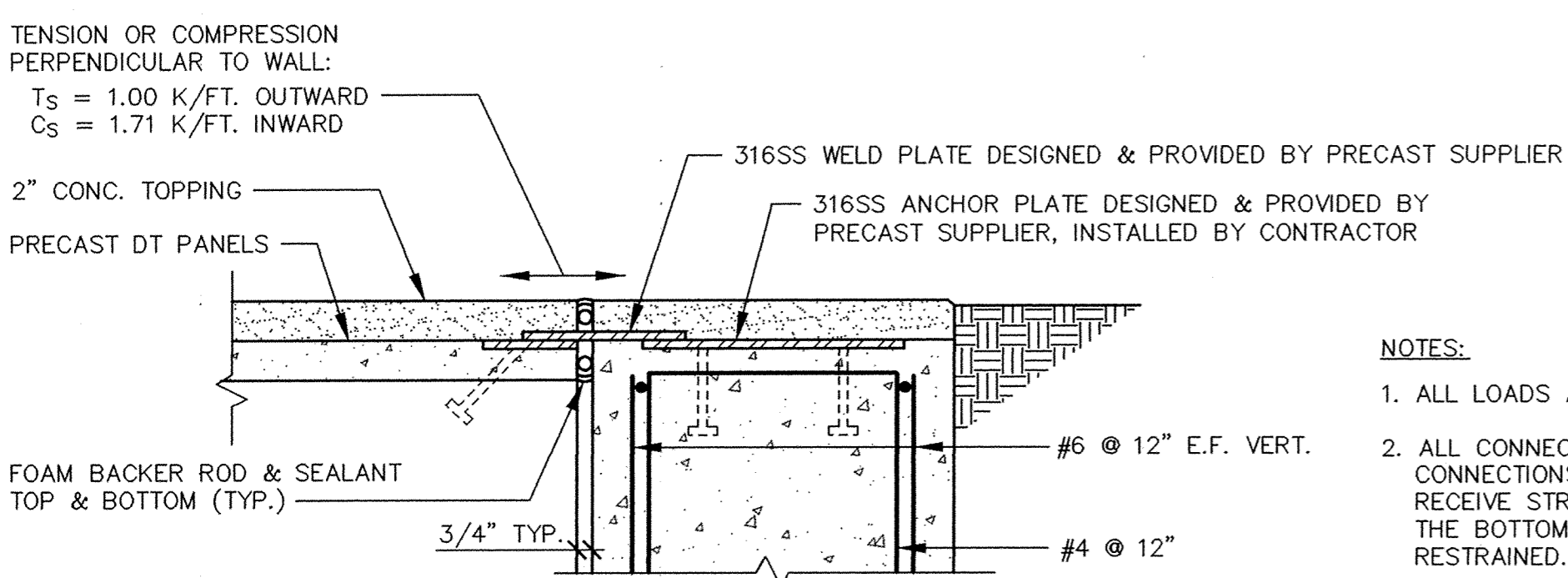
* DIMENSION MAY VARY WITH PRECAST MANUFACTURER, COORDINATE CORBEL ELEVATIONS WITH FINAL DESIGN DEPTH OF D.T. AS DETERMINED BY PRECAST SUPPLIER.



TYPICAL INTERIOR WALL SECTION (7) S23
Scale: 3/4" = 1'-0"

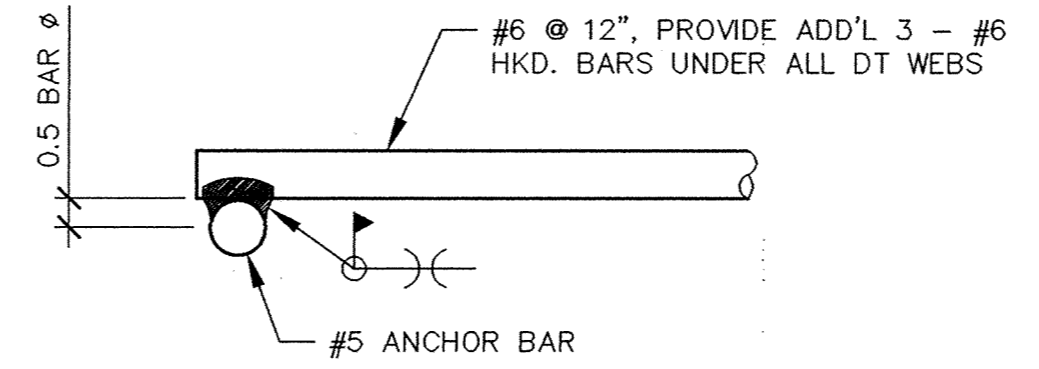


TYPICAL EXTERIOR BEARING WALL SECTION (6) S23
Scale: 3/4" = 1'-0"

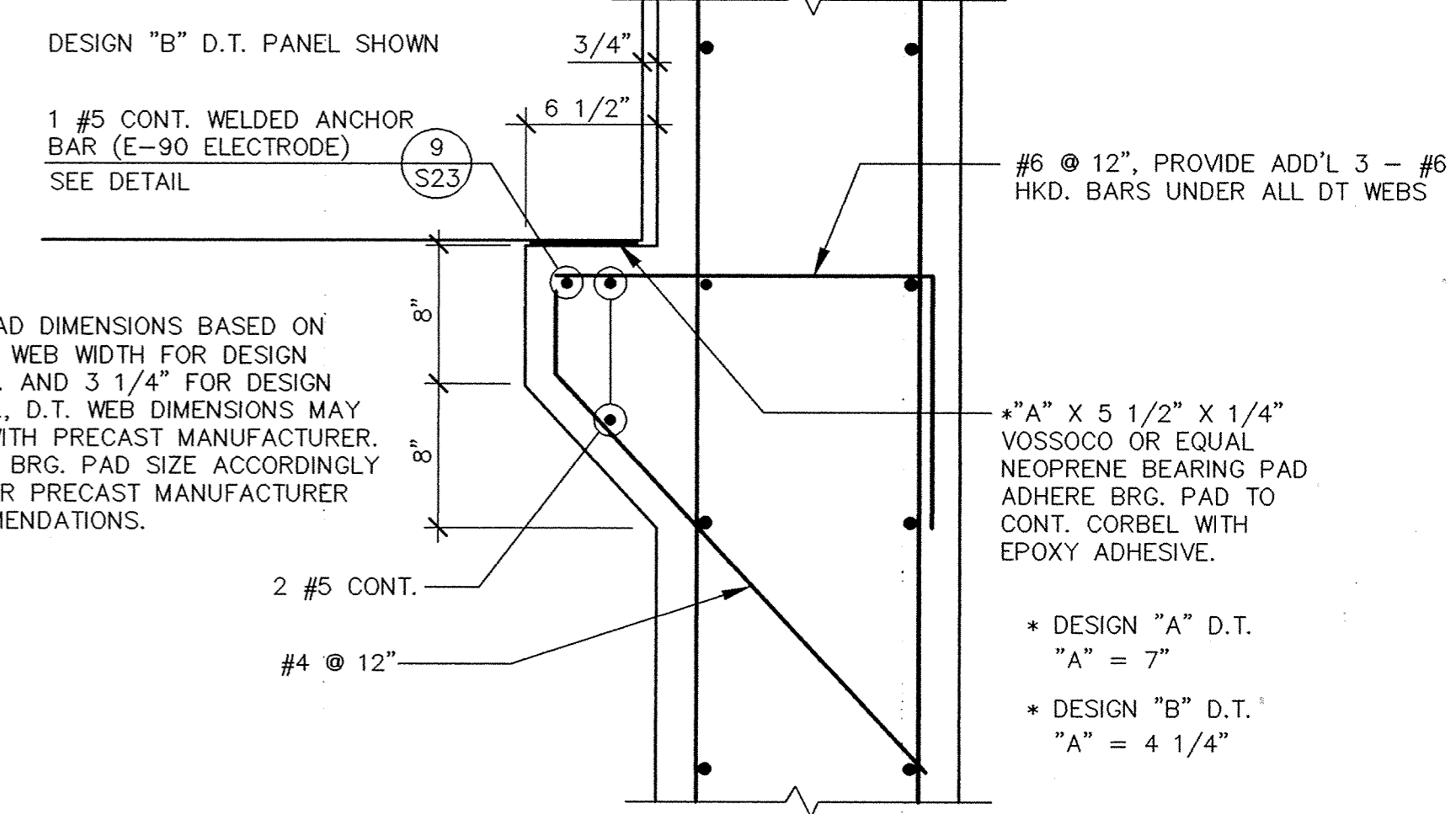


TYPICAL WELD CONNECTION DETAIL (8) S23
Scale: 1 1/2" = 1'-0"

- NOTES:**
- ALL LOADS ARE SERVICE LOADS
 - ALL CONNECTIONS SHALL BE DESIGNED AS SIMPLE CONNECTIONS WITH ADEQUATE FLEXIBILITY TO RECEIVE STRESSES FROM D.T. VOLUME CHANGES. THE BOTTOM OF THE D.T. STEM SHALL NOT BE RESTRAINED.



TYPICAL ANCHOR WELD DETAIL (9) S23
Scale: Half



TYPICAL CORBEL DETAIL (10) S23
Scale: 1 1/2" = 1'-0"

* BRG. PAD DIMENSIONS BASED ON 6" MIN. WEB WIDTH FOR DESIGN "A" D.T. AND 3 1/4" FOR DESIGN "B" D.T. D.T. WEB DIMENSIONS MAY VARY WITH PRECAST MANUFACTURER. ADJUST BRG. PAD SIZE ACCORDINGLY AND PER PRECAST MANUFACTURER RECOMMENDATIONS.

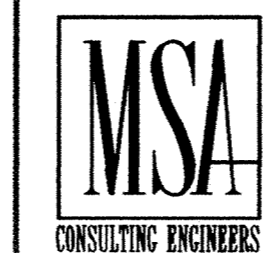
* "A" X 5 1/2" X 1/4" VOSSOCO OR EQUAL NEOPRENE BEARING PAD ADHERE BRG. PAD TO CONT. CORBEL WITH EPOXY ADHESIVE.

* DESIGN "A" D.T. "A" = 7"

* DESIGN "B" D.T. "A" = 4 1/4"

I HEREBY CERTIFY THAT THIS PLAN, SPECIFICATION, OR REPORT WAS PREPARED BY ME OR UNDER MY DIRECT SUPERVISION AND THAT I AM A DULY REGISTERED PROFESSIONAL ENGINEER UNDER THE LAWS OF THE STATE OF MINNESOTA.

D. J. C. C.
DATE 11/8/95 REG. NO. 22222



1326 ENERGY PARK DRIVE
ST. PAUL, MINNESOTA 55108
(612) 644-4389

9800 SHELARD PARKWAY
MINNEAPOLIS, MINNESOTA 55441
(612) 546-0432

DATE	DESCRIPTION	DESIGNED DLG GG
		CHECKED LUL
		DRAWN GG
		GRAPHIC SCALE
		0 HORIZ. 1.33
		0 VERT. 1.33

CITY OF ELK RIVER WASTEWATER TREATMENT FACILITY UPGRADE DIGESTED SLUDGE STORAGE TANK SECTIONS	SHEET 43 OF 112 SHEETS	PROJECT NO. 230-151
--	------------------------	---------------------

S23