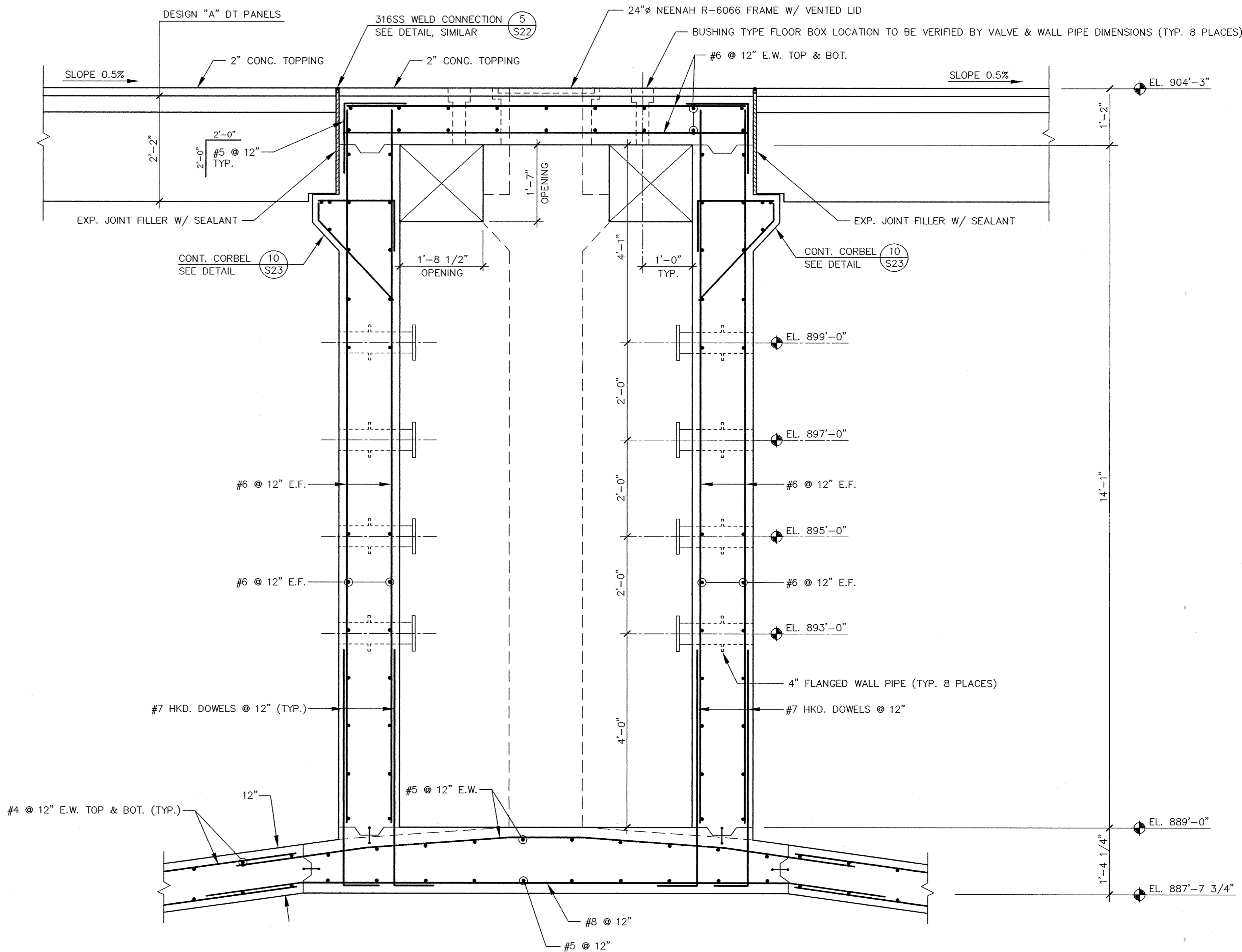
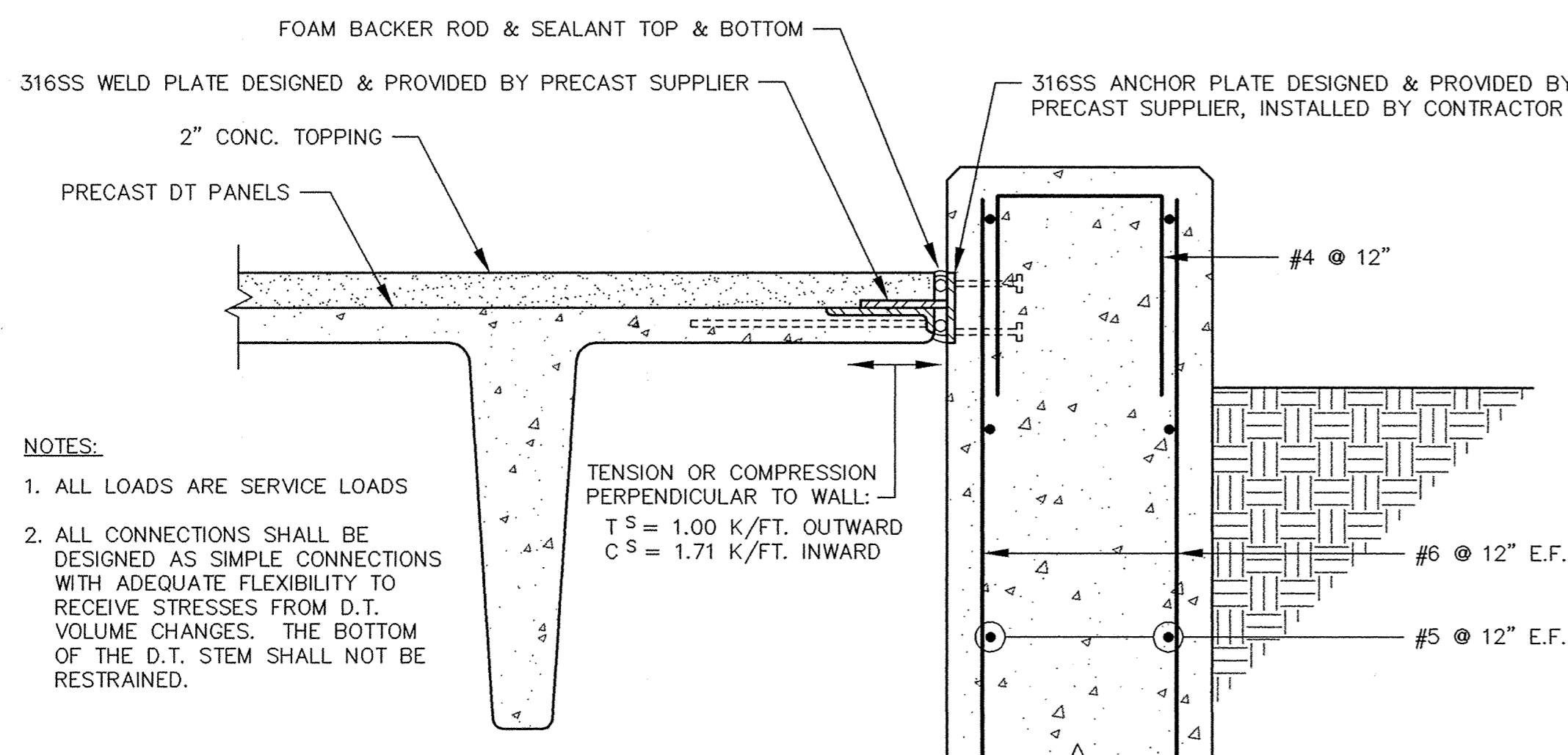


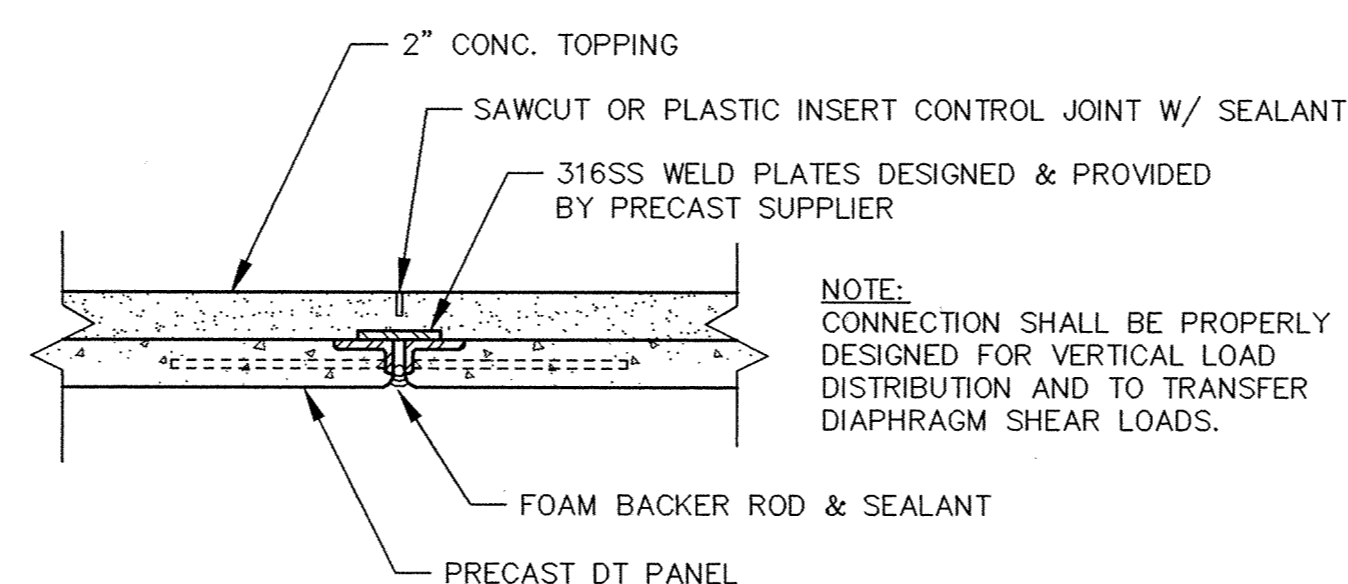
TYPICAL EXTERIOR NON-BEARING WALL SECTION (1)
Scale: 3/4" = 1'-0"



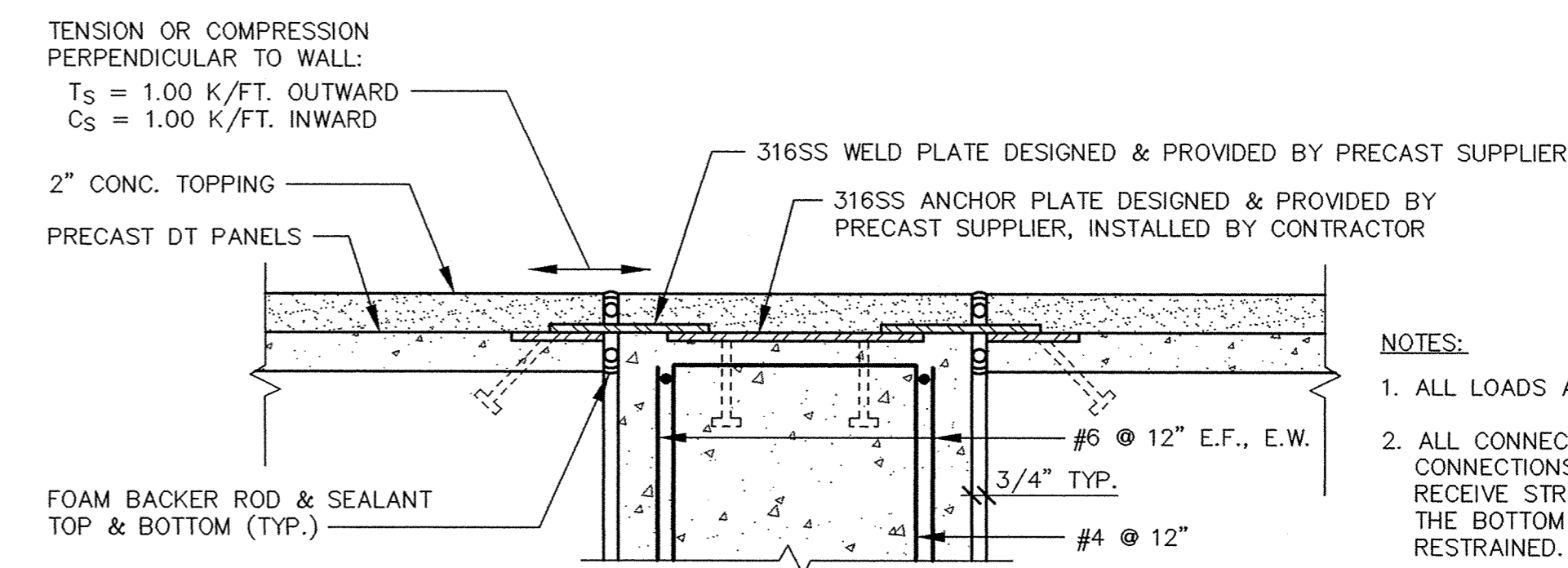
SUPERNATANT PIT SECTION (2)
Scale: 3/4" = 1'-0"



TYPICAL WELD CONNECTION DETAIL (3)
Scale: 1 1/2" = 1'-0"



TYPICAL WELD CONNECTION DETAIL (4)
Scale: 1 1/2" = 1'-0"



TYPICAL WELD CONNECTION DETAIL (5)
Scale: 1 1/2" = 1'-0"

- NOTES:
1. ALL LOADS ARE SERVICE LOADS
 2. ALL CONNECTIONS SHALL BE DESIGNED AS SIMPLE CONNECTIONS WITH ADEQUATE FLEXIBILITY TO RECEIVE STRESSES FROM D.T. VOLUME CHANGES. THE BOTTOM OF THE D.T. STEM SHALL NOT BE RESTRAINED.

- NOTES:
1. ALL LOADS ARE SERVICE LOADS
 2. ALL CONNECTIONS SHALL BE DESIGNED AS SIMPLE CONNECTIONS WITH ADEQUATE FLEXIBILITY TO RECEIVE STRESSES FROM D.T. VOLUME CHANGES. THE BOTTOM OF THE D.T. STEM SHALL NOT BE RESTRAINED.

I HEREBY CERTIFY THAT THIS PLAN, SPECIFICATION, OR REPORT WAS PREPARED BY ME OR UNDER MY DIRECT SUPERVISION AND THAT I AM A DULY REGISTERED PROFESSIONAL ENGINEER UNDER THE LAWS OF THE STATE OF MINNESOTA.
D. J. C. C.
DATE 11/8/95 REG. NO. 22222



1326 ENERGY PARK DRIVE
ST. PAUL, MINNESOTA 55108
(612) 644-4389

9800 SHELARD PARKWAY
MINNEAPOLIS, MINNESOTA 55441
(612) 546-0432

REVISIONS	DATE	DESCRIPTION	DESIGNED DLG/GG	CHECKED LJJ	DRAWN GG

GRAPHIC SCALE
0 HORIZ. 1.33
0 VERT. 1.33

CITY OF ELK RIVER
WASTEWATER TREATMENT FACILITY UPGRADE
DIGESTED SLUDGE STORAGE TANK
SECTIONS

S22