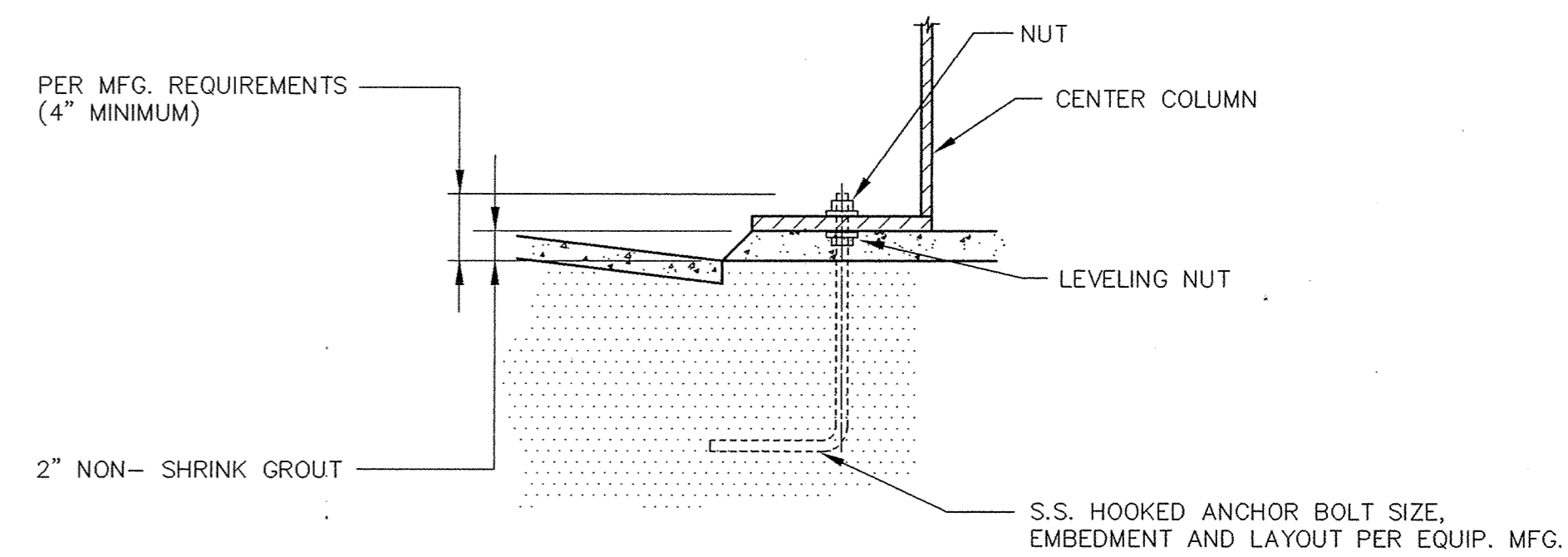


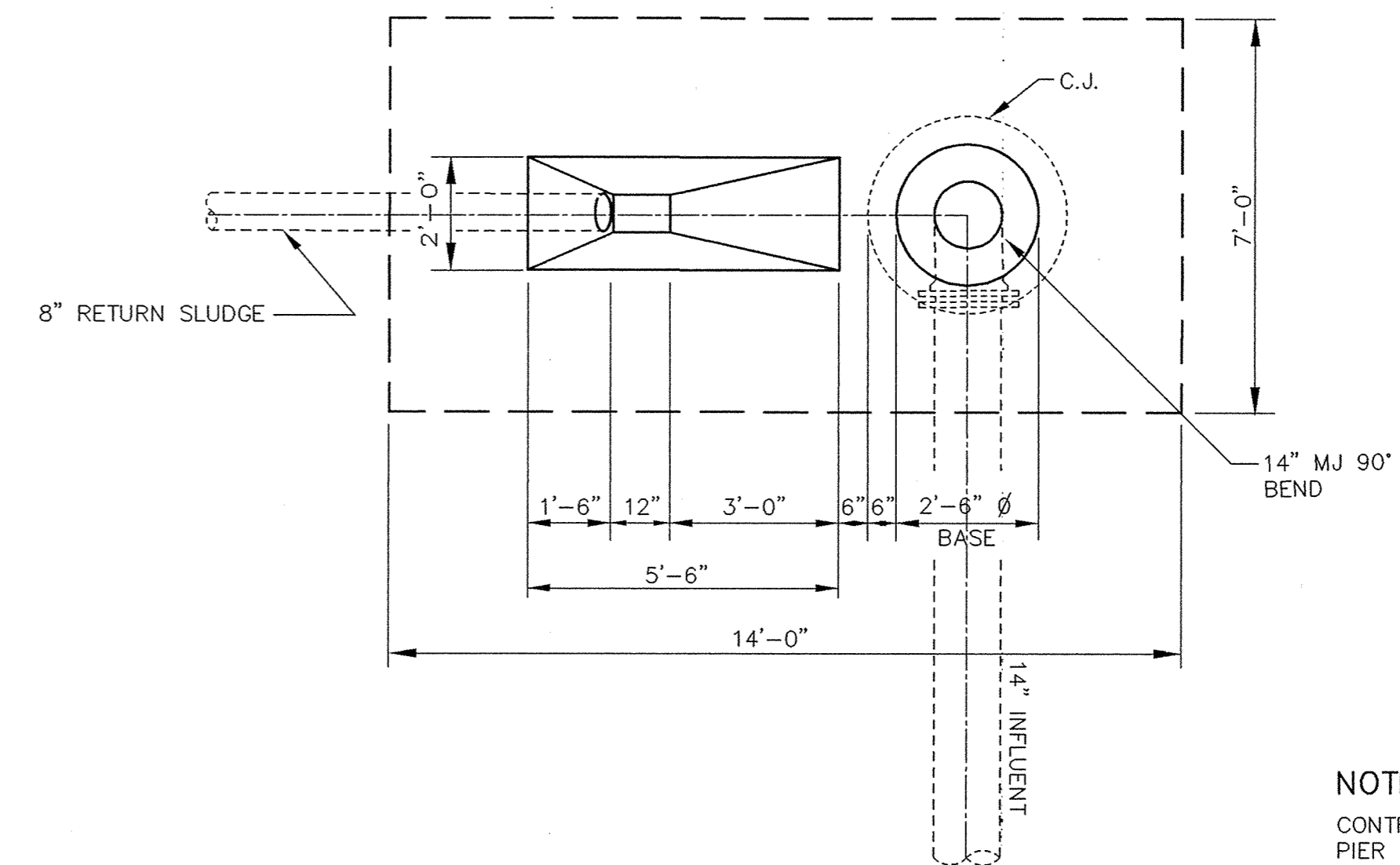
NOTE

1. FINAL CLARIFIER NO. 2 SHOWN, FINAL CLARIFIER NO. 1 AND NO. 3 SIMILAR. SEE PROCESS DWGS. FOR TANK ORIENTATION AND INFLUENT AND EFFLUENT PIPING LOCATIONS.
2. END REINF. AT SLUDGE HOPPER TO PROVIDE 2" CLEARANCE.
3. SEE SHEET P13 FOR WEIR & BAFFLE PLATE DETAILS.
4. COORDINATE W/ CLARIFIER MANUFACTURER TO DETERMINE WALKWAY BRIDGE S.S. HOOK CONCRETE ANCHOR BOLTS SIZE AND SPACING AT BRIDGE BEARING SUPPORT.

BOTTOM SLAB REINFORCING PLAN
Scale: 1/4" = 1'-0"

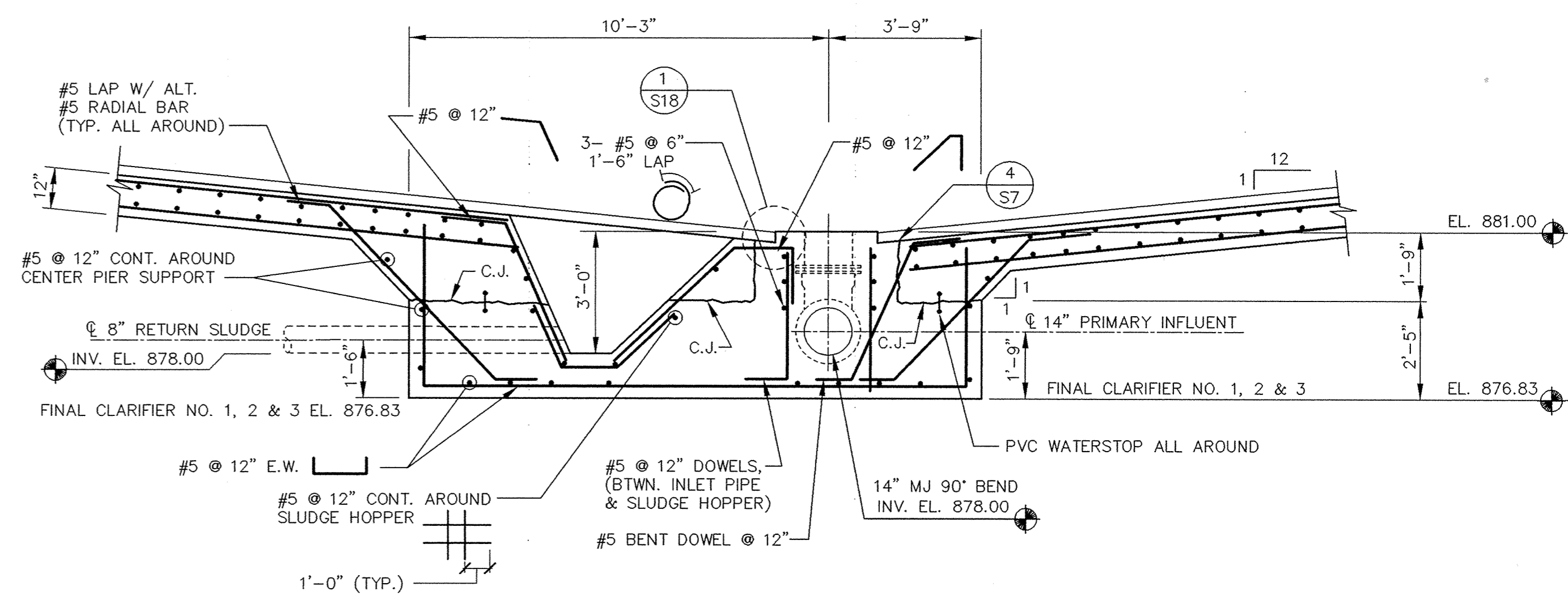


ANCHOR DETAIL 1
N.T.S. S18



SLUDGE HOPPER DETAIL 2
Scale: 3/8" = 1'-0" S18

NOTE
CONTRACTOR SHALL VERIFY CENTER PIER BASE SIZE AND CENTER PIER BASE ANCHORAGE W/ EQUIP. MFG.



CENTER PIER SUPPORT AND SLUDGE HOPPER DETAIL 3
Scale: 3/8" = 1'-0" S18

I HEREBY CERTIFY THAT THIS PLAN, SPECIFICATION, OR REPORT WAS PREPARED BY ME OR UNDER MY DIRECT SUPERVISION AND THAT I AM A DULY REGISTERED PROFESSIONAL ENGINEER UNDER THE LAWS OF THE STATE OF MINNESOTA.
DATE 11/17/95 REG. NO. 22222



1326 ENERGY PARK DRIVE
ST. PAUL, MINNESOTA 55108
(612) 644-4389
9800 SHELARD PARKWAY
MINNEAPOLIS, MINNESOTA 55441
(612) 546-0432

| DATE | DESCRIPTION | DESIGNED DLC |
|------|-------------|---------------|
| | | CHECKED TAR |
| | | DRAWN TB |
| | | GRAPHIC SCALE |
| | | 0 HORIZ. 2.67 |
| | | 0 VERT. 2.67 |

CITY OF ELK RIVER
WASTEWATER TREATMENT FACILITY UPGRADE
FINAL CLARIFIER NO. 1, NO. 2 AND NO. 3
DETAILS AND SECTIONS