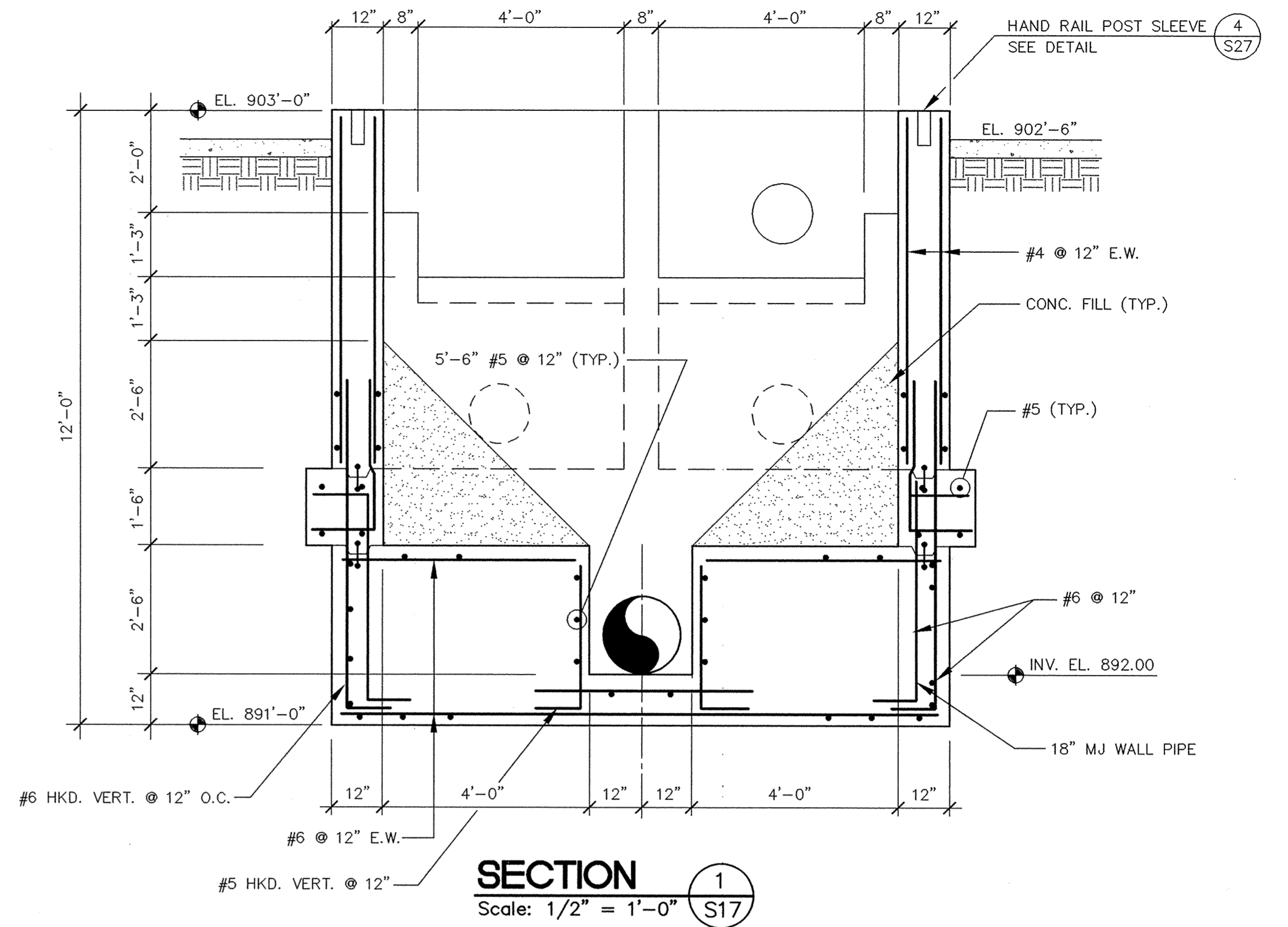
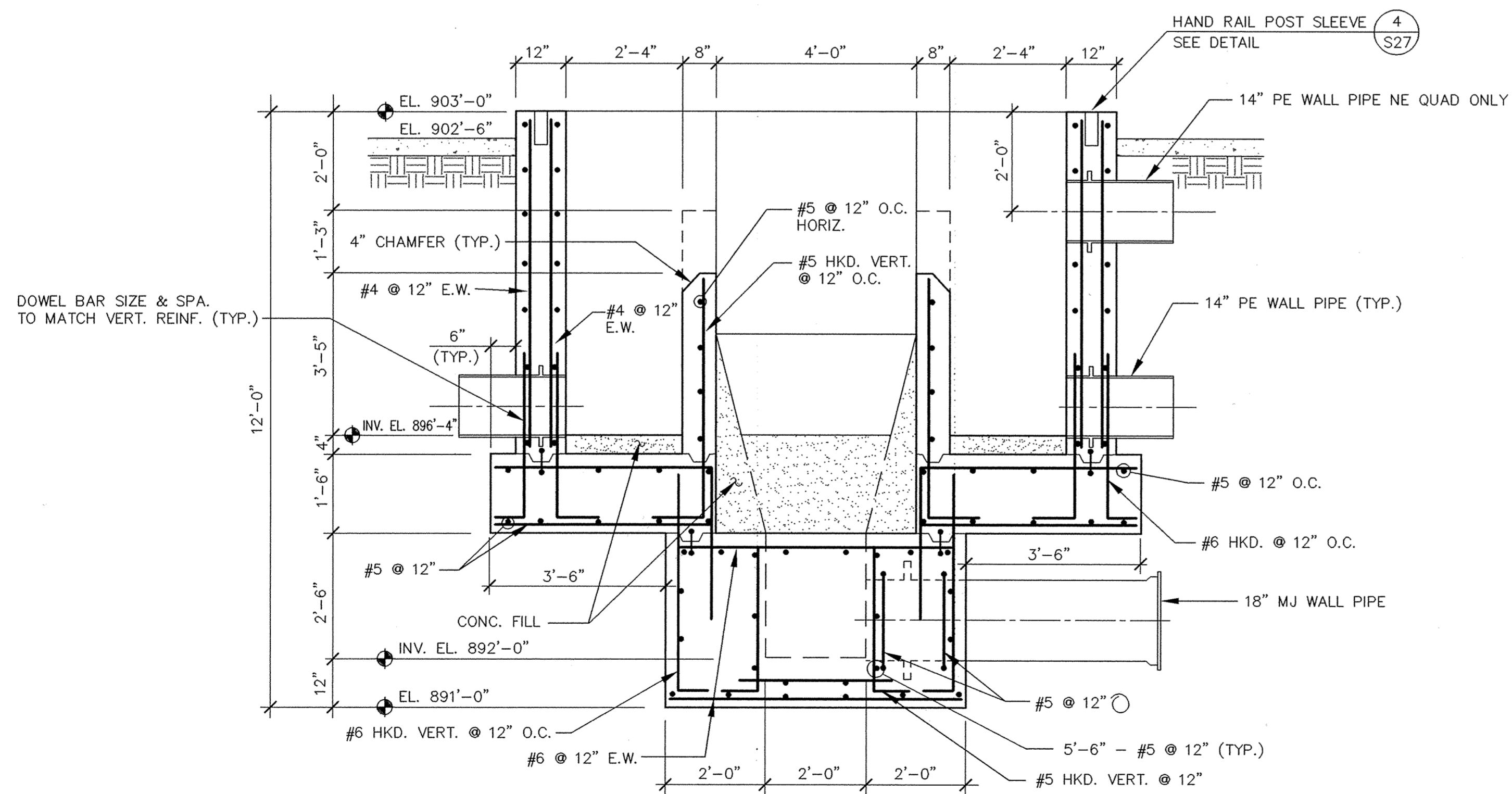


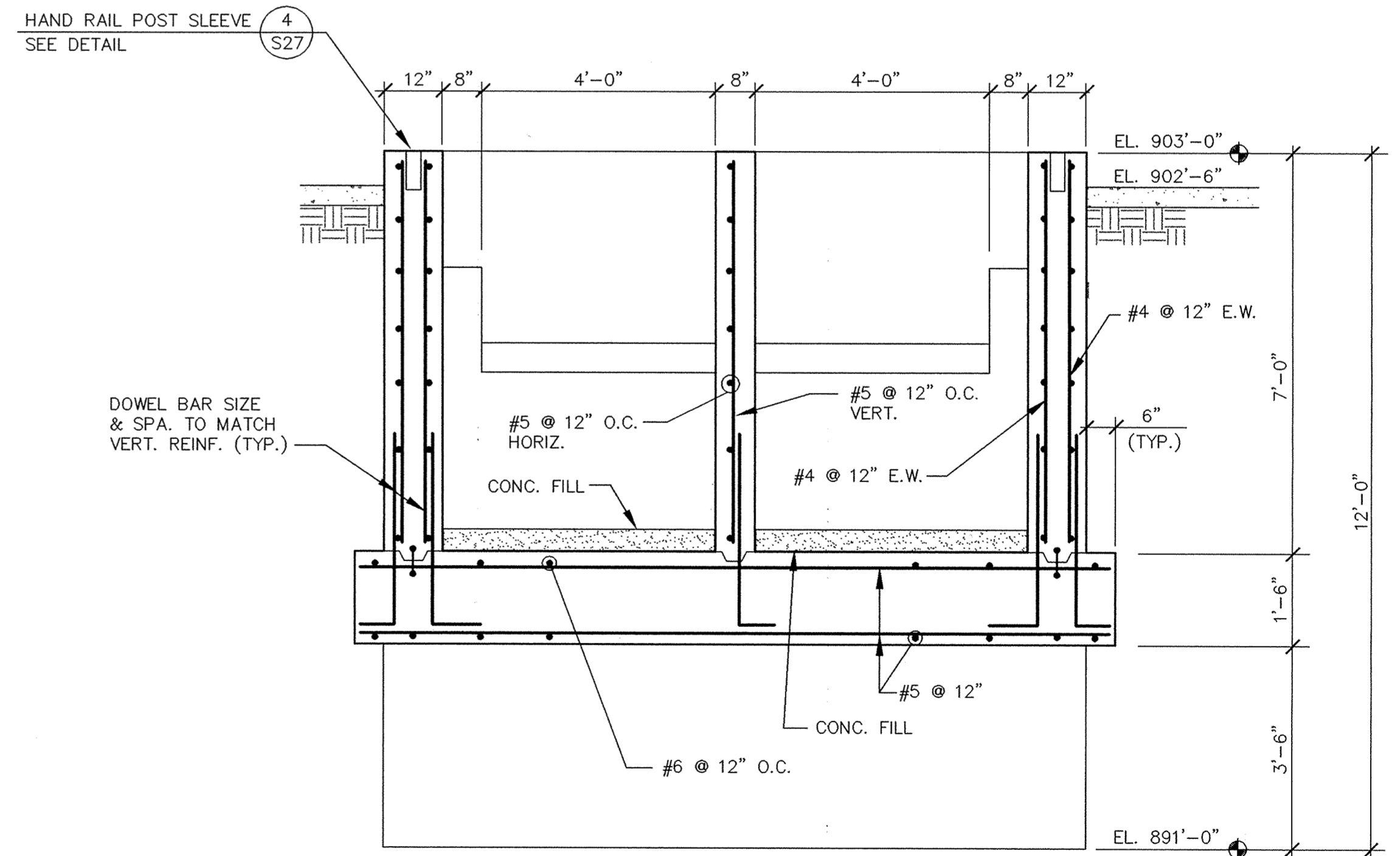
**SPLITTER BOX PLAN**  
Scale: 1/2" = 1'-0"



**SECTION 1**  
Scale: 1/2" = 1'-0" S17



**SECTION 2**  
Scale: 1/2" = 1'-0" S17



**SECTION 3**  
Scale: 1/2" = 1'-0" S17

I HEREBY CERTIFY THAT THIS PLAN, SPECIFICATION, OR REPORT WAS PREPARED BY ME OR UNDER MY DIRECT SUPERVISION AND THAT I AM A DULY REGISTERED PROFESSIONAL ENGINEER UNDER THE LAWS OF THE STATE OF MINNESOTA.  
*David J. Call*  
DATE 11/7/95 REG. NO. 2222



1326 ENERGY PARK DRIVE  
ST. PAUL, MINNESOTA 55108  
(612) 644-4389  
9800 SHELARD PARKWAY  
MINNEAPOLIS, MINNESOTA 55441  
(612) 546-0432

DATE	DESCRIPTION	DESIGNED	DLC
		CHECKED	TAR
		DRAWN	TB GG
		GRAPHIC SCALE	
		0	HORIZ. 2
		0	VERT. 2

CITY OF ELK RIVER  
WASTEWATER TREATMENT FACILITY UPGRADE  
SPLITTER BOX  
STRUCTURAL PLAN & SECTIONS

**S17**