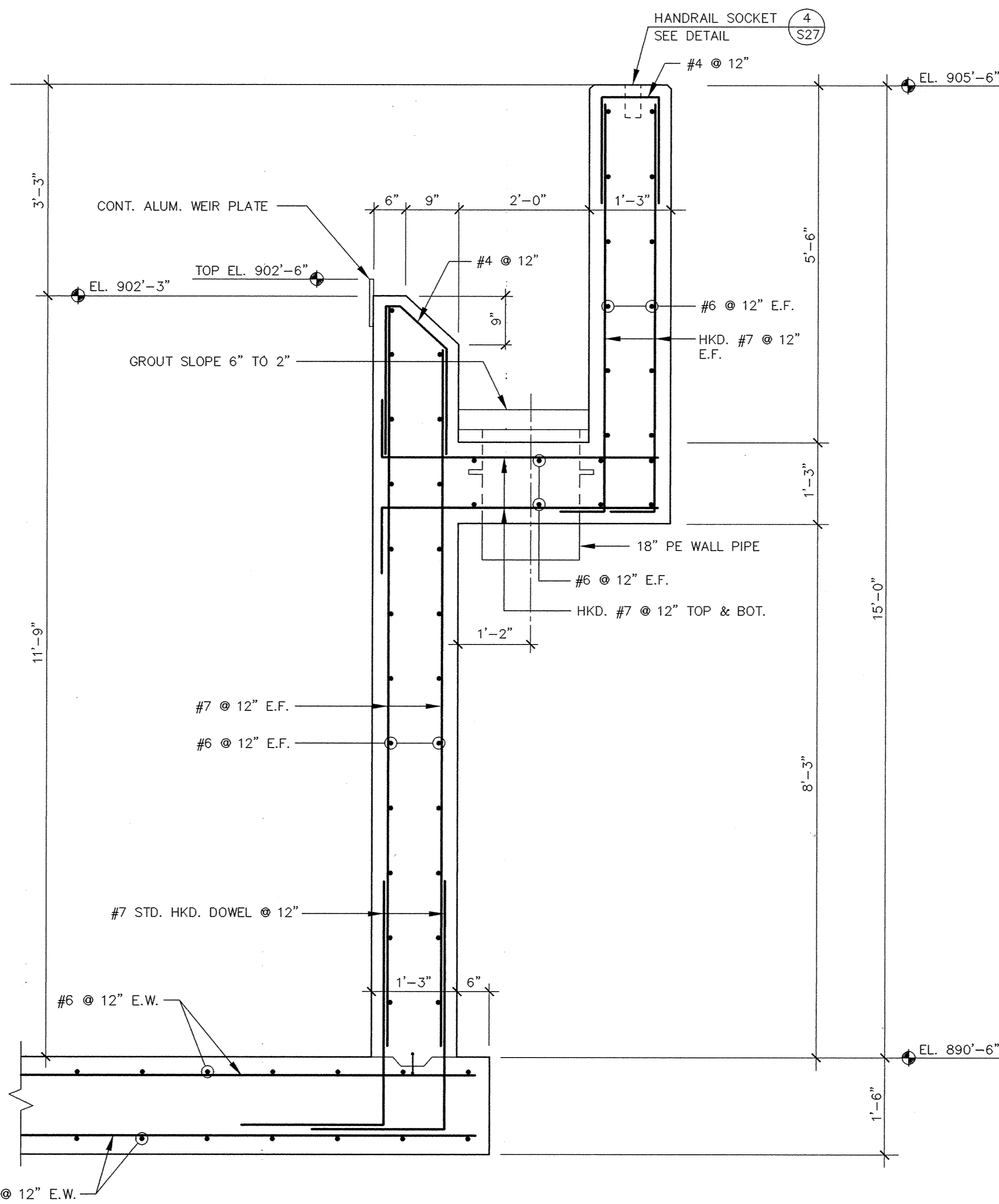
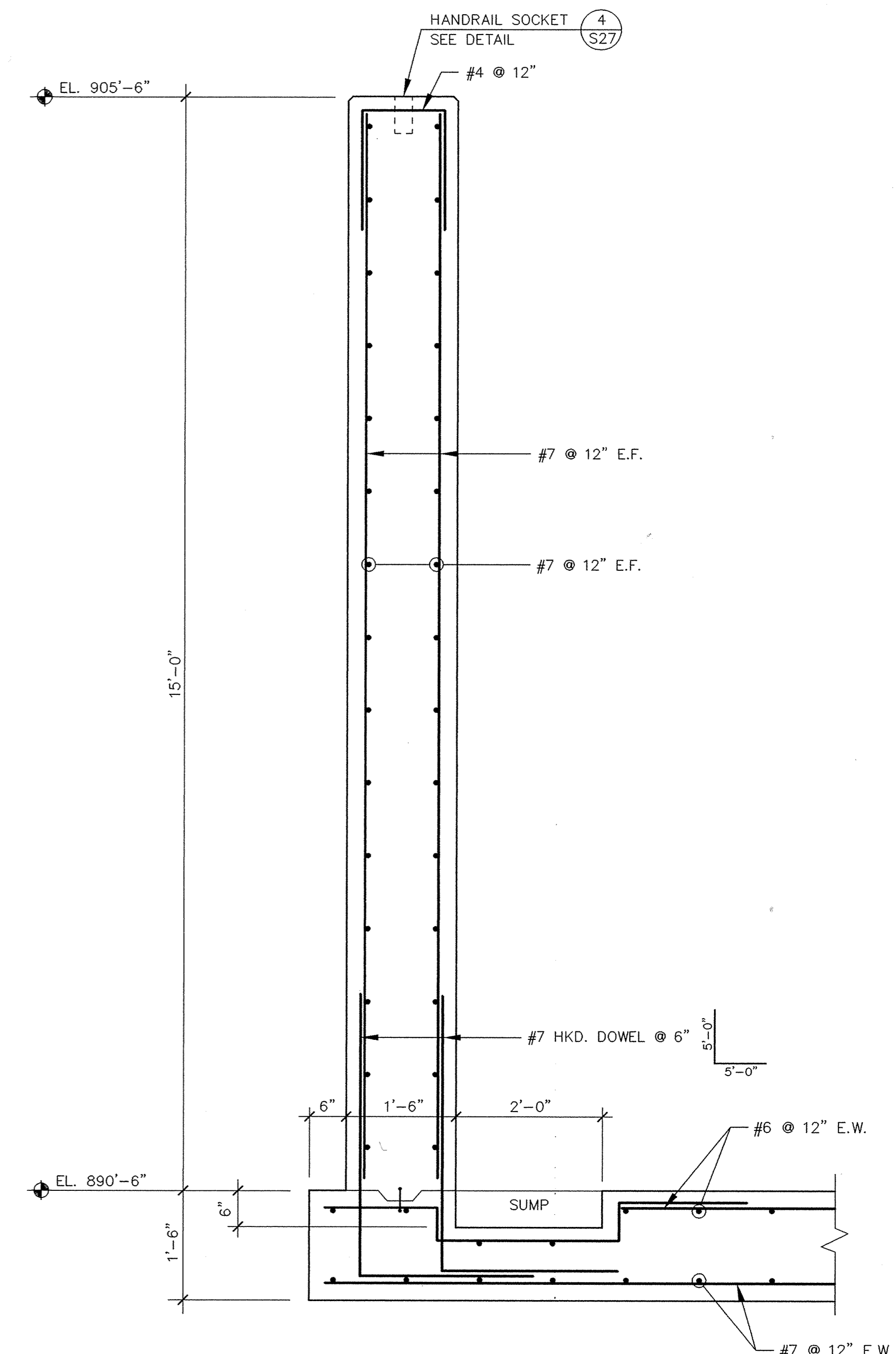


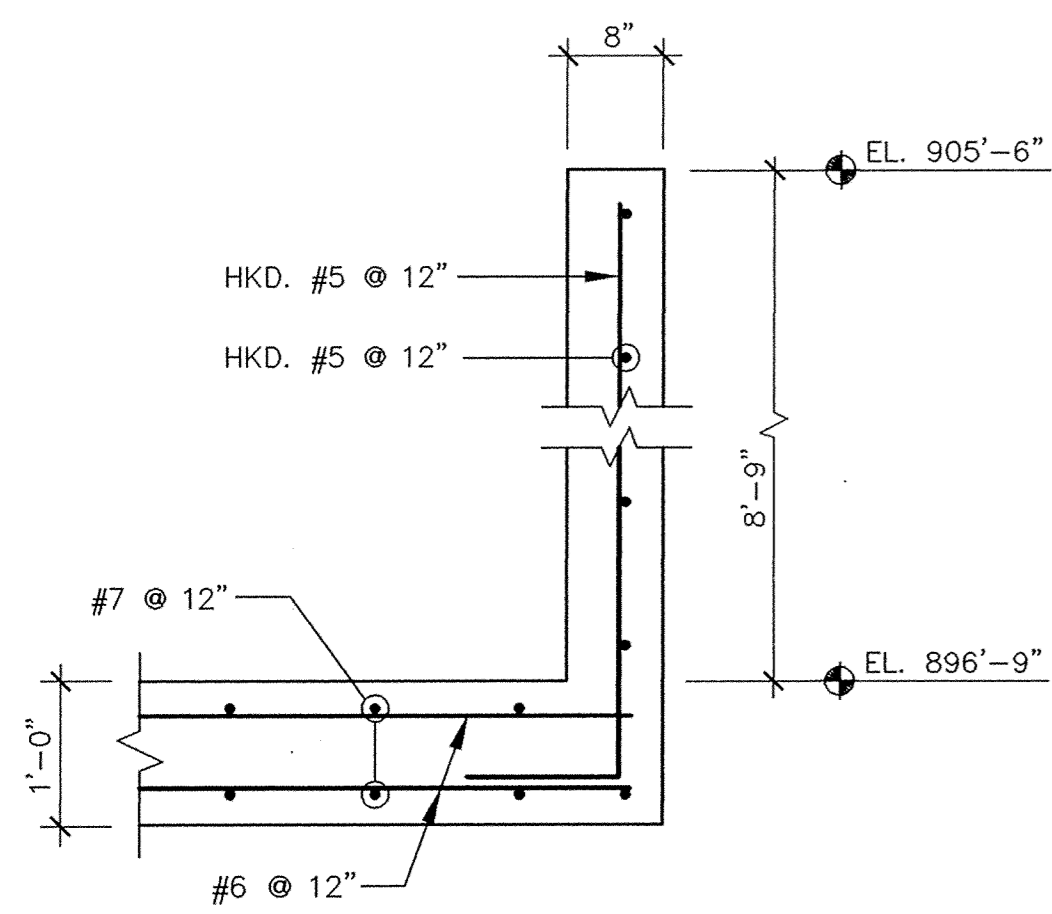
**TYPICAL WALL SECTION 1**  
Scale: 3/4" = 1'-0"  
S16



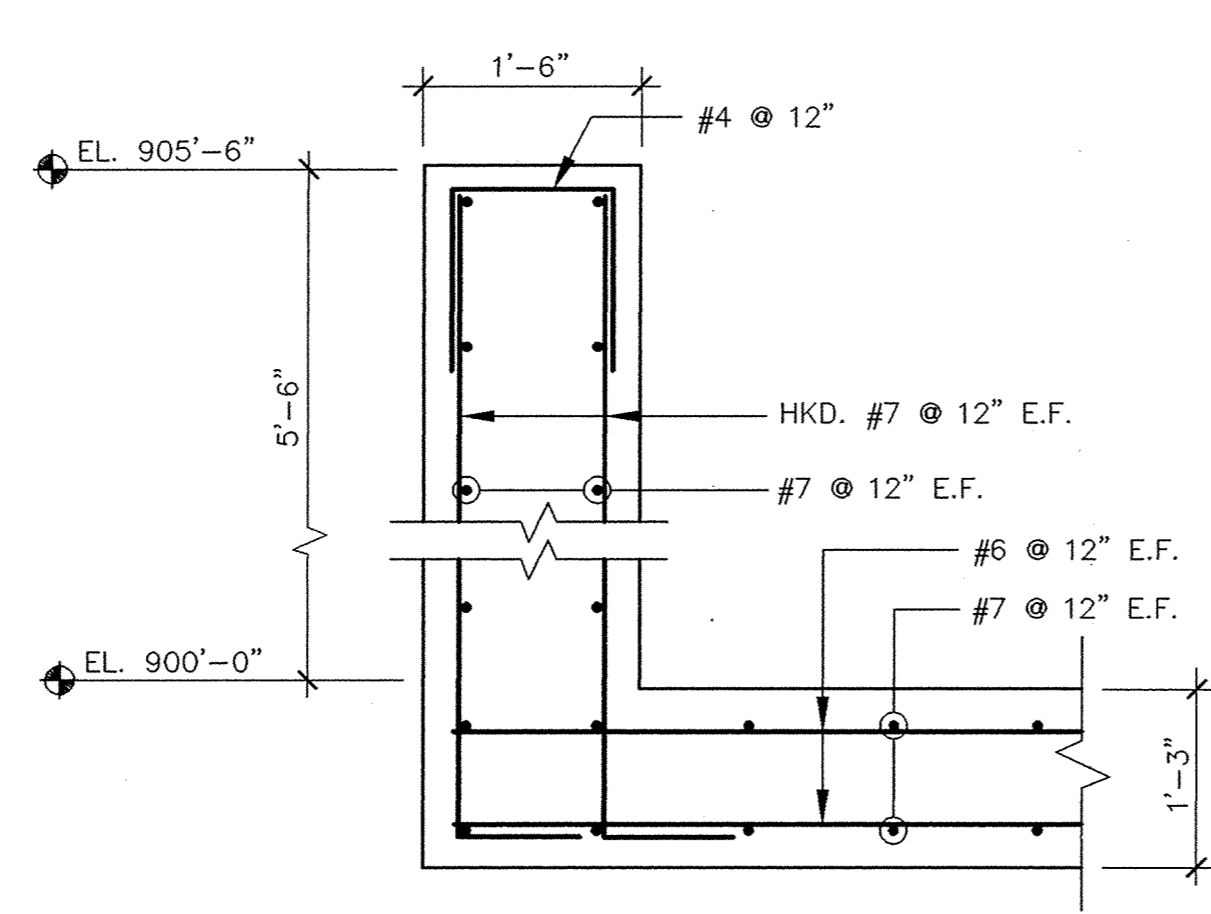
**TYPICAL WALL SECTION 2**  
Scale: 3/4" = 1'-0"  
S16



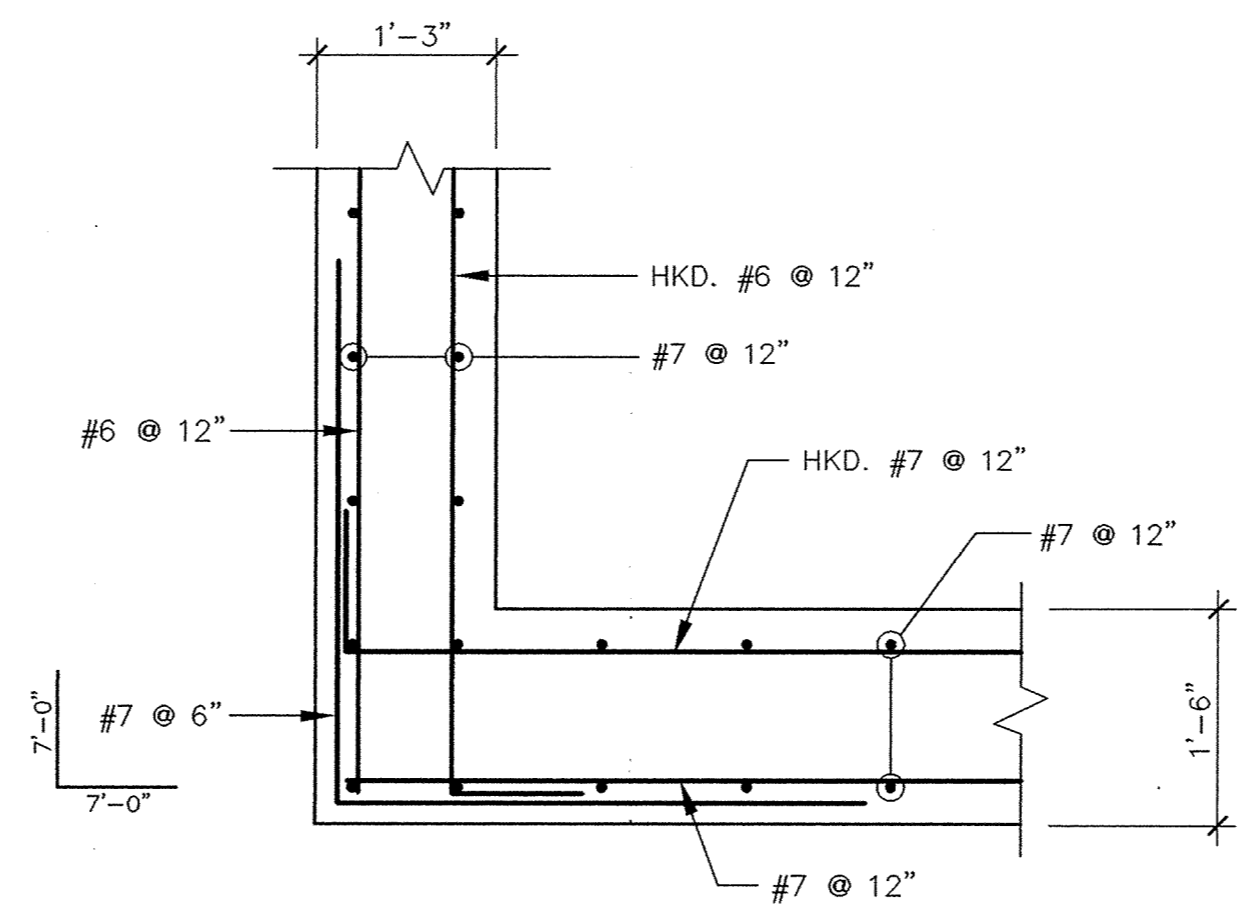
**TYPICAL WALL SECTION 3**  
Scale: 3/4" = 1'-0"  
S16



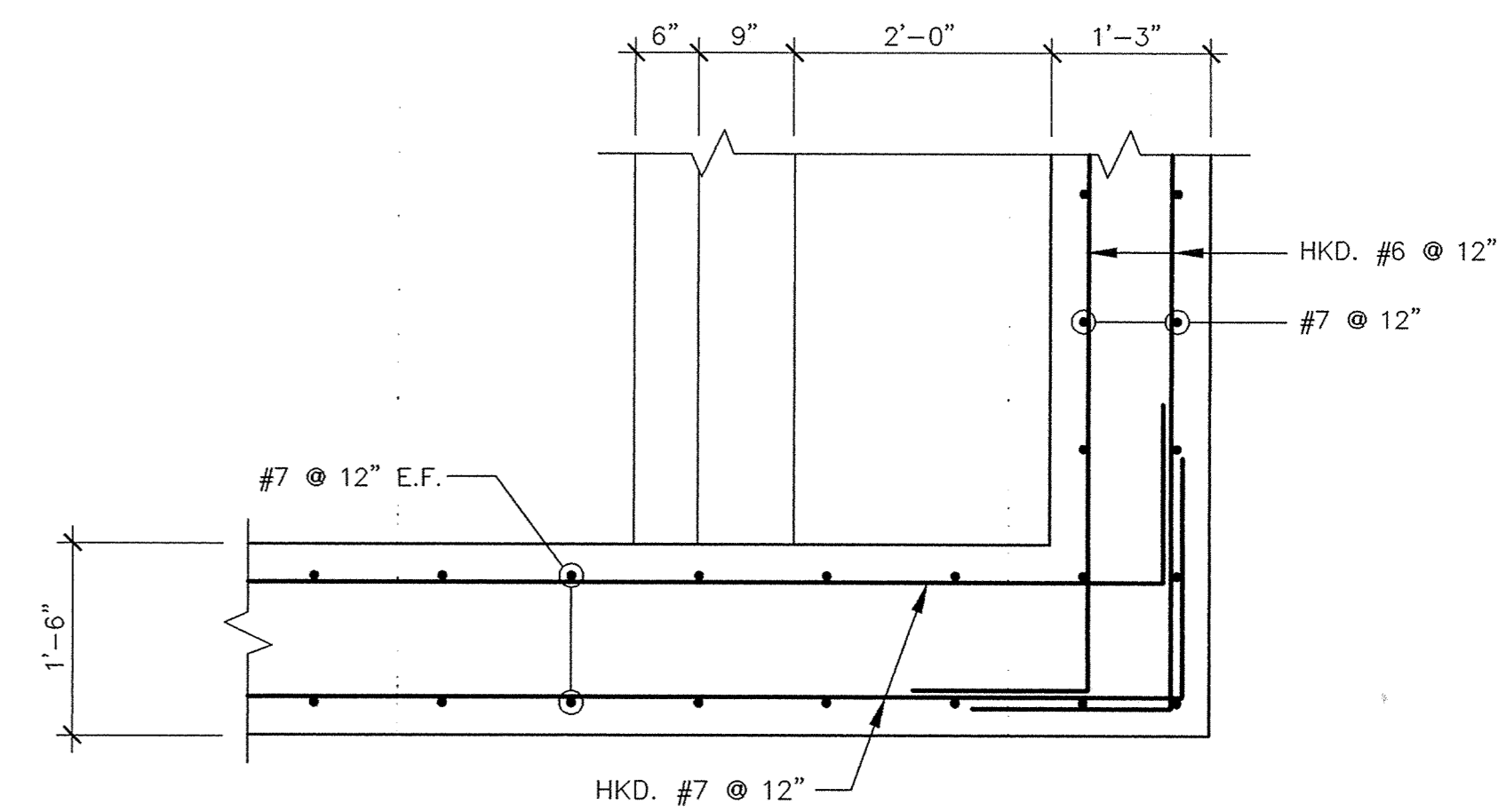
**SECTION 4**  
Scale: 3/4" = 1'-0"  
S16



**SECTION 5**  
Scale: 3/4" = 1'-0"  
S16



**TYPICAL TANK CORNER DETAIL 6**  
Scale: 3/4" = 1'-0"  
S16



**TYPICAL EFFLUENT TROUGH CORNER DETAIL 7**  
Scale: 3/4" = 1'-0"  
S16

I HEREBY CERTIFY THAT THIS PLAN, SPECIFICATION, OR REPORT WAS PREPARED BY ME OR UNDER MY DIRECT SUPERVISION AND THAT I AM A DULY REGISTERED PROFESSIONAL ENGINEER UNDER THE LAWS OF THE STATE OF MINNESOTA.  
*David L. Campbell*  
DATE: 11/29/95 REG. NO. 22222



1326 ENERGY PARK DRIVE  
ST. PAUL, MINNESOTA 55108  
(612) 644-4389  
9800 SHELARD PARKWAY  
MINNEAPOLIS, MINNESOTA 55441  
(612) 546-0432

DATE	DESCRIPTION	DESIGNED <u>DLC/GG</u>
		CHECKED <u>LJL</u>
		DRAWN <u>GG</u>
		GRAPHIC SCALE
		0 HORIZ. 1.33
		0 VERT. 1.33

CITY OF ELK RIVER WASTEWATER TREATMENT FACILITY UPGRADE AERATION TANK SECTIONS			<b>S16</b>
DATE <u>OCT. 1995</u>	SHEET <u>36</u> OF <u>112</u> SHEETS	PROJECT NO. <u>230-151</u>	

Mon Oct 2 14:46:48 1995