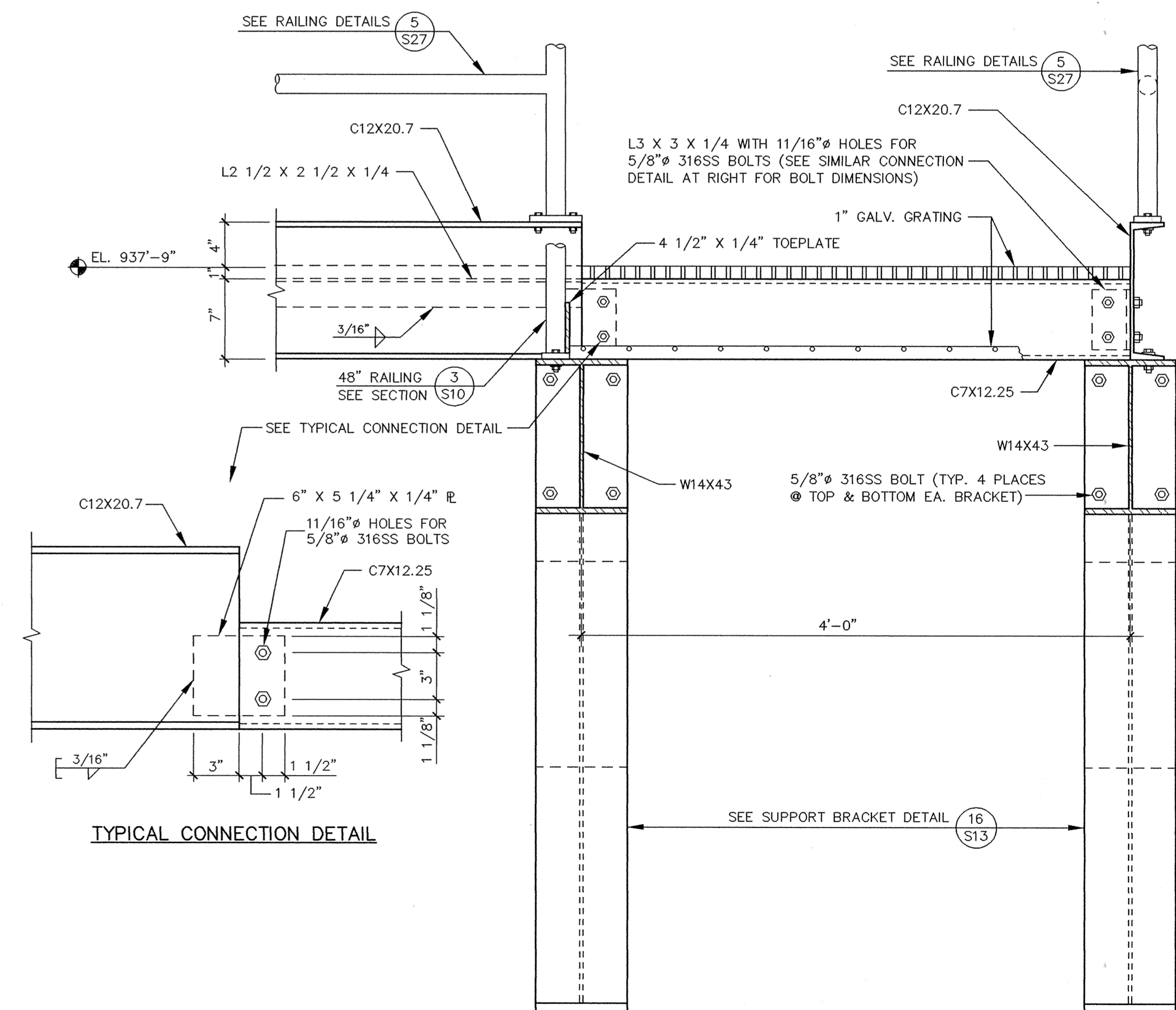
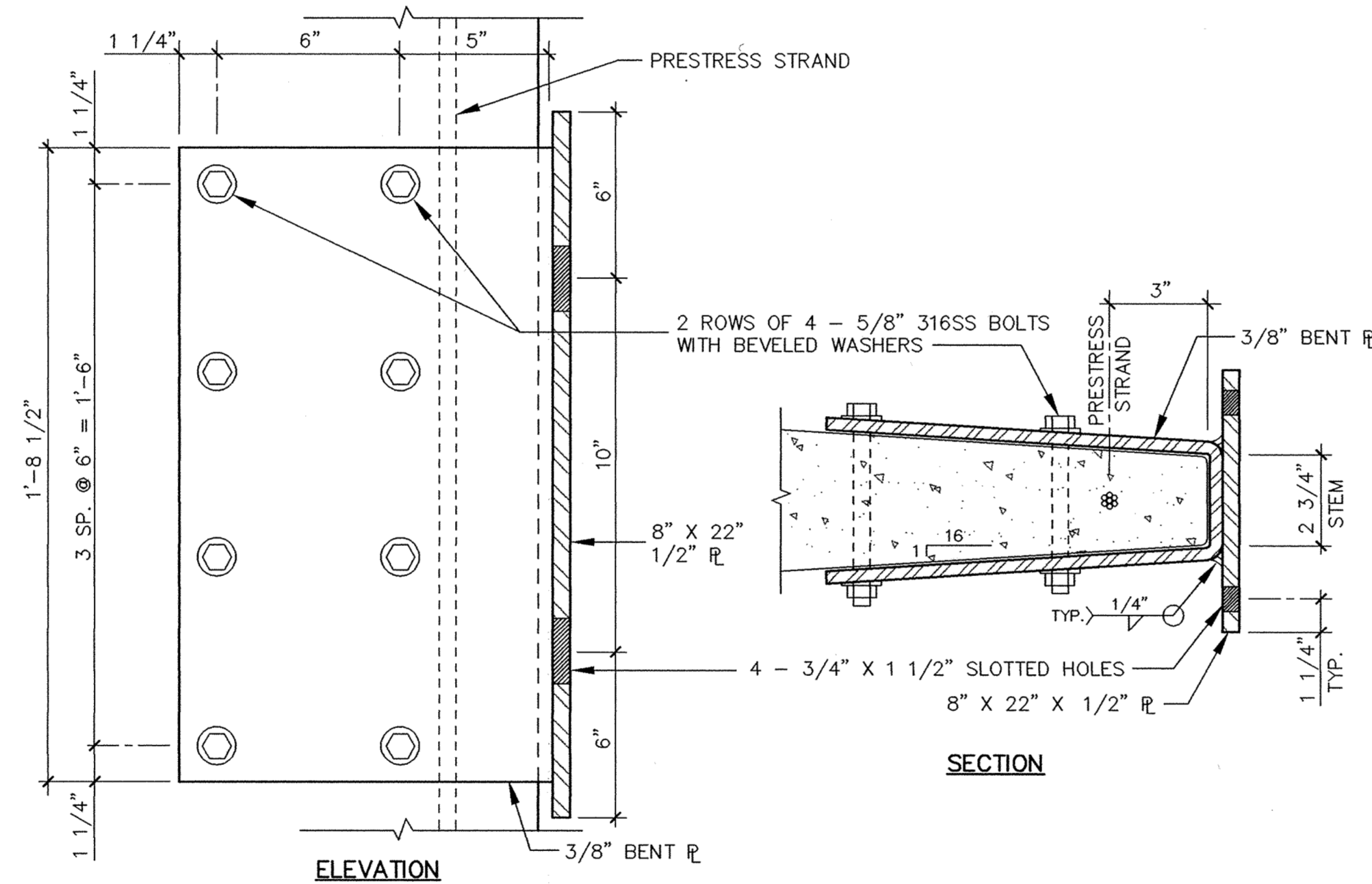
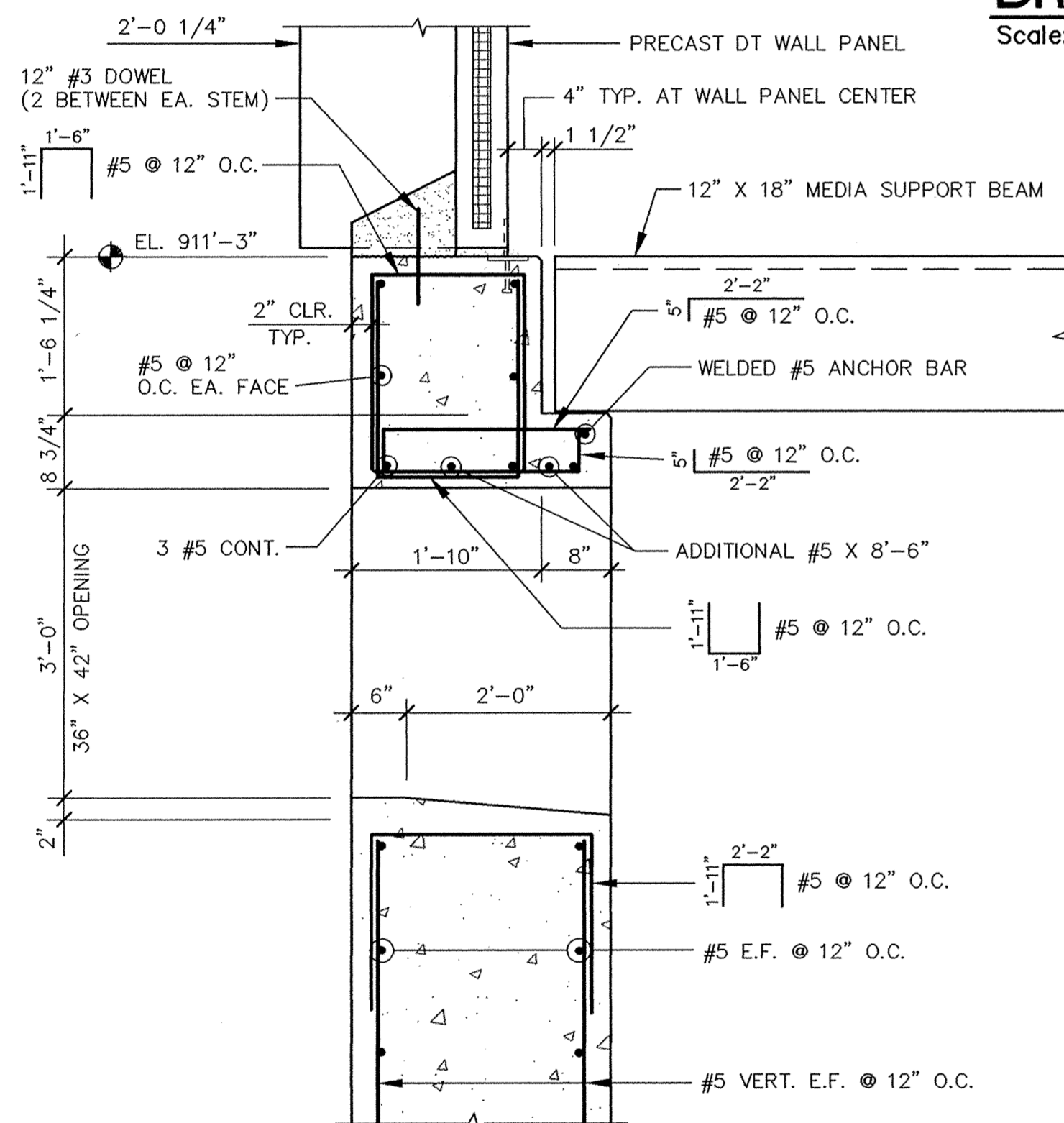


DRAIN CHANNEL CONNECTION DETAIL (12) S13
Scale: 3/4" = 1'-0"

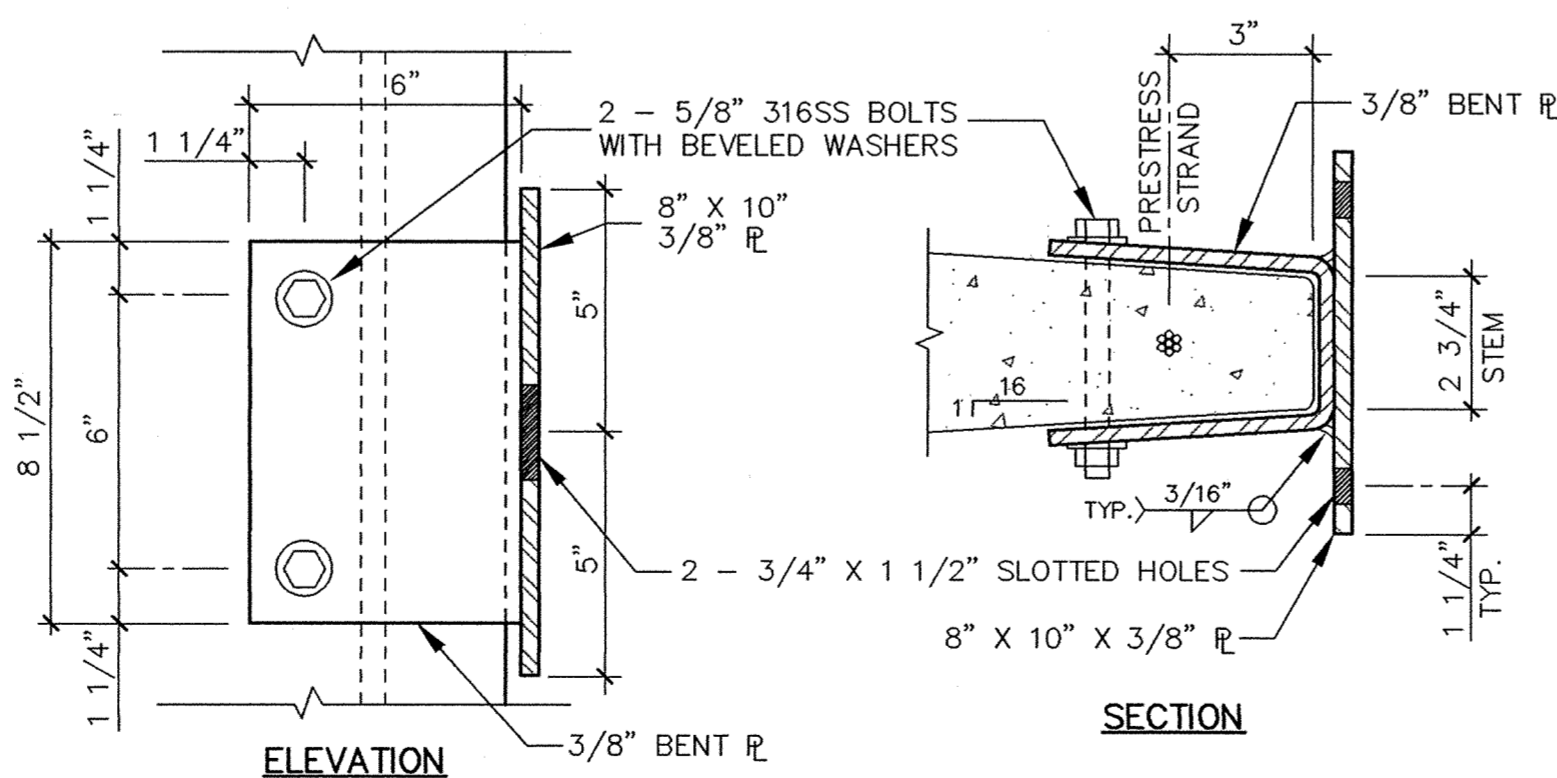
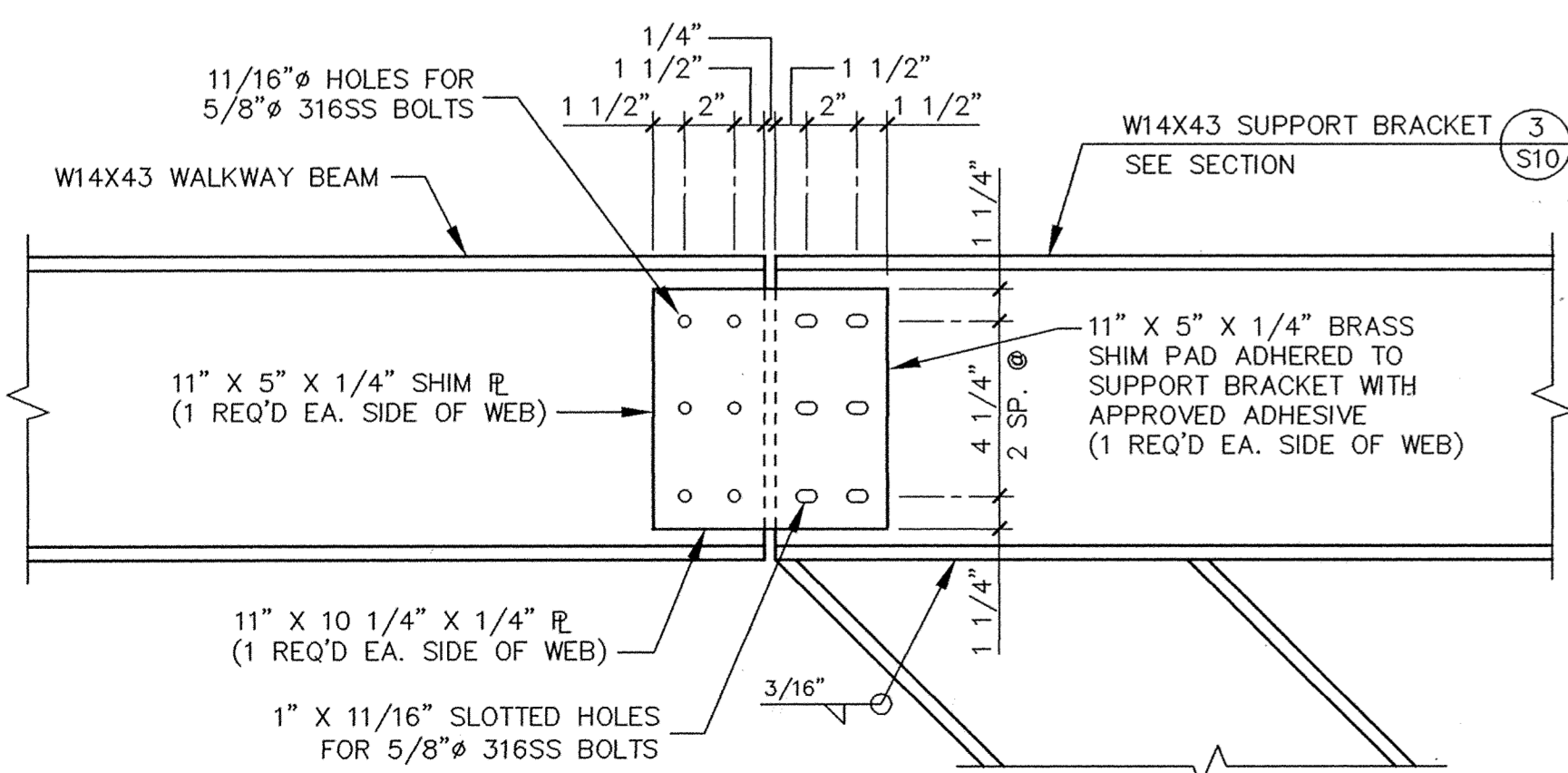
TYP. DRAIN CHANNEL THRU INTERIOR FOUNDATION WALL SECTION (13) S13
Scale: 3/4" = 1'-0"



TYP. EXTERIOR FOUNDATION WALL SECTION AT VENT OPENING (14) S13
Scale: 3/4" = 1'-0"

WALKWAY LANDING SUPPORT BRACKET DETAIL (16) S13
Scale: 3" = 1'-0"

WALKWAY LANDING ELEVATION (18) S13
Scale: 1 1/2" = 1'-0"



STAIR SUPPORT BRACKET DETAIL (17) S13
Scale: 3" = 1'-0"

WALKWAY CONNECTION DETAIL (15) S13
Scale: 1 1/2" = 1'-0"

I HEREBY CERTIFY THAT THIS PLAN, SPECIFICATION, OR REPORT WAS PREPARED BY ME OR UNDER MY DIRECT SUPERVISION AND THAT I AM A DULY REGISTERED PROFESSIONAL ENGINEER UNDER THE LAWS OF THE STATE OF MINNESOTA.
David P. Cudde
 DATE: 11/29/95 REG. NO. 2222



1326 ENERGY PARK DRIVE
 ST. PAUL, MINNESOTA 55108
 (612) 644-4389
 9800 SHELARD PARKWAY
 MINNEAPOLIS, MINNESOTA 55441
 (612) 546-0432

REVISIONS	DATE	DESCRIPTION

DESIGNED	DLC	GG
CHECKED	LJL	GG
DRAWN	GG	GG
GRAPHIC SCALE		
HORIZ.	1.33	
VERT.	1.33	

CITY OF ELK RIVER
 WASTEWATER TREATMENT FACILITY UPGRADE
 TRICKLING FILTER
 DETAILS

S13