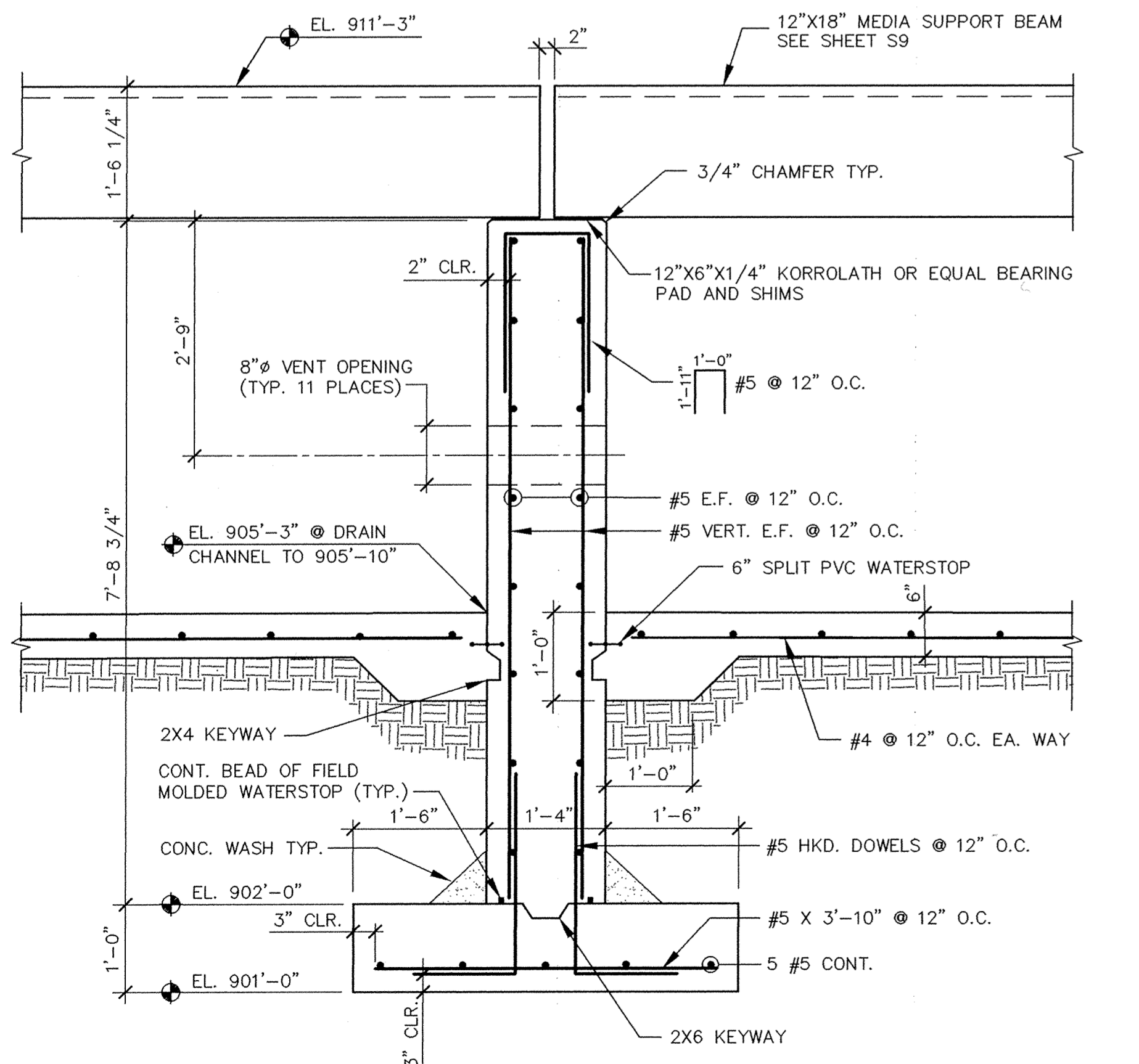
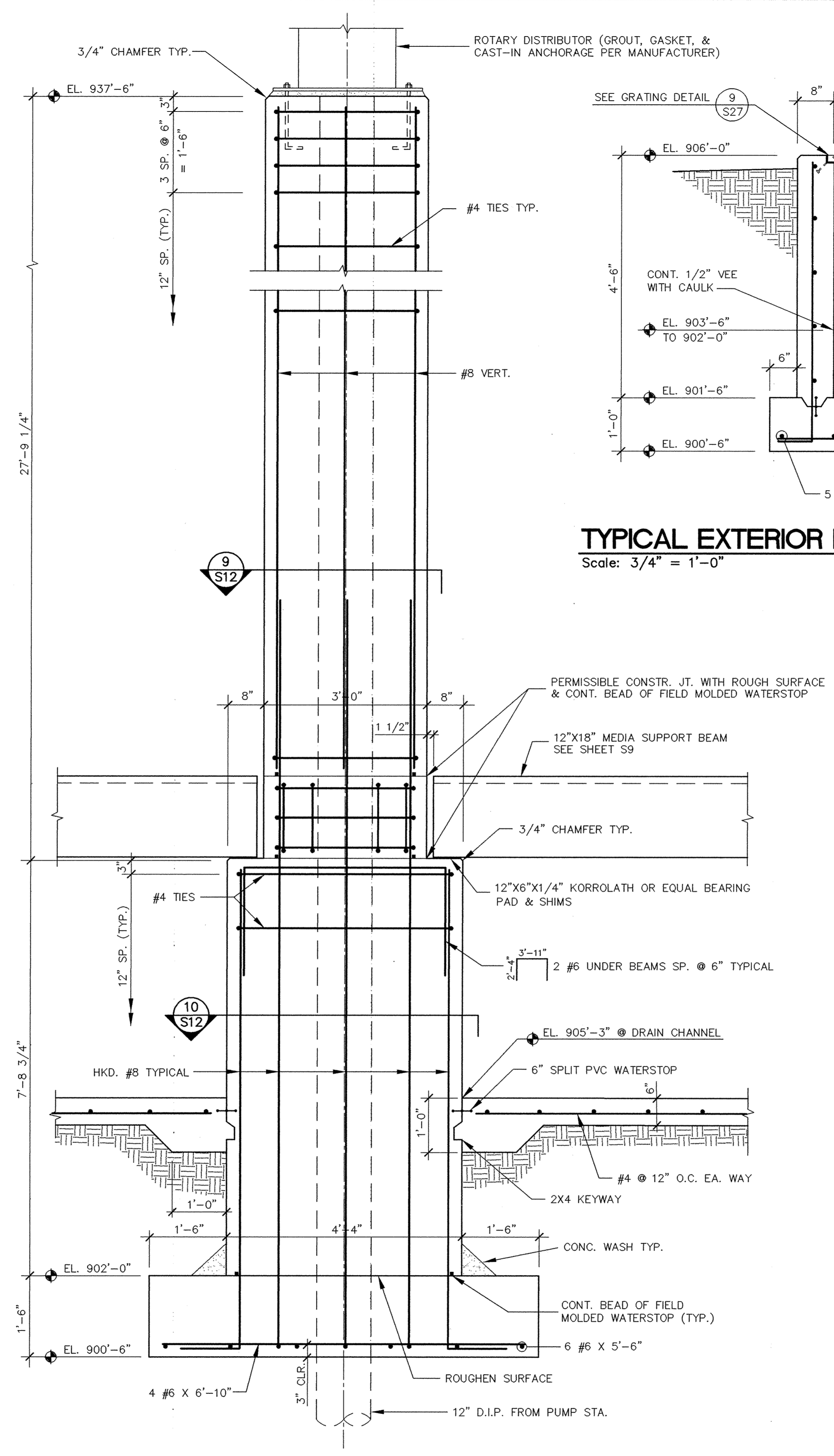


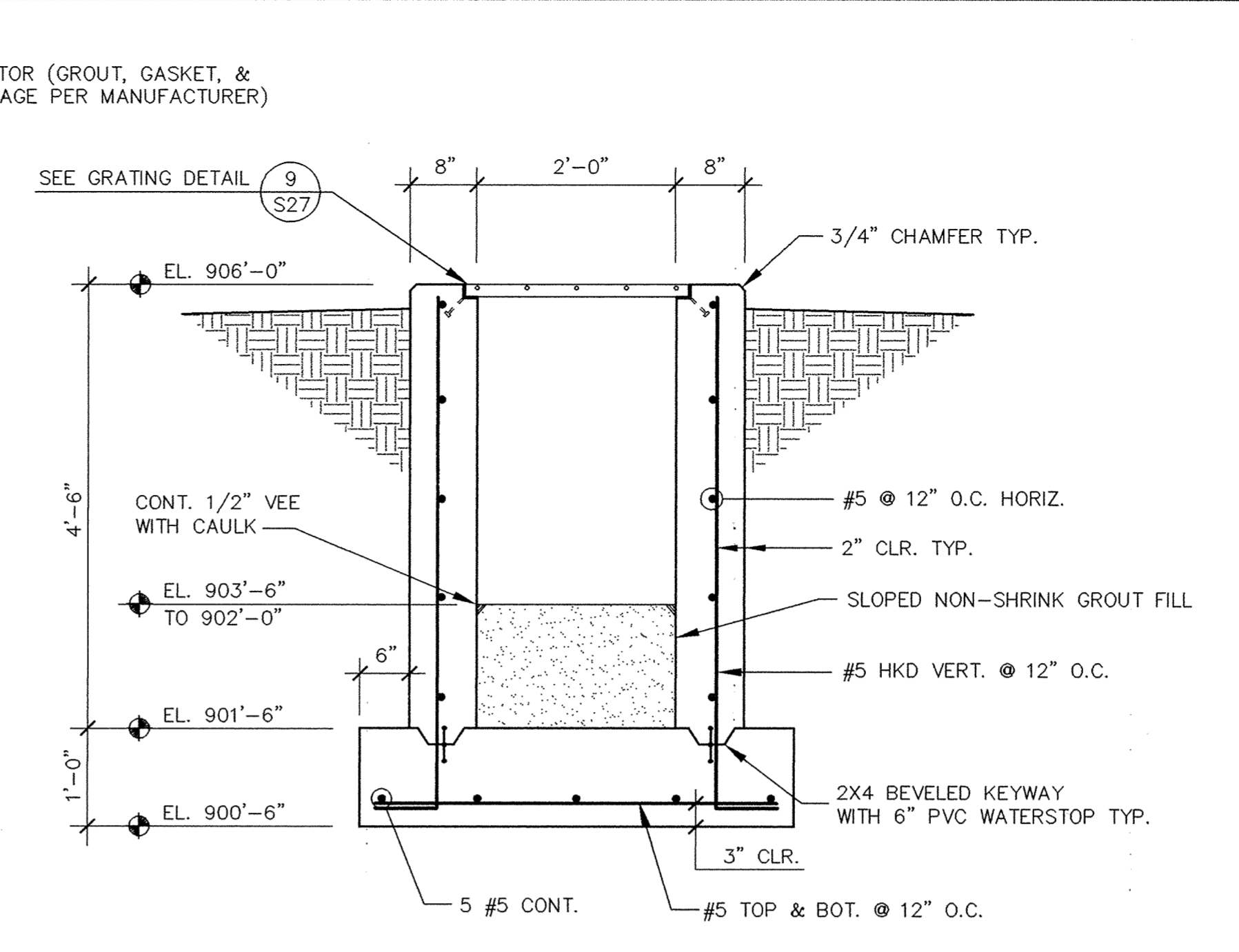
TYPICAL EXTERIOR FOUNDATION WALL SECTION 5
Scale: 3/4" = 1'-0" S12



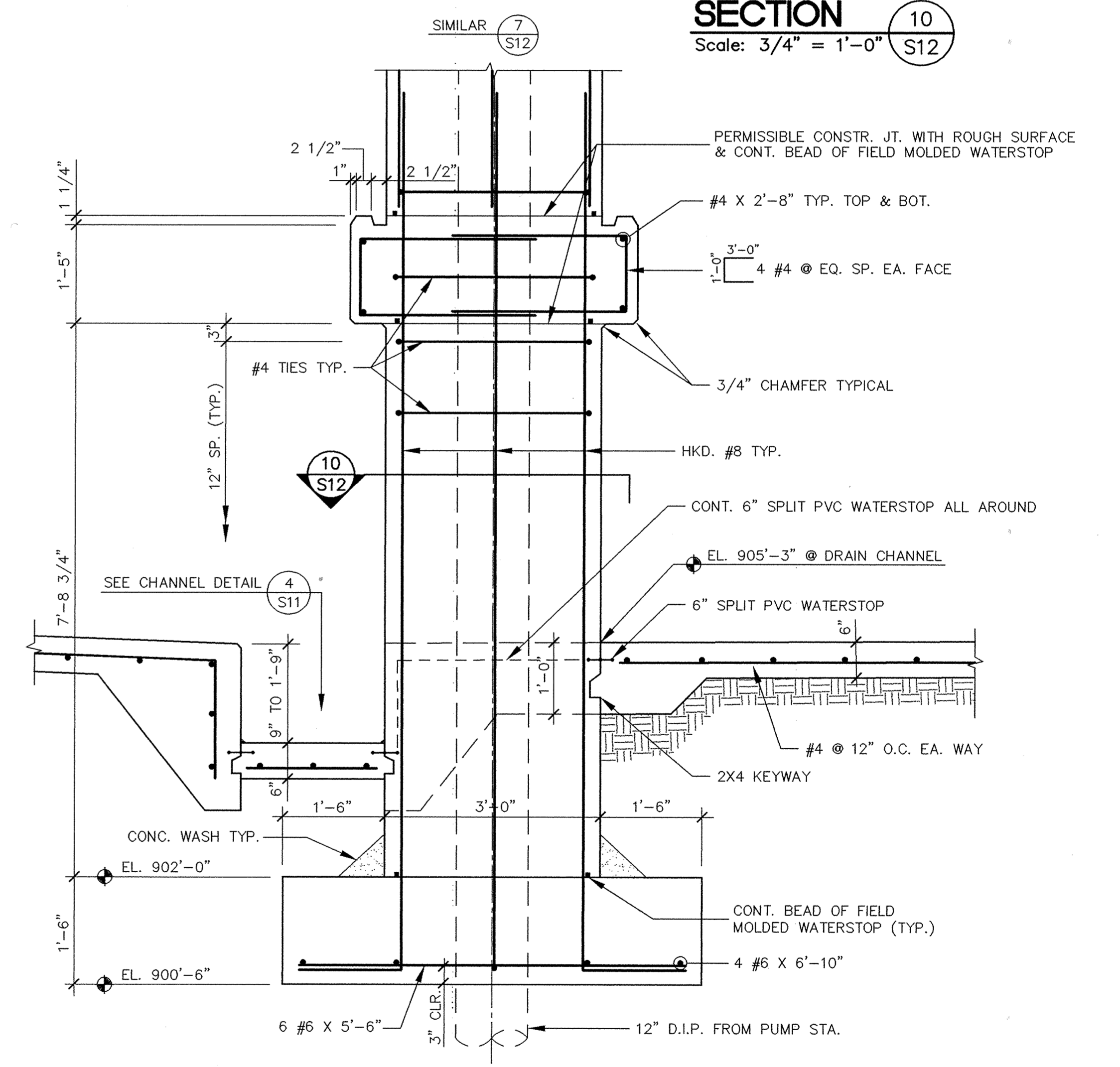
TYPICAL INTERIOR FOUNDATION WALL SECTION 6
Scale: 3/4" = 1'-0" S12



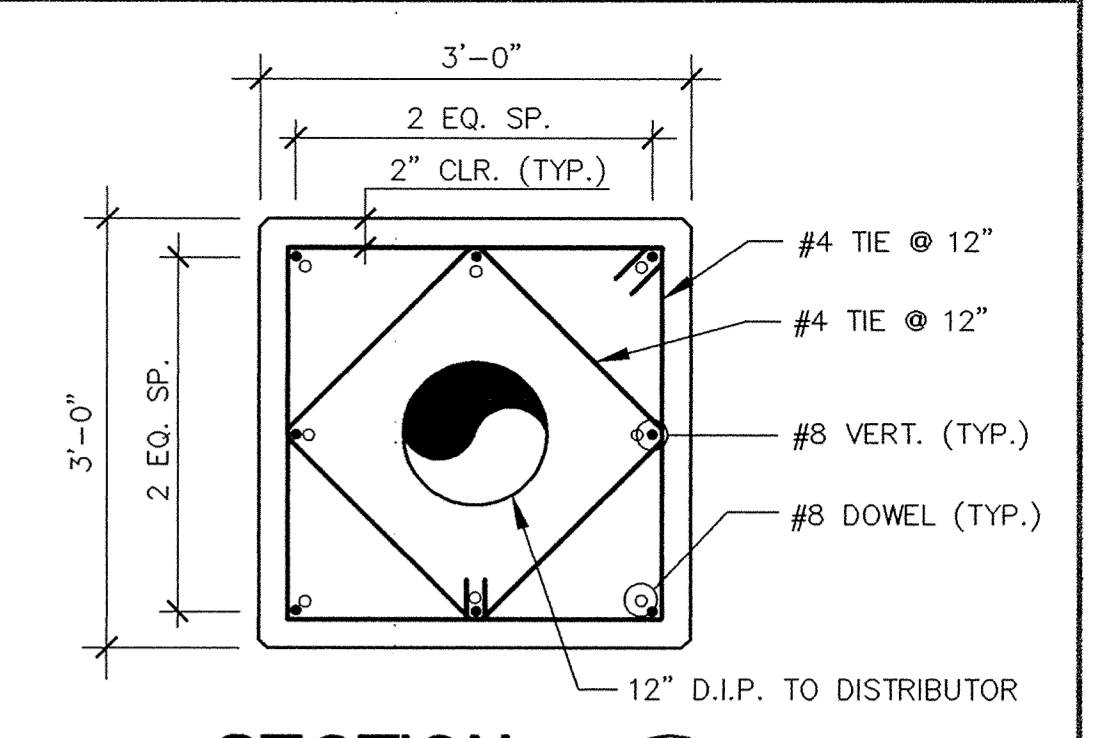
CENTER COLUMN SECTION 7
Scale: 3/4" = 1'-0" S12



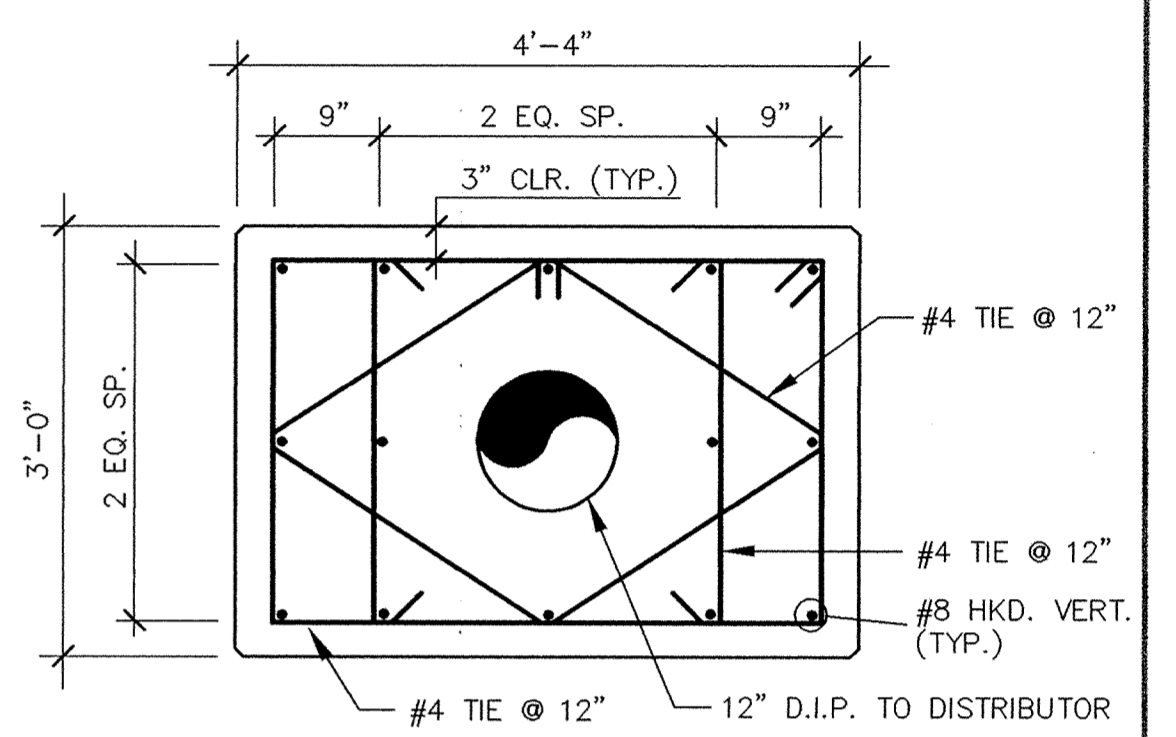
TYPICAL EXTERIOR DRAIN CHANNEL SECTION 11
Scale: 3/4" = 1'-0" S12



CENTER COLUMN SECTION 8
Scale: 3/4" = 1'-0" S12



SECTION 9
Scale: 3/4" = 1'-0" S12



SECTION 10
Scale: 3/4" = 1'-0" S12

I HEREBY CERTIFY THAT THIS PLAN, SPECIFICATION, OR REPORT WAS PREPARED BY ME OR UNDER MY DIRECT SUPERVISION AND THAT I AM A DULY REGISTERED PROFESSIONAL ENGINEER UNDER THE LAWS OF THE STATE OF MINNESOTA.
Donald L. Campbell
DATE 11/29/95 REG. NO. 22222



1326 ENERGY PARK DRIVE
ST. PAUL, MINNESOTA 55108
(612) 644-4389
9800 SHELDAR PARKWAY
MINNEAPOLIS, MINNESOTA 55441
(612) 546-0432

DATE	DESCRIPTION	DESIGNED DLG GG
		CHECKED LUL
		DRAWN GG
		GRAPHIC SCALE
		0 HORIZ. 1.33
		0 VERT. 1.33

CITY OF ELK RIVER
WASTEWATER TREATMENT FACILITY UPGRADE
TRICKLING FILTER SECTIONS
DATE OCT. 1995 SHEET 32 OF 112 SHEETS PROJECT NO. 230-151

S12