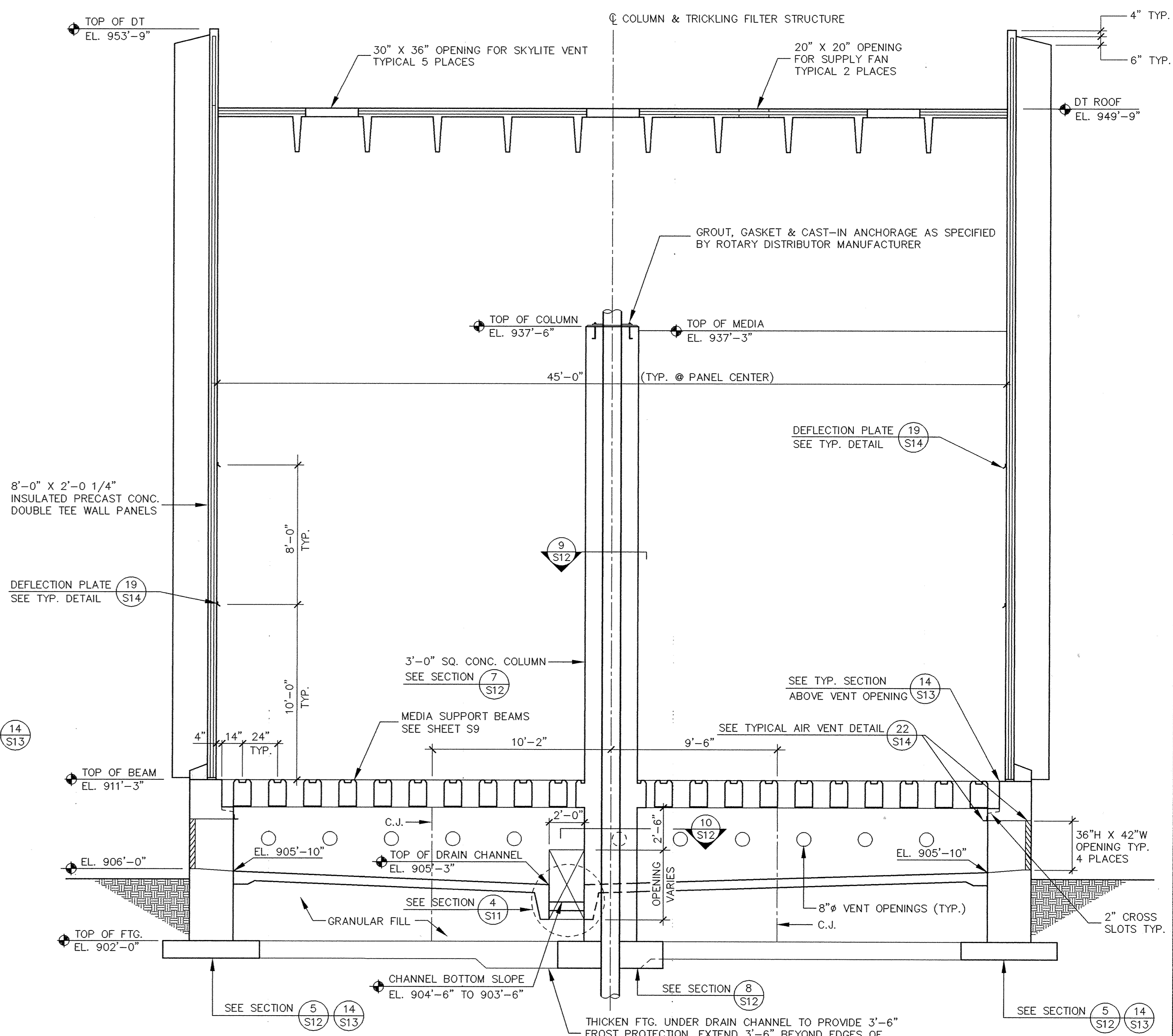
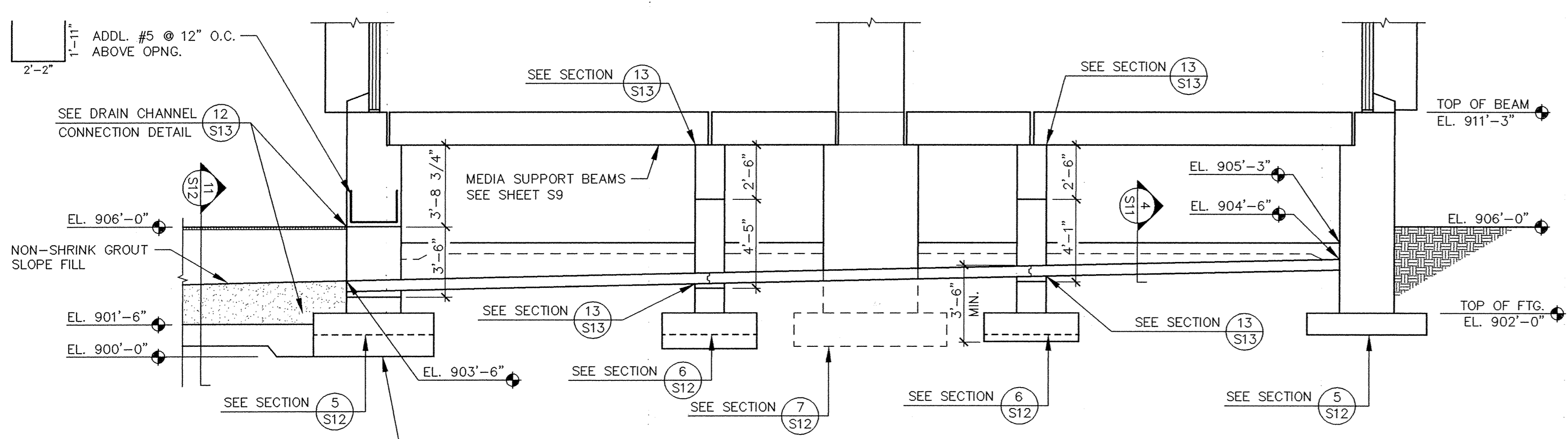


TRICKLING FILTER SECTION 1
Scale: 1/4" = 1'-0"
S11

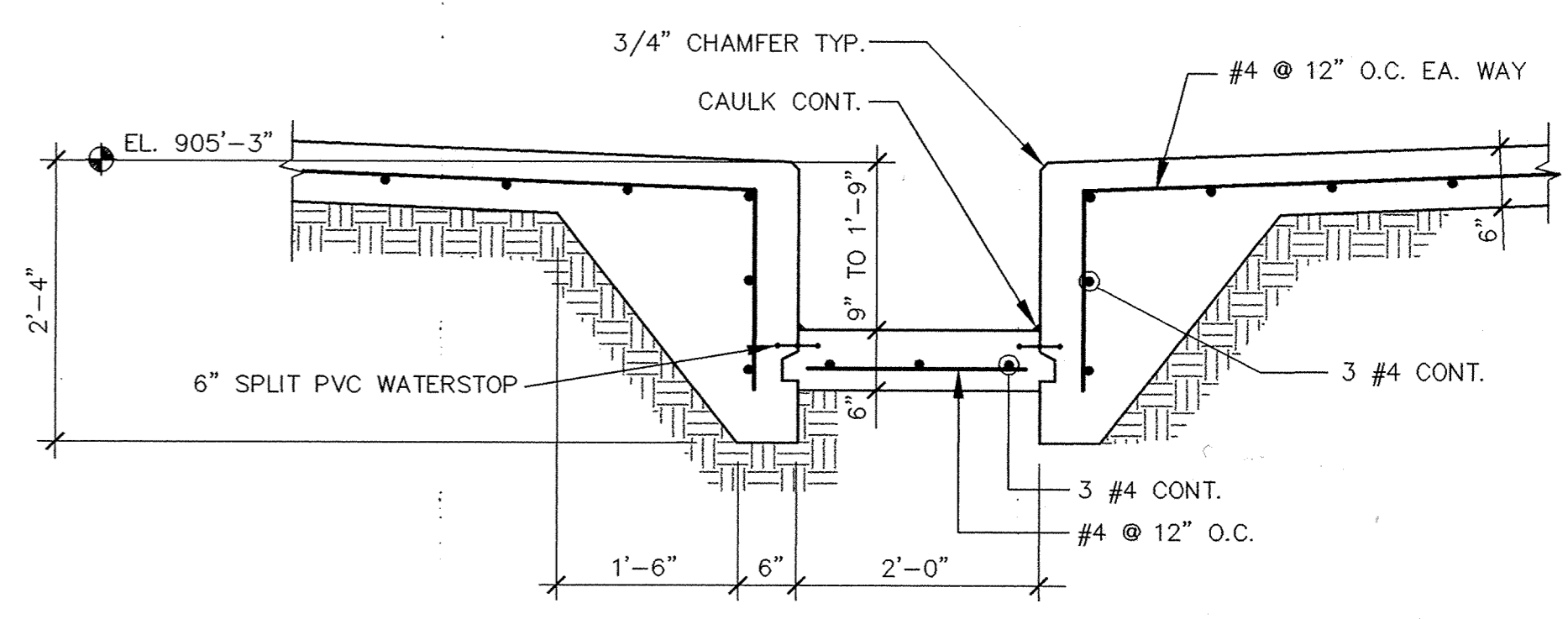


TRICKLING FILTER SECTION 2
Scale: 1/4" = 1'-0"
S11



LONGITUDINAL SECTION THRU DRAIN TRENCH 3
Scale: 1/4" = 1'-0"
S11

- NOTES**
- ALL WALL DT SHEAR CONNECTIONS SHALL BE DESIGNED AND PROVIDED BY PRECASTER. ALL CONNECTIONS AND EMBEDDED PLATES SHALL BE 316SS.
 - WALL DT LATERAL LOAD CASES:
 CASE #1 LATERAL OUTWARD PRESSURE WITH THREE INTERIOR REMOVABLE DT ROOF PANELS.
 CASE #2 LATERAL OUTWARD PRESSURE WITHOUT THREE INTERIOR REMOVABLE DT ROOF PANELS.
 CASE #3 LATERAL INWARD PRESSURE WITH THREE INTERIOR REMOVABLE DT ROOF PANELS.
 CASE #4 LATERAL INWARD PRESSURE WITHOUT THREE INTERIOR REMOVABLE DT ROOF PANELS.
 - FOR ADDITIONAL DESIGN INFORMATION SEE SPECIFICATIONS.



TYPICAL INTERIOR DRAIN CHANNEL SECTION 4
Scale: 3/4" = 1'-0"
S11

I HEREBY CERTIFY THAT THIS PLAN, SPECIFICATION, OR REPORT WAS PREPARED BY ME OR UNDER MY DIRECT SUPERVISION AND THAT I AM A DULY REGISTERED PROFESSIONAL ENGINEER UNDER THE LAWS OF THE STATE OF MINNESOTA.
David J. Condit
 DATE: 11/29/95 REG. NO. 22222



1326 ENERGY PARK DRIVE
 ST. PAUL, MINNESOTA 55108
 (612) 644-4389
 9800 SHELARD PARKWAY
 MINNEAPOLIS, MINNESOTA 55441
 (612) 546-0432

REVISIONS	DATE	DESCRIPTION	DESIGNED DLG/GG	CHECKED LJJ	DRAWN GG

CITY OF ELK RIVER
 WASTEWATER TREATMENT FACILITY UPGRADE
 TRICKLING FILTER SECTIONS
 DATE OCT. 1995 SHEET 31 OF 112 SHEETS PROJECT NO. 230-151

S11