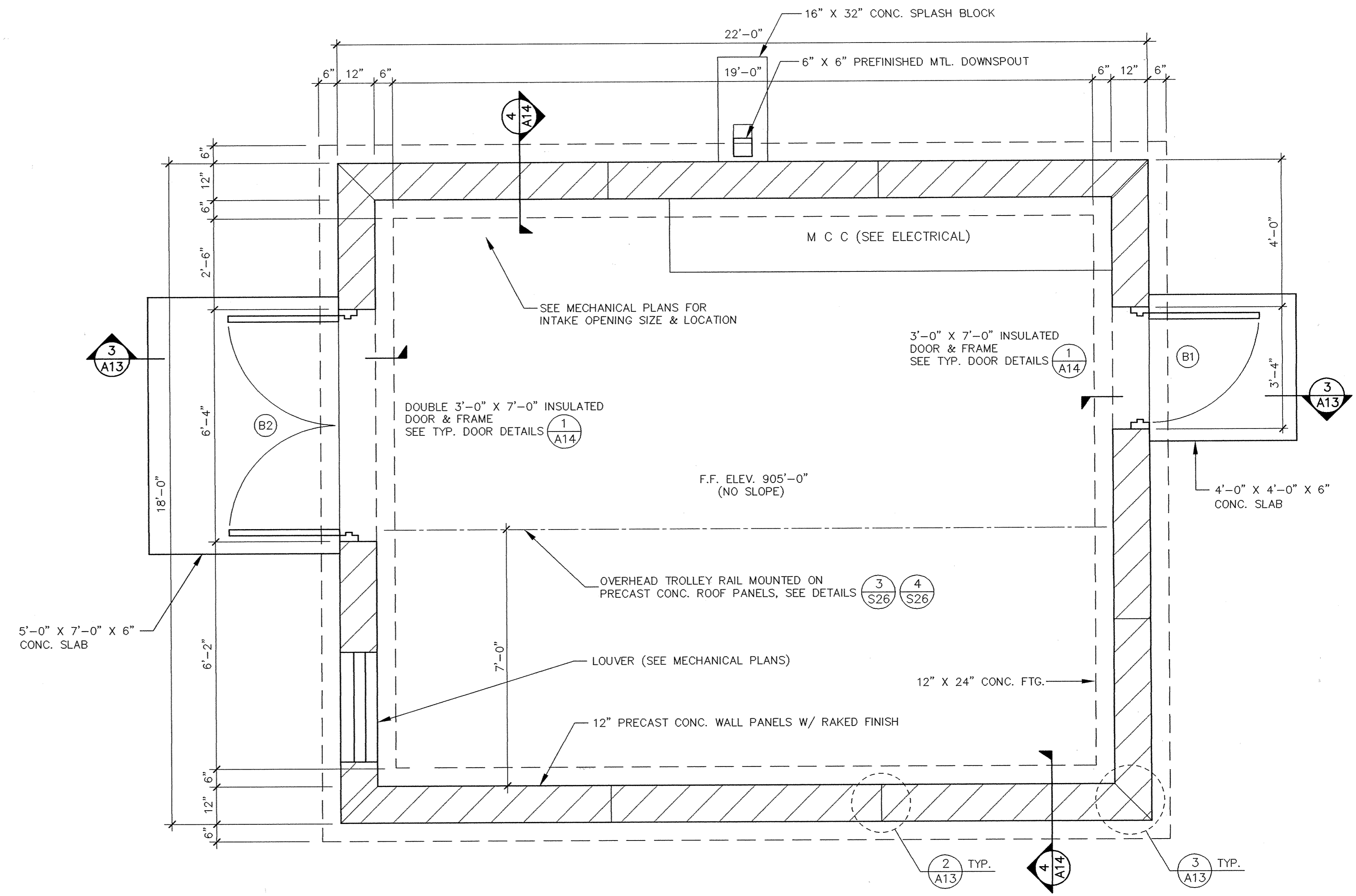


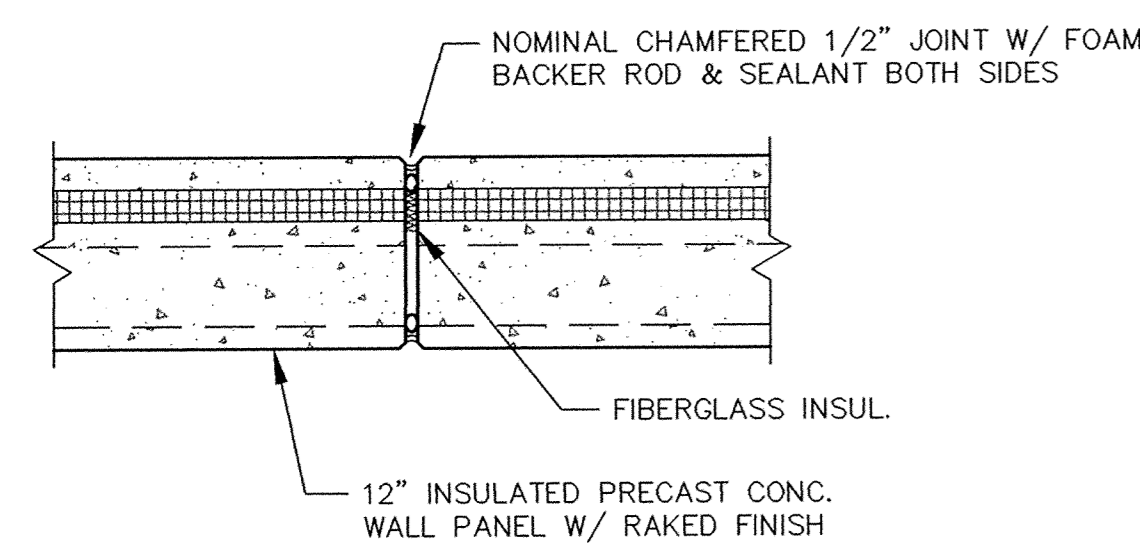
BLOWER BUILDING ROOF PLAN

Scale: 1/2" = 1'-0"



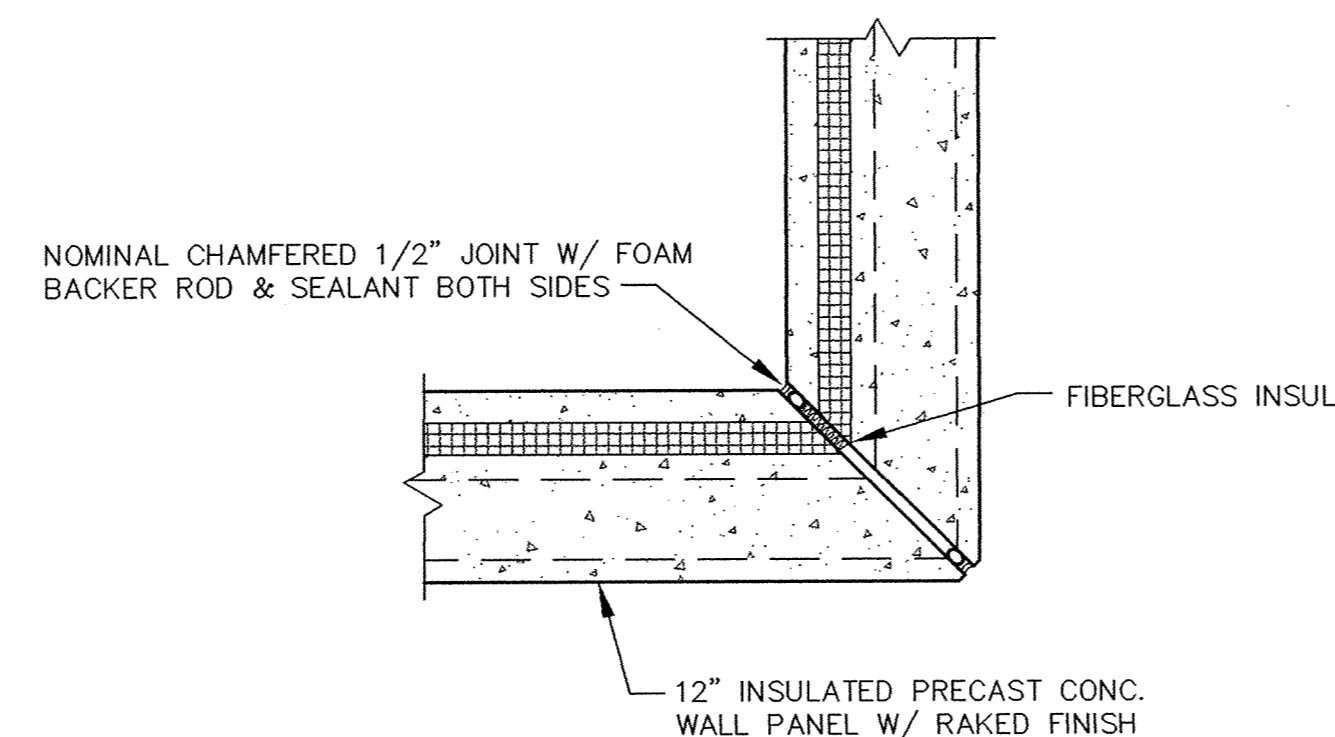
BLOWER BUILDING FLOOR PLAN

Scale: 1/2" = 1'-0"



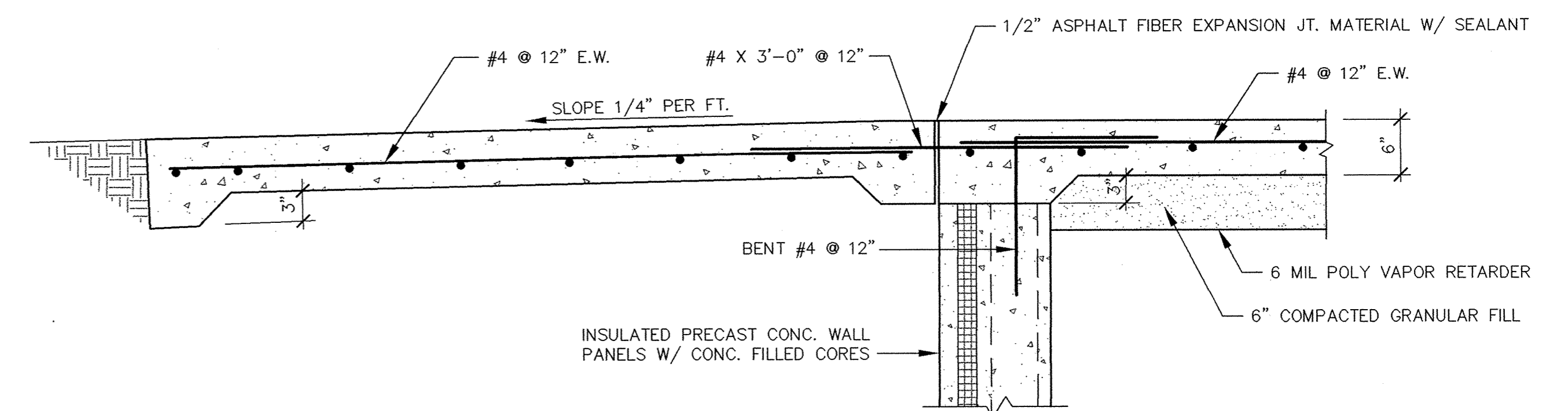
TYP. PRECAST WALL JOINT

Scale: 1" = 1'-0"



TYP. PRECAST WALL CORNER

Scale: 1" = 1'-0"



TYP. APRON SECTION

Scale: 1" = 1'-0"

I HEREBY CERTIFY THAT THIS PLAN, SPECIFICATION, OR REPORT WAS PREPARED BY ME OR UNDER MY DIRECT SUPERVISION AND THAT I AM A DULY REGISTERED PROFESSIONAL ENGINEER UNDER THE LAWS OF THE STATE OF MINNESOTA.
David L. Cahill
 DATE 11/8/95 REG. NO. 22222



1326 ENERGY PARK DRIVE
 ST. PAUL, MINNESOTA 55108
 (612) 644-4389
 9800 SHELARD PARKWAY
 MINNEAPOLIS, MINNESOTA 55441
 (612) 546-0432

REVISIONS	DATE	DESCRIPTION

DESIGNED DLG GG
 CHECKED TAR
 DRAWN GG
 GRAPHIC SCALE
 0 HORIZ. 2.00
 0 VERT. 2.00

CITY OF ELK RIVER
 WASTEWATER TREATMENT FACILITY UPGRADE
 BLOWER BUILDING
 FLOOR PLAN, ROOF PLAN & WALL SECTION
 DATE OCT. 1995 SHEET 19 OF 112 SHEETS PROJECT NO. 230-151

A13