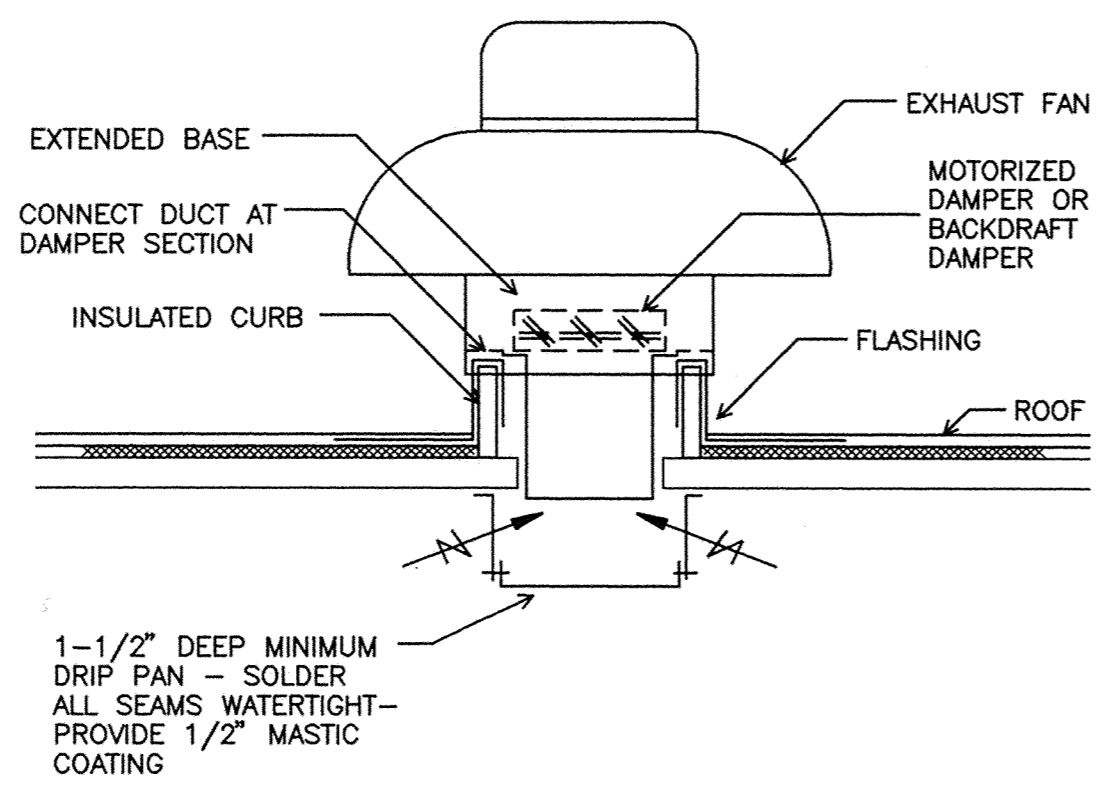
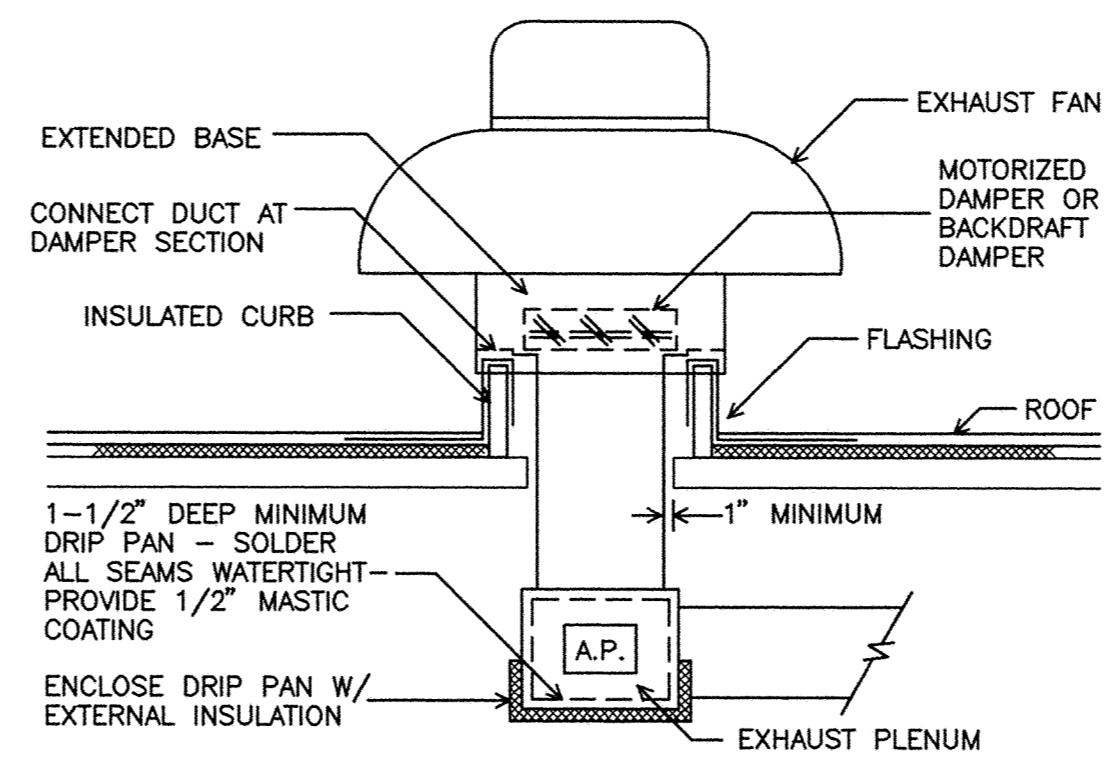


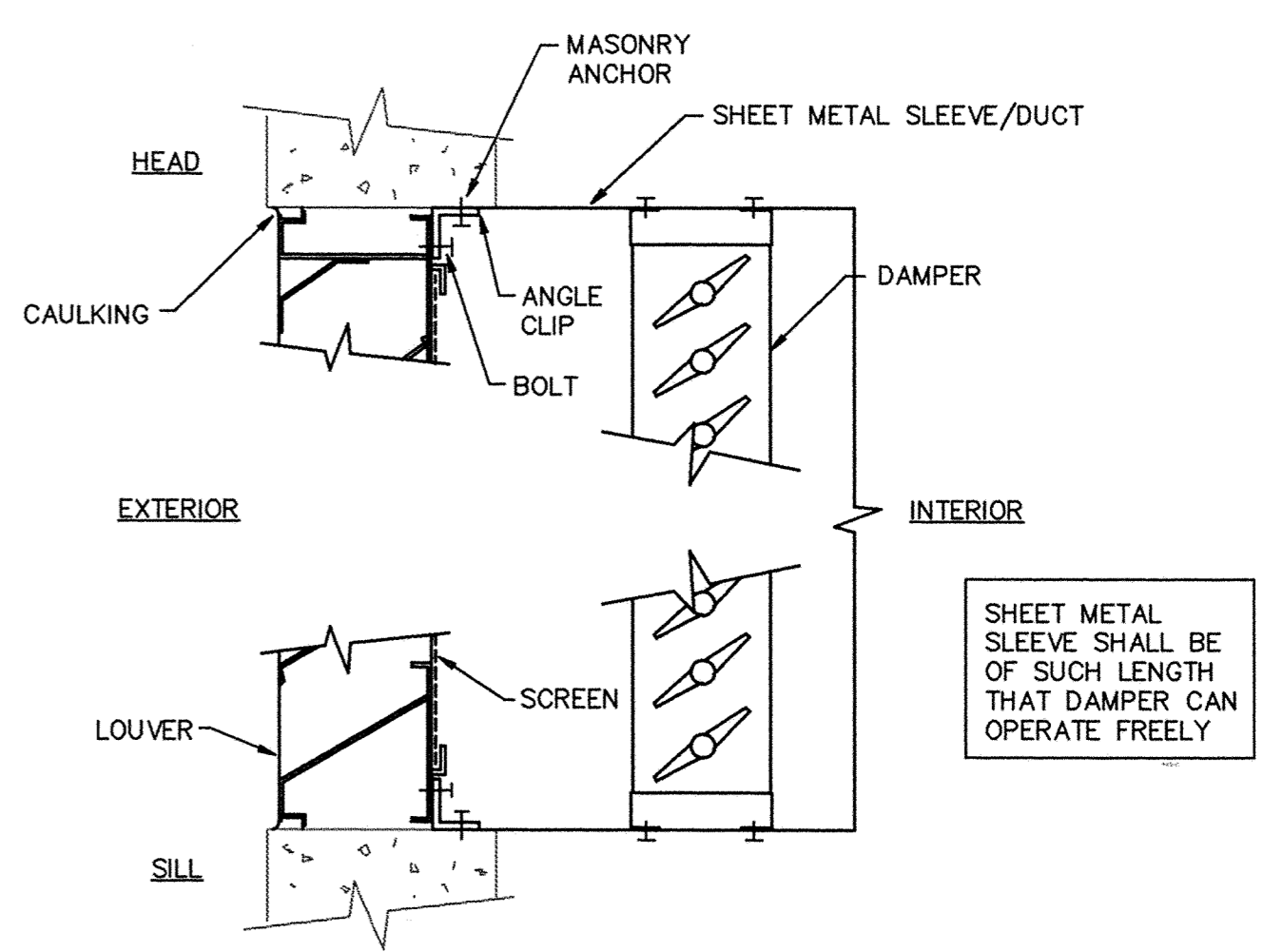
1 **ROOF PENETRATIONS**
M10 NO SCALE



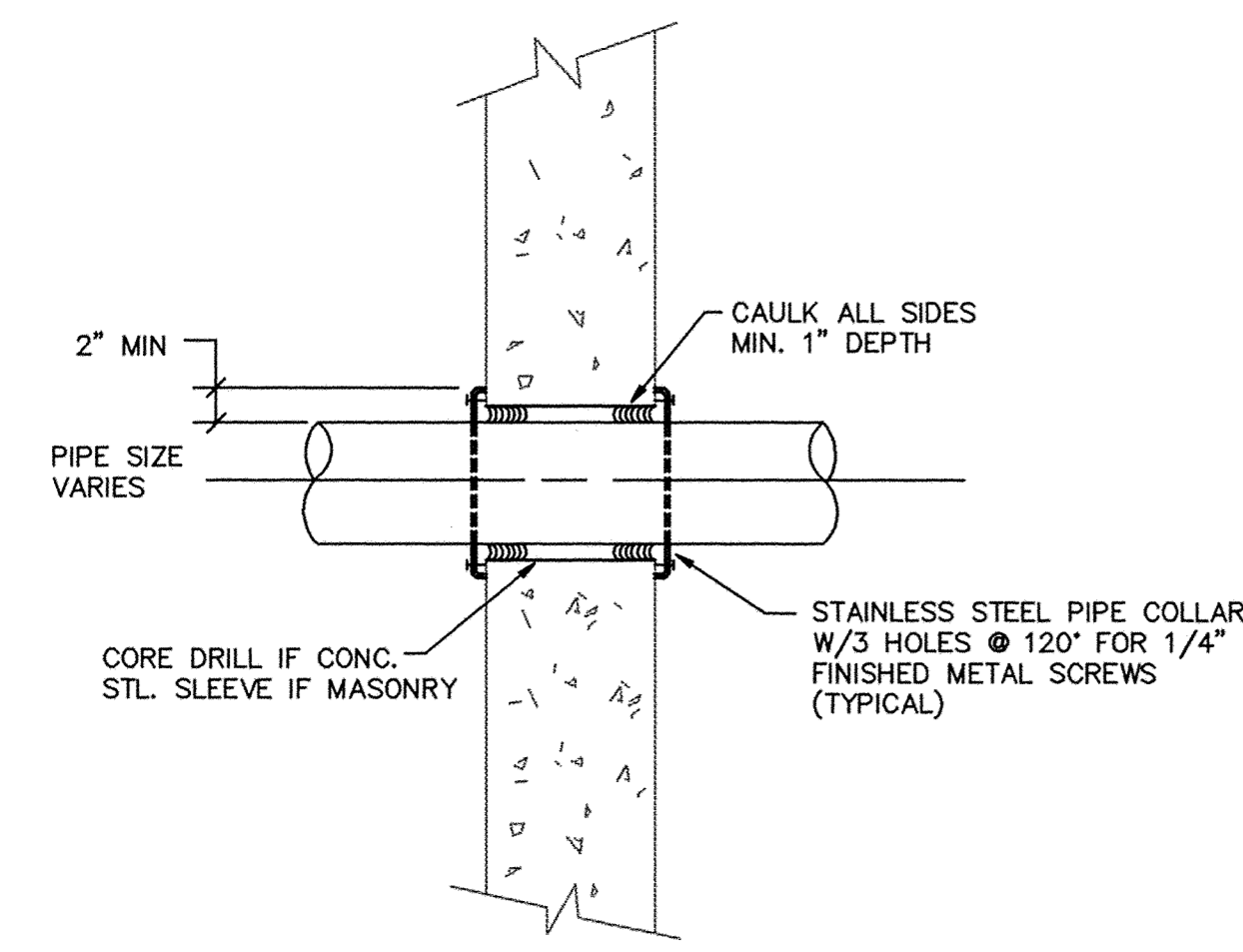
2 **ROOF MOUNTED EXHAUST FAN DETAIL (OPEN ENDED)**
M10 NO SCALE



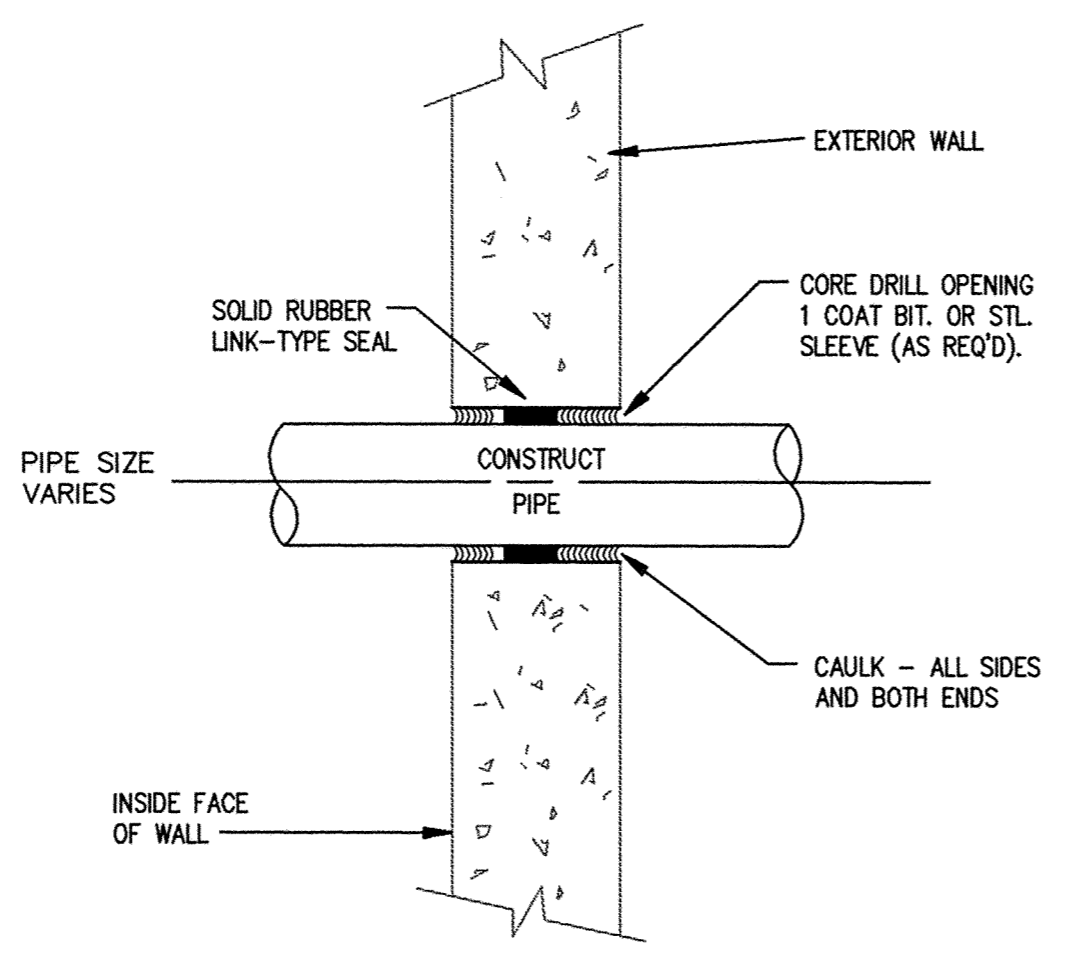
3 **ROOF MOUNTED EXHAUST FAN DETAIL (DUCTED)**
M10 NO SCALE



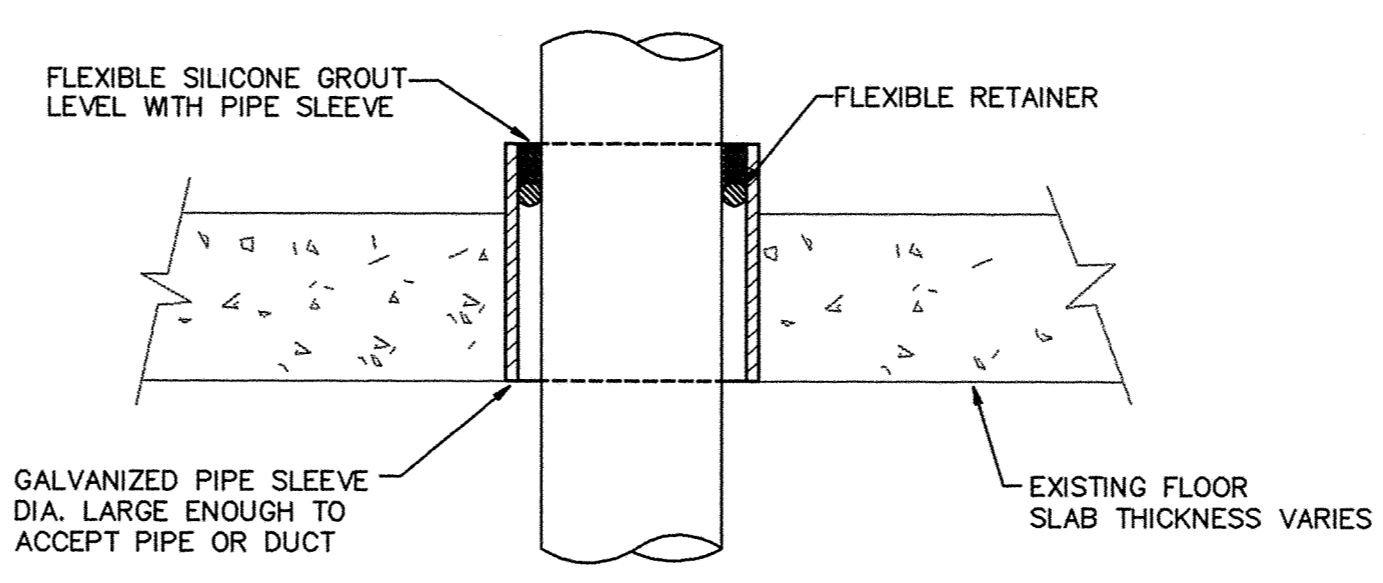
4 **LOUVER INSTALLATION DETAIL**
M10 NO SCALE



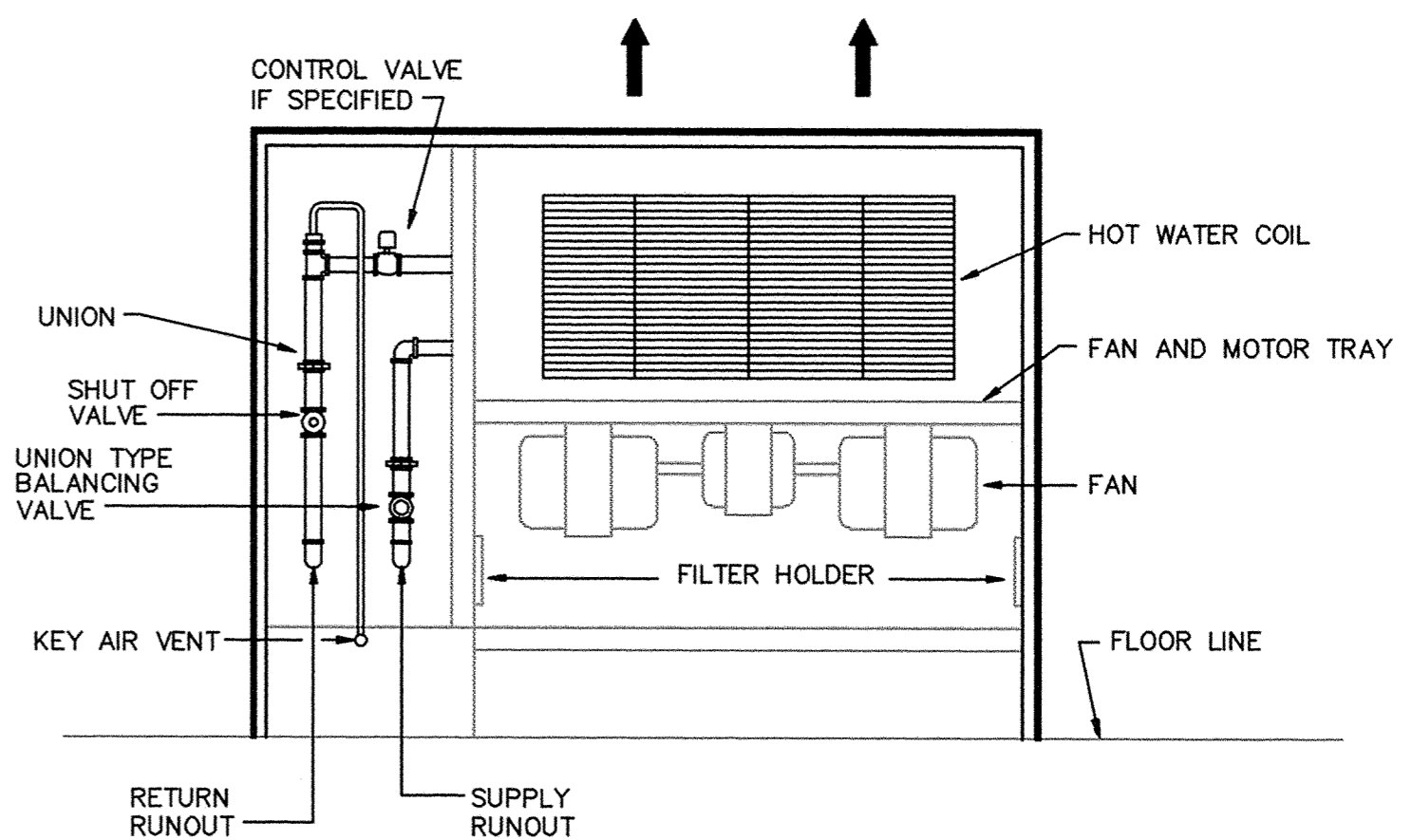
5 **TYPICAL PIPE PENETRATION SLEEVE DETAIL**
M10 NO SCALE



6 **TYPICAL PIPE PENETRATION THRU EXTERIOR WALL**
M10 NO SCALE

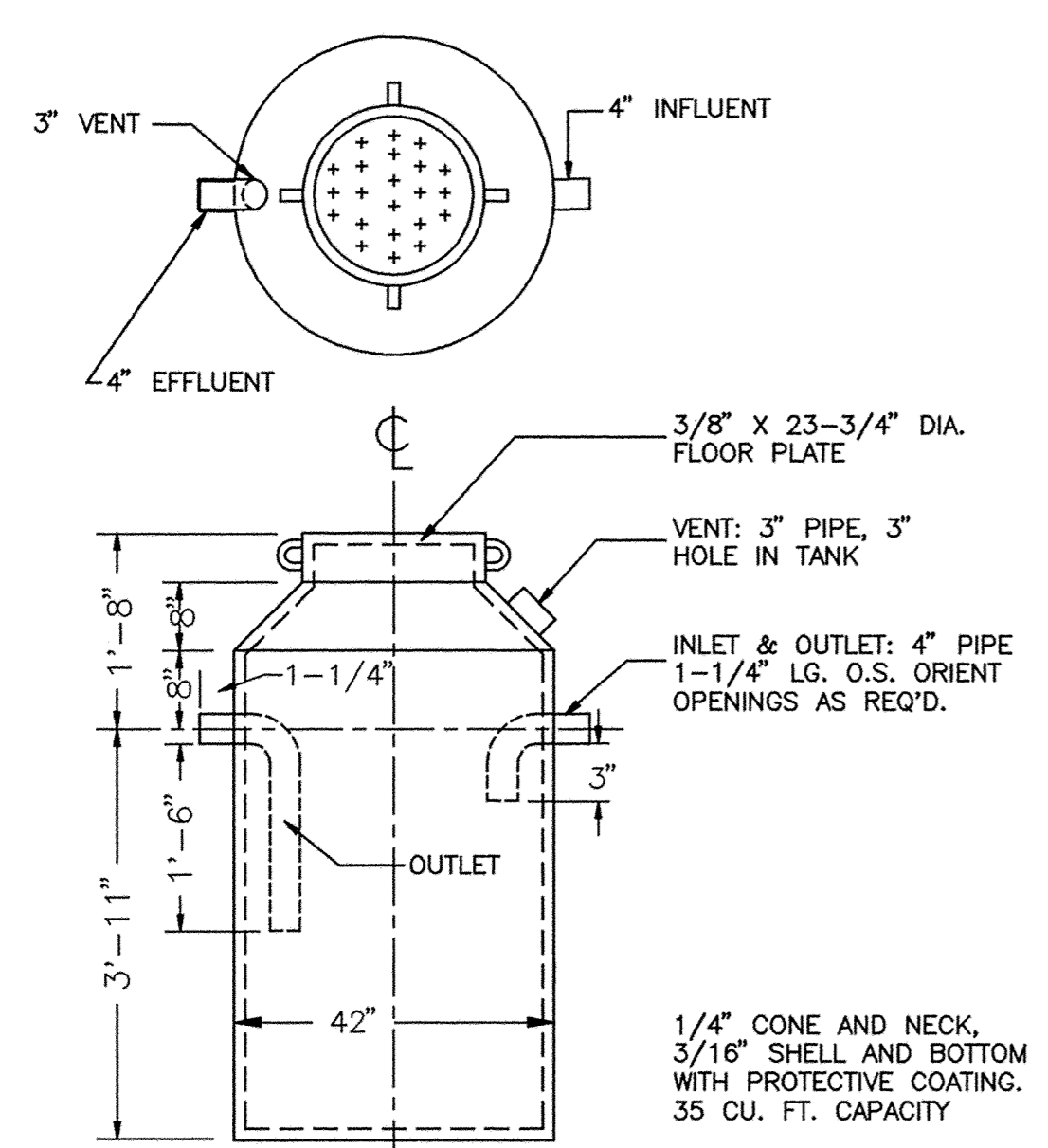


7 **TYPICAL FLOOR SLEEVE DETAIL**
M10 NO SCALE

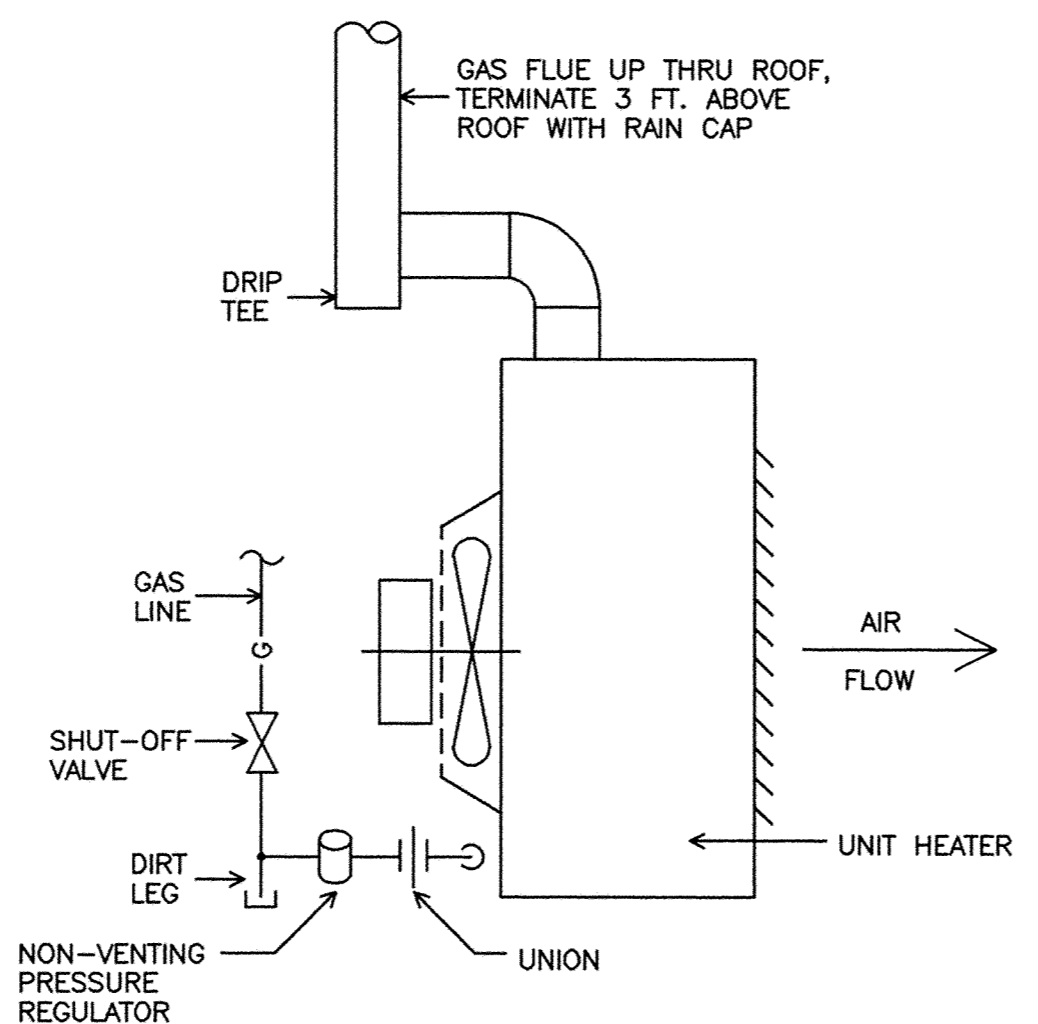


8 **CABINET UNIT HEATER HOT WATER PIPING DETAIL**
M10 NO SCALE

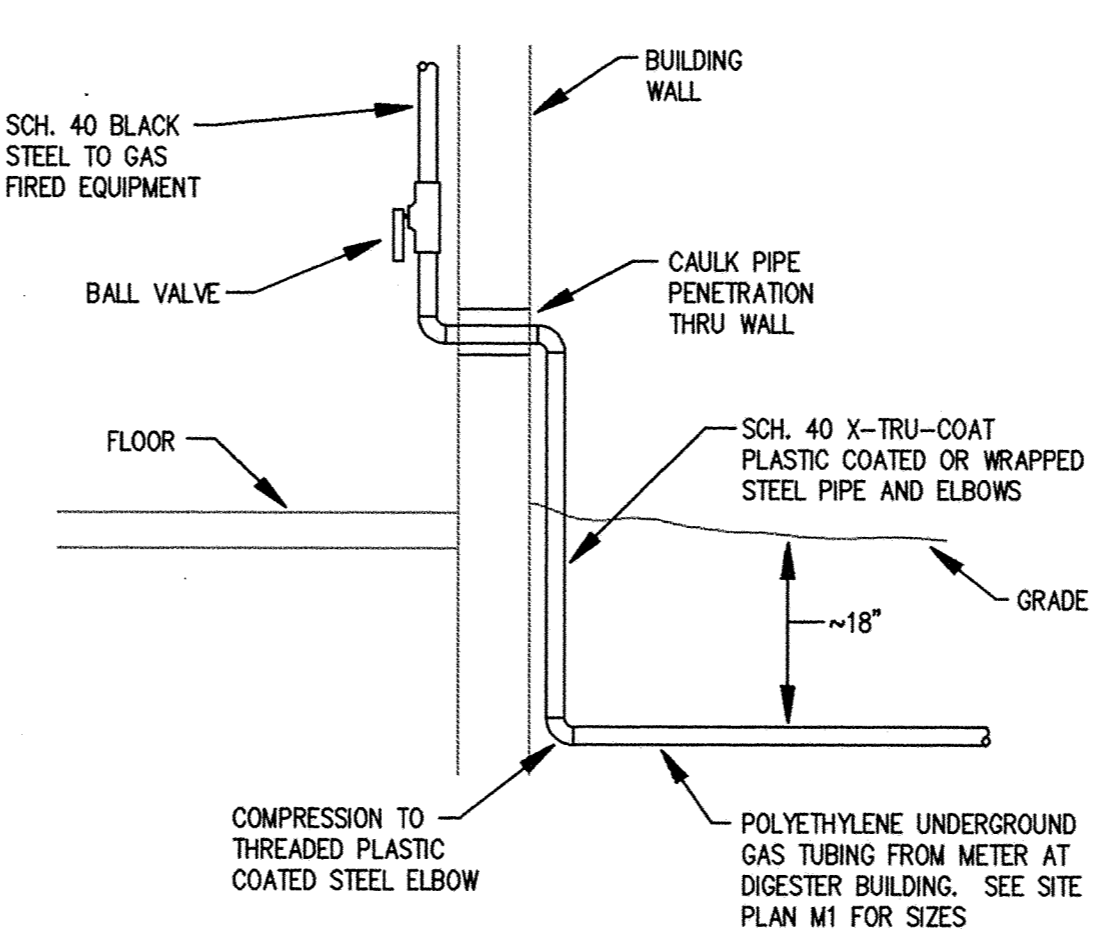
NOTE: FANS AND MOTOR SHALL BE REMOVABLE MOTOR CONNECTION SHALL BE BY CORD AND PLUG FOR EASE OF REMOVAL.



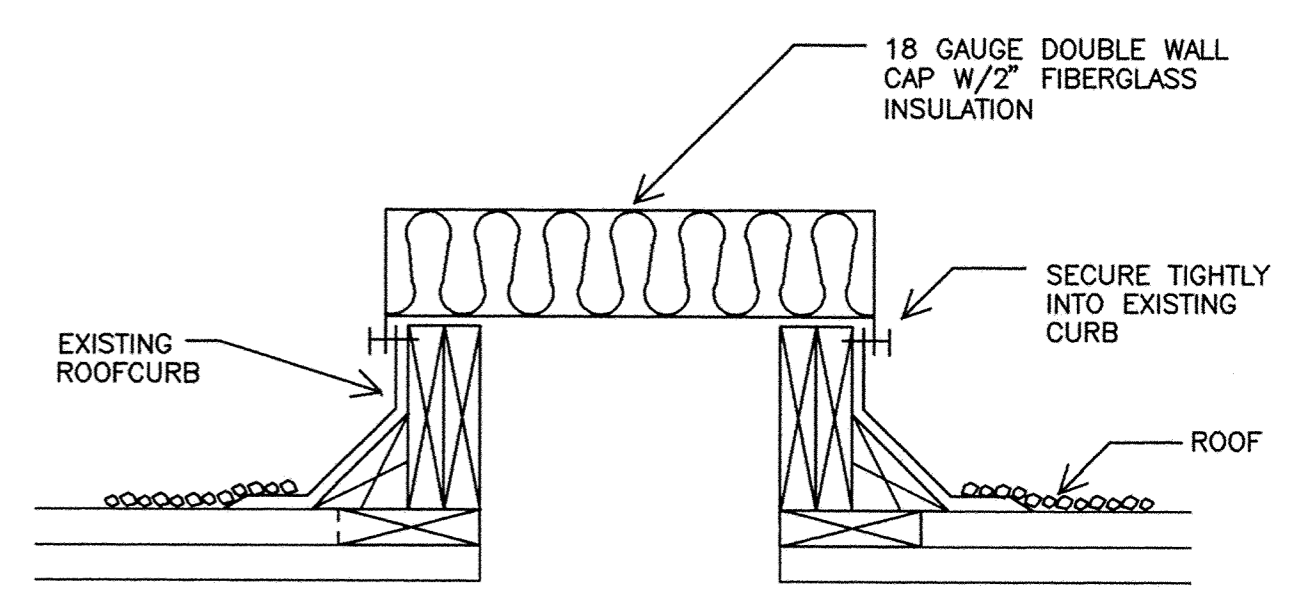
9 **FLAMMABLE WASTE TRAP**
M10 NO SCALE



10 **UNIT HEATER DETAIL**
M10 NO SCALE



11 **GAS PIPING AT BLDG. ENTRANCE**
M10 NO SCALE



12 **ROOF OPENING CAP DETAIL**
M10 NO SCALE

This drawing was prepared by:
Wentz Associates, Inc.
7300 France Avenue South
Suite 330
Minneapolis, MN 55435
Telephone: (612) 831-1180
Fax: (612) 831-2179

I HEREBY CERTIFY THAT THIS PLAN, SPECIFICATION, OR REPORT WAS PREPARED BY ME OR UNDER MY DIRECT SUPERVISION AND THAT I AM A DULY REGISTERED PROFESSIONAL ENGINEER UNDER THE LAWS OF THE STATE OF MINNESOTA.
Thomas A. Wood
DATE 09 OCT 95 REG. NO. 18609



1326 ENERGY PARK DRIVE
ST. PAUL, MINNESOTA 55108
(612) 644-4389

9800 SHELARD PARKWAY
MINNEAPOLIS, MINNESOTA 55441
(612) 546-0432

DATE	DESCRIPTION	DESIGNED	TAW
		CHECKED	TAW
		DRAWN	SRS
REVISIONS		GRAPHIC SCALE	
		0	HORIZ.
		0	VERT.

CITY OF ELK RIVER		M10
WASTEWATER TREATMENT FACILITIES		
MECHANICAL DETAILS		
DATE OCT 1995	SHEET M10 OF M11 SHEETS	PROJECT NO. 230-151