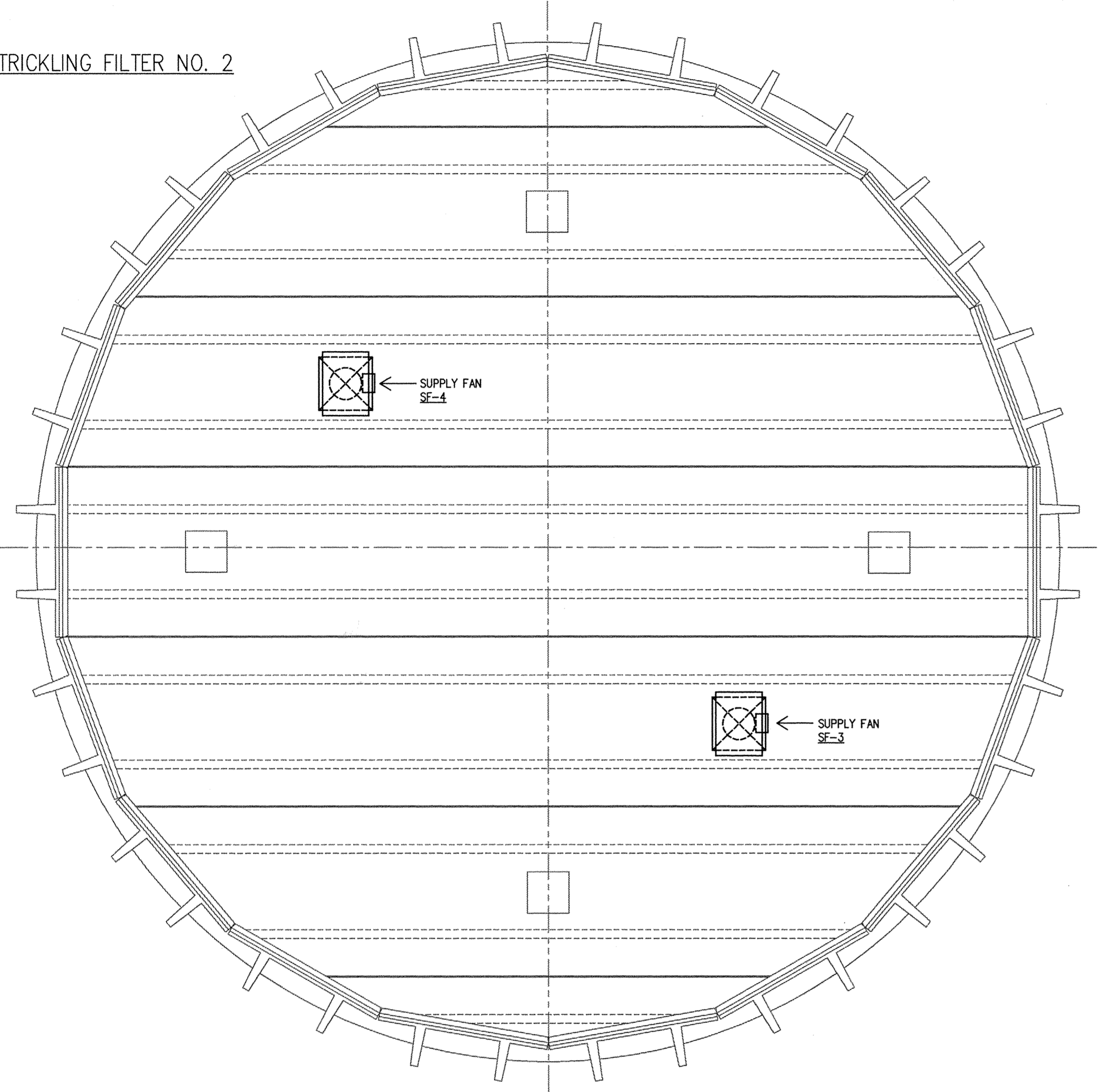
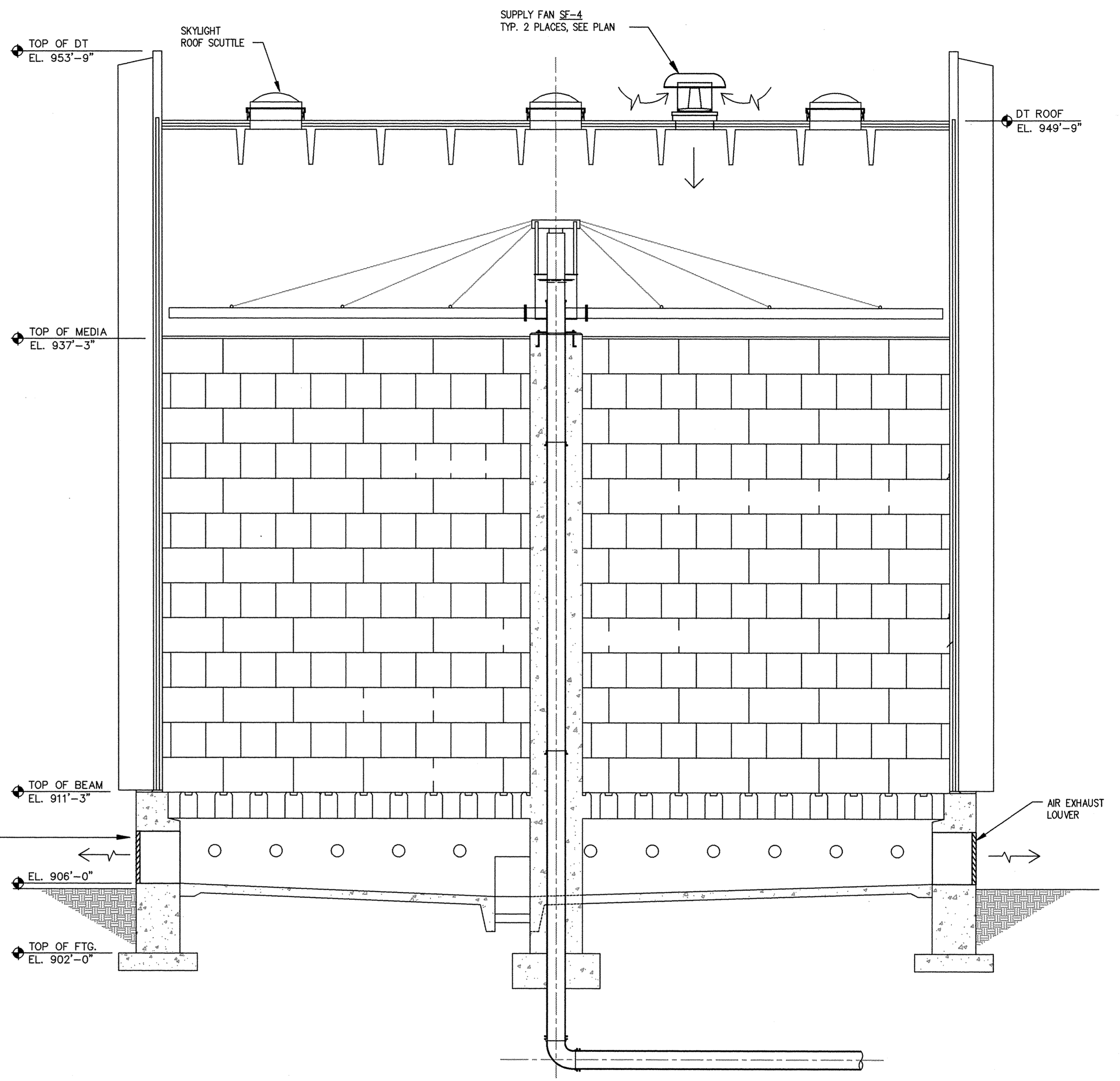
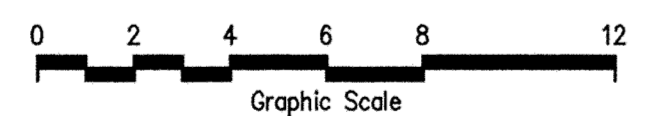


TRICKLING FILTER NO. 2

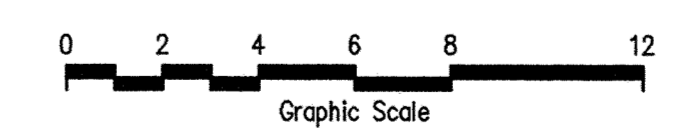


1
M2 TRICKLING FILTER VENTILATION PLAN
SCALE: 1/4" = 1'-0"



36" H. X 42" W.
ADJUSTABLE EXHAUST
AIR LOUVER WL-8 THRU WL-11.
TYPICAL OF 4 LOCATIONS.
SEE PROCESS &
STRUCTURAL DETAILS.

2
M2 TRICKLING FILTER SECTION
SCALE: 1/4" = 1'-0"



This drawing was prepared by:
Wentz Associates, Inc.
7300 France Avenue South
Suite 330
Minneapolis, MN 55435
Telephone: (612) 831-1180
Fax: (612) 831-2179

I HEREBY CERTIFY THAT THIS PLAN, SPECIFICATION,
OR REPORT WAS PREPARED BY ME OR UNDER MY DIRECT
SUPERVISION AND THAT I AM A DULY REGISTERED
PROFESSIONAL ENGINEER UNDER THE LAWS OF THE
STATE OF MINNESOTA.
Thomas A. Wentz
DATE 09 OCT 95 REG. NO. 18609



1326 ENERGY PARK DRIVE
ST. PAUL, MINNESOTA 55108
(612) 644-4389
9800 SHELARD PARKWAY
MINNEAPOLIS, MINNESOTA 55441
(612) 546-0432

DATE	DESCRIPTION	DESIGNED	TAW
		CHECKED	TAW
		DRAWN	SRS
		GRAPHIC SCALE	
		0	HORIZ. 4
		0	VERT. 4

CITY OF ELK RIVER		M2
WASTEWATER TREATMENT FACILITIES		
TRICKLING FILTER VENTILATION PLAN		
DATE OCT 1995	SHEET M2 OF M11 SHEETS	PROJECT NO. 230-151