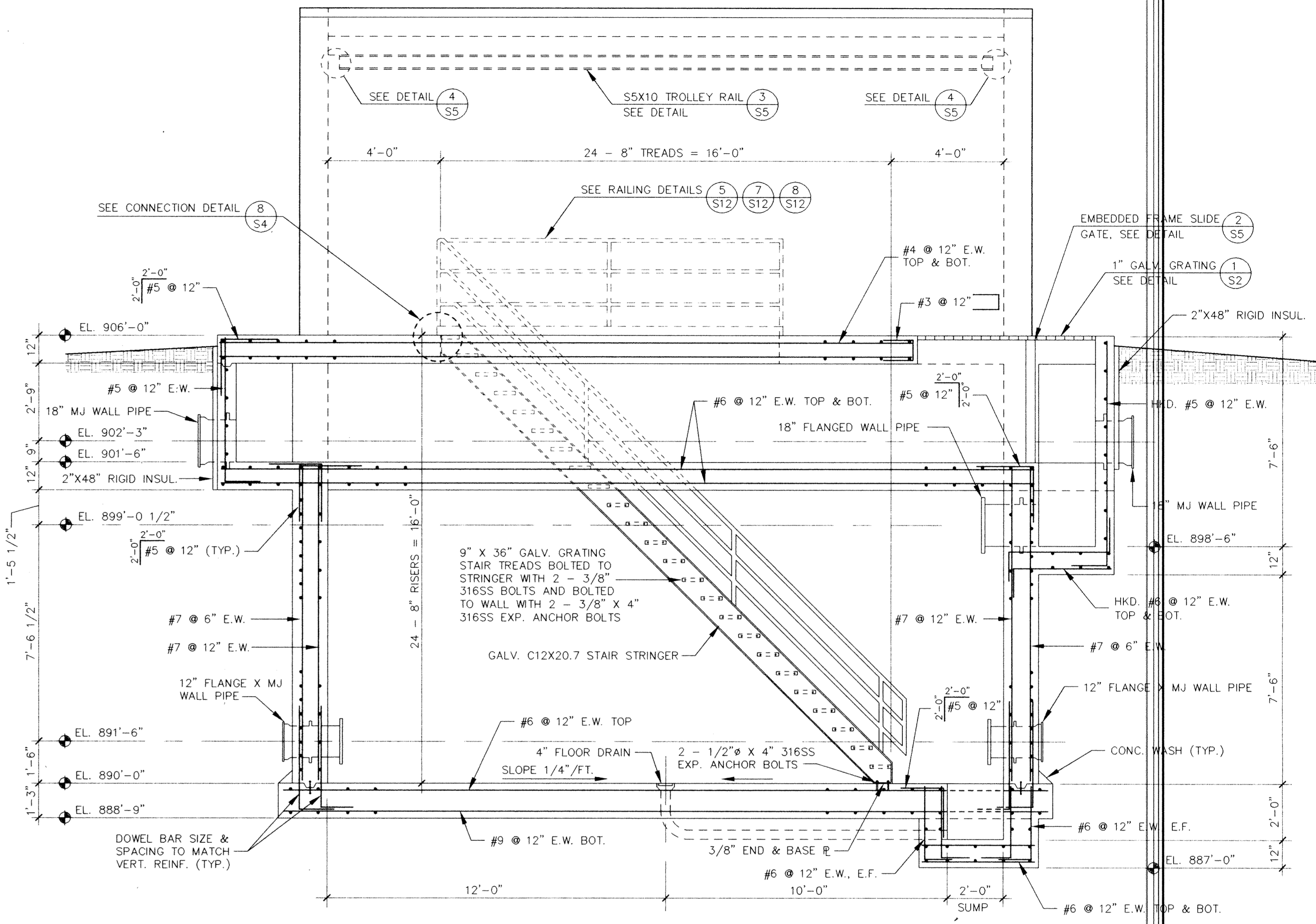


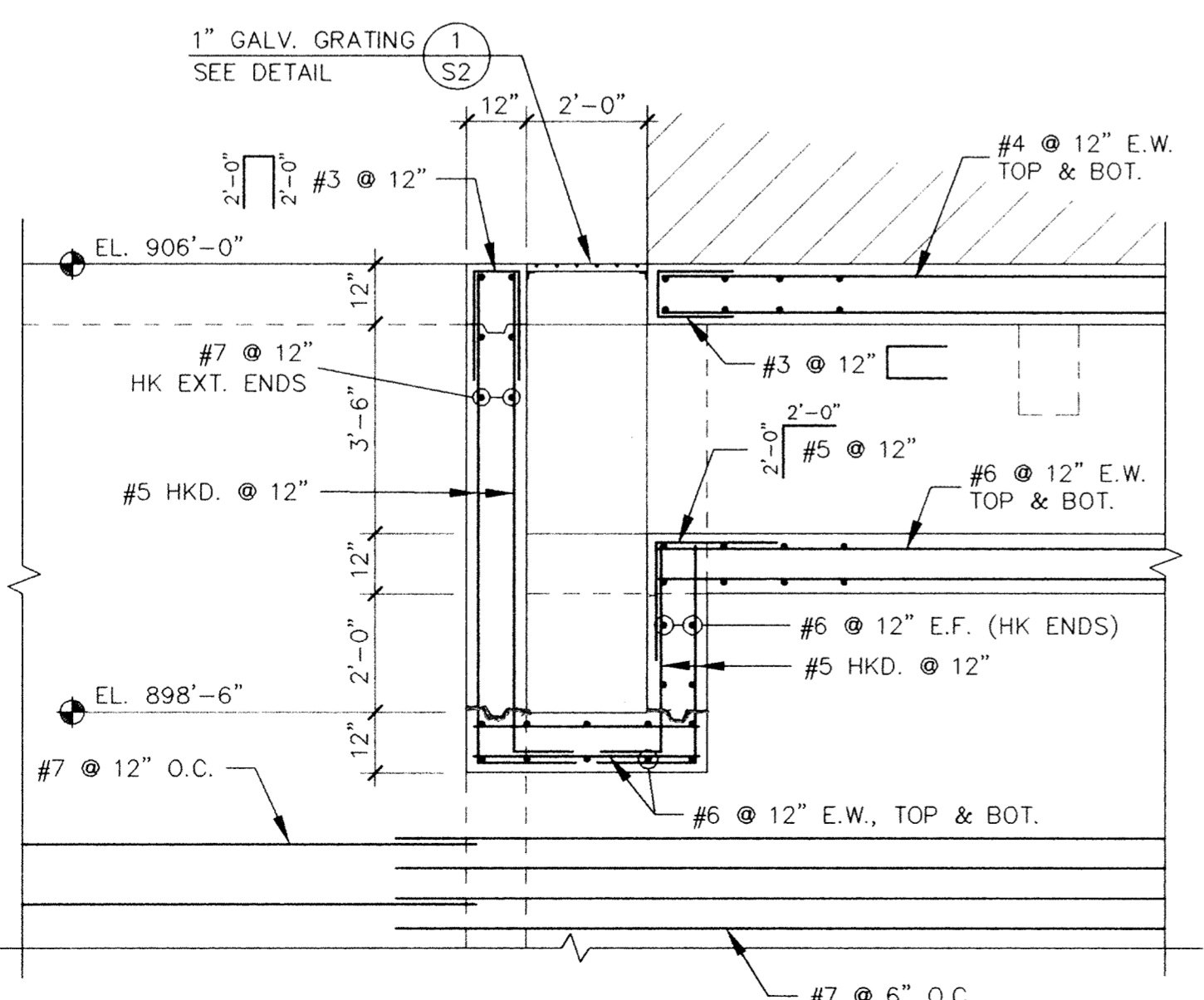
NOTE:
SEE SUBMERSIBLE PUMP MANUFACTURER
REQUIREMENTS FOR GROUT SLOPE IN
WET WELL. GROUT SHALL BE TAPERED
TO ALLOW CLEAR FLOW THRU SLUICE
GATE AS DIRECTED BY THE ENGINEER.

SECTION 1
Scale: 3/8" = 1'-0" S3

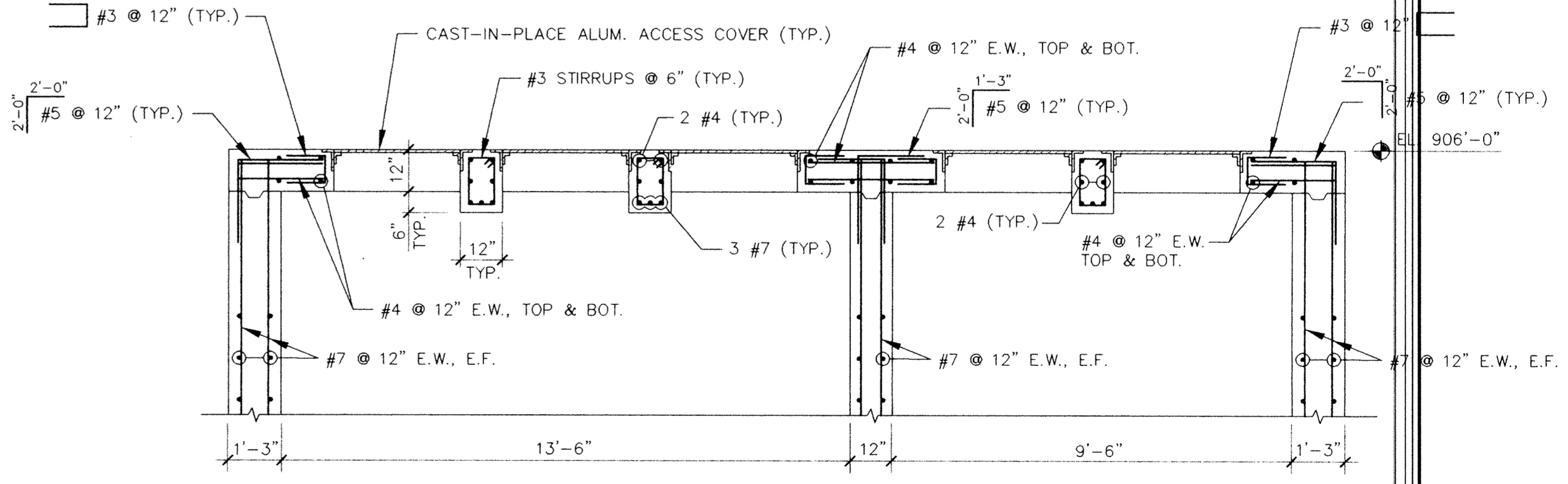
NOTE:
SLUICE GATE TO EAST WET WELL SHALL BE CLOSED UNTIL
FINAL CONSTRUCTION AND TEMPORARILY SEALED WITH
SILICONE SEALANT.



SECTION 2
Scale: 3/8" = 1'-0" S3



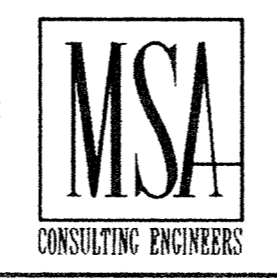
SECTION 4
Scale: 3/8" = 1'-0" S3



SECTION 3
Scale: 3/8" = 1'-0" S3

NOTE:
SEE SHEET S13 FOR TYPICAL
STRUCTURAL DETAILS.

I HEREBY CERTIFY THAT THIS PLAN, SPECIFICATION,
OR REPORT WAS PREPARED BY ME OR UNDER MY DIRECT
SUPERVISION AND THAT I AM A DULY REGISTERED
PROFESSIONAL ENGINEER UNDER THE LAWS OF THE
STATE OF MINNESOTA.
Daniel L. Cull
DATE: 3/19/94 REG. NO. 27222



1326 ENERGY PARK DRIVE
ST. PAUL, MINNESOTA 55108
(612) 644-4389

9800 SHELARD PARKWAY
MINNEAPOLIS, MINNESOTA 55441
(612) 546-0432

REVISION	DATE	DESCRIPTION	DESIGNED	CHECKED	DRAWN
			DLC	LJL	GG

GRAPHIC SCALE
0 HORIZ. 2.67
0 VERT. 2.67

CITY OF ELK RIVER
WASTEWATER TREATMENT FACILITIES
TRICKLING FILTER PUMP STATION
STRUCTURAL SECTIONS

DATE: DEC. 1993 SHEET 10 OF 41 SHEETS PROJECT NO. 230-151

S3