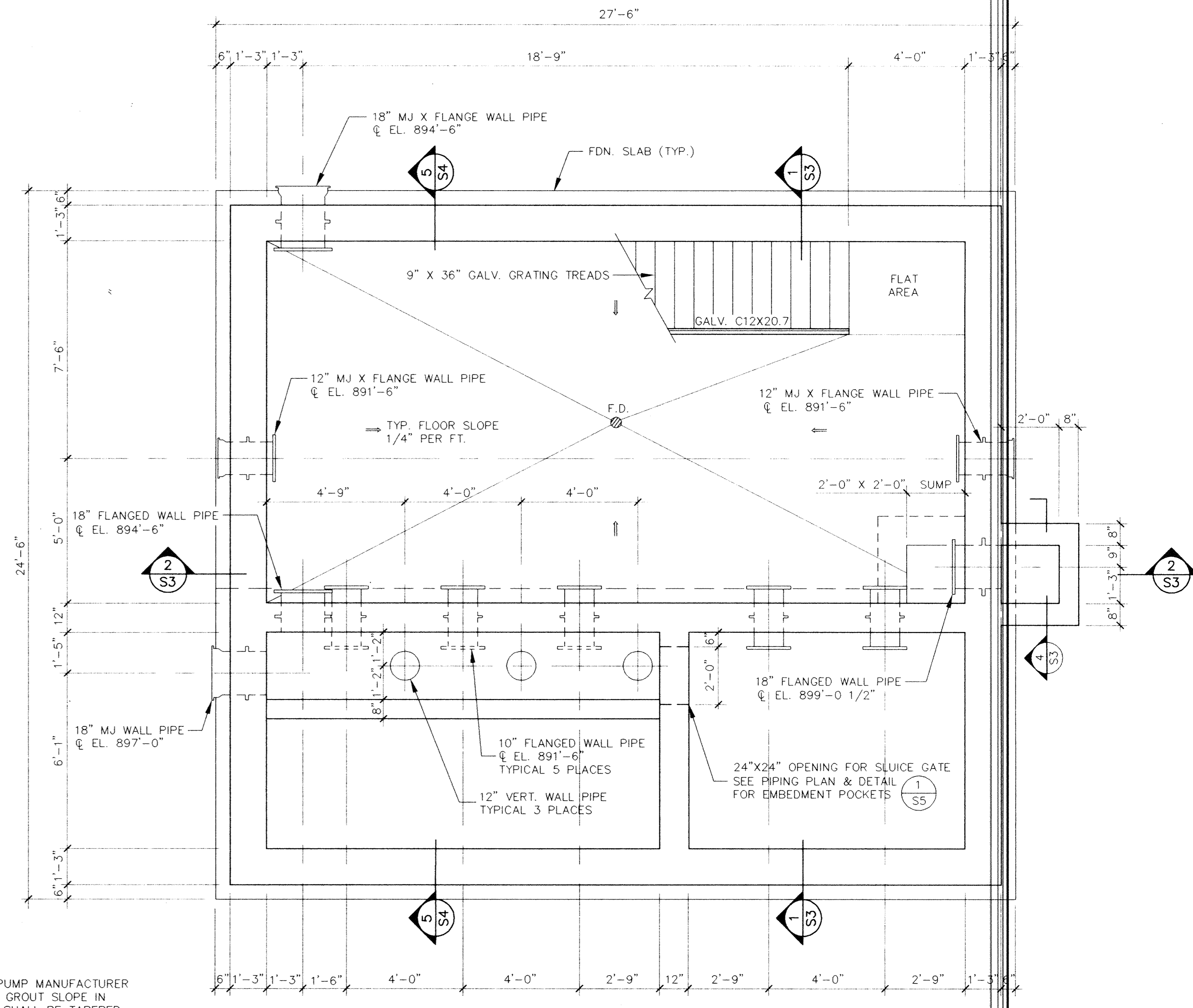
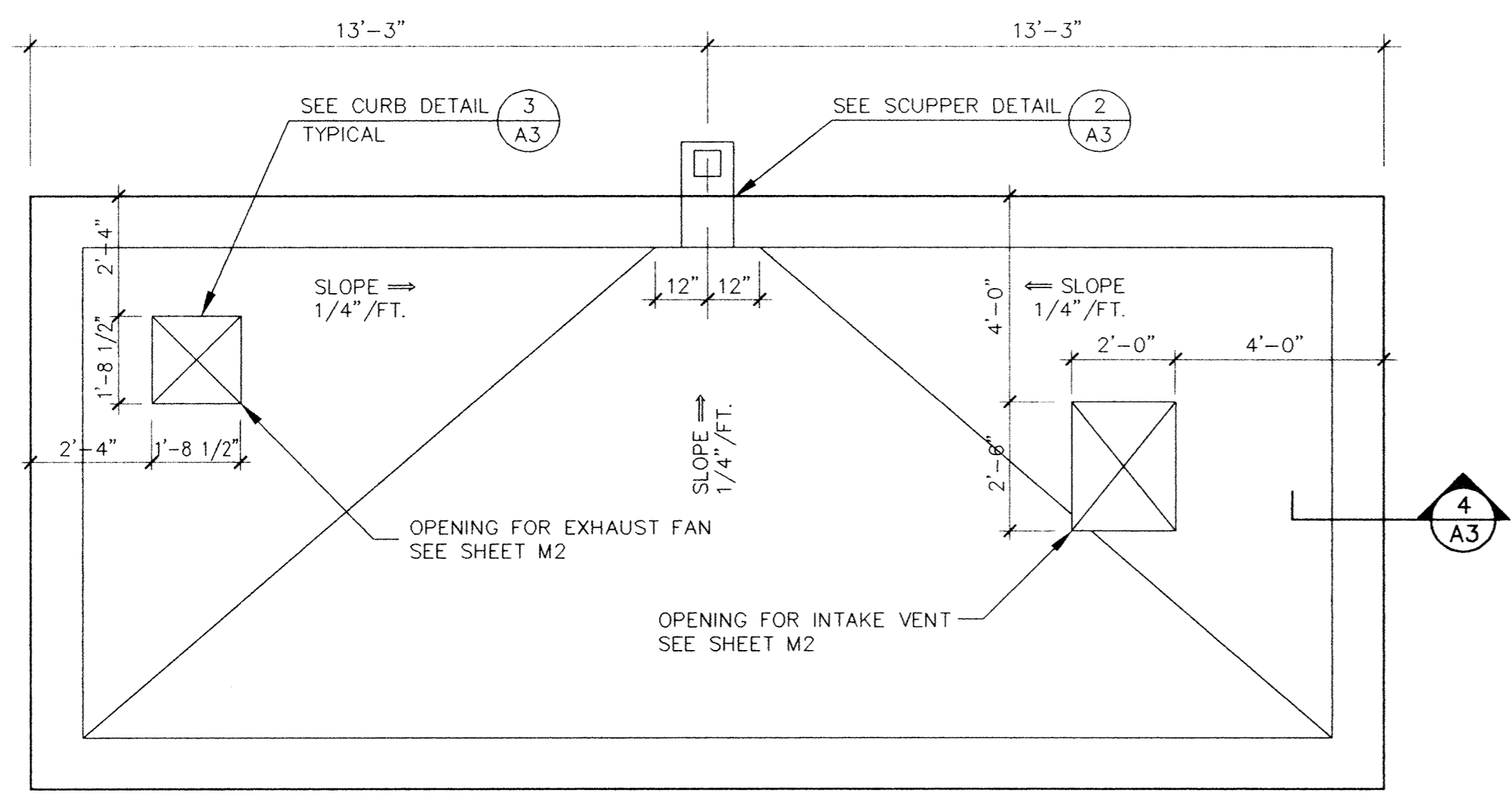


TRICKLING FILTER PUMP STATION PLAN @ GRADE
 Scale: 3/8" = 1'-0" ELEV. ≈ 906.00

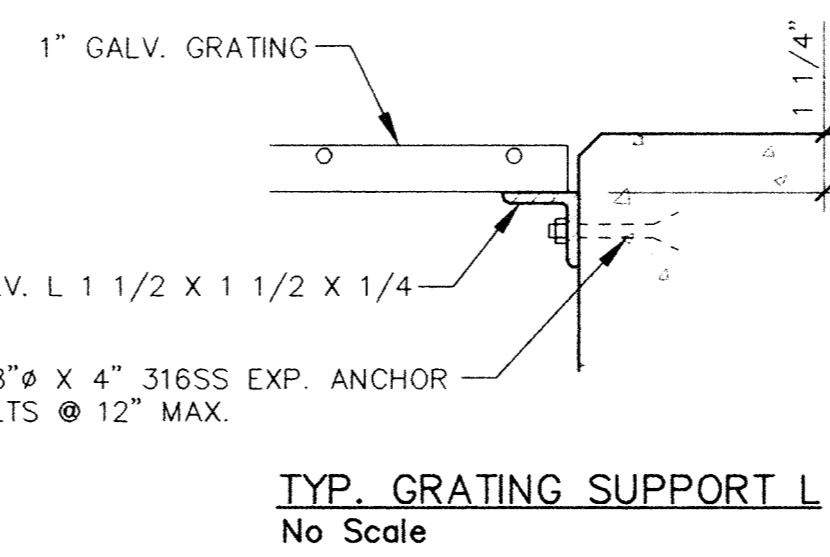


TRICKLING FILTER PUMP STATION PLAN @ EL. 901.00
 Scale: 3/8" = 1'-0"

NOTE:
 SEE SUBMERSIBLE PUMP MANUFACTURER
 REQUIREMENTS FOR GROUT SLOPE IN
 WET WELL. GROUT SHALL BE TAPERED
 TO ALLOW CLEAR FLOW THRU SLUICE
 GATE AS DIRECTED BY THE ENGINEER.

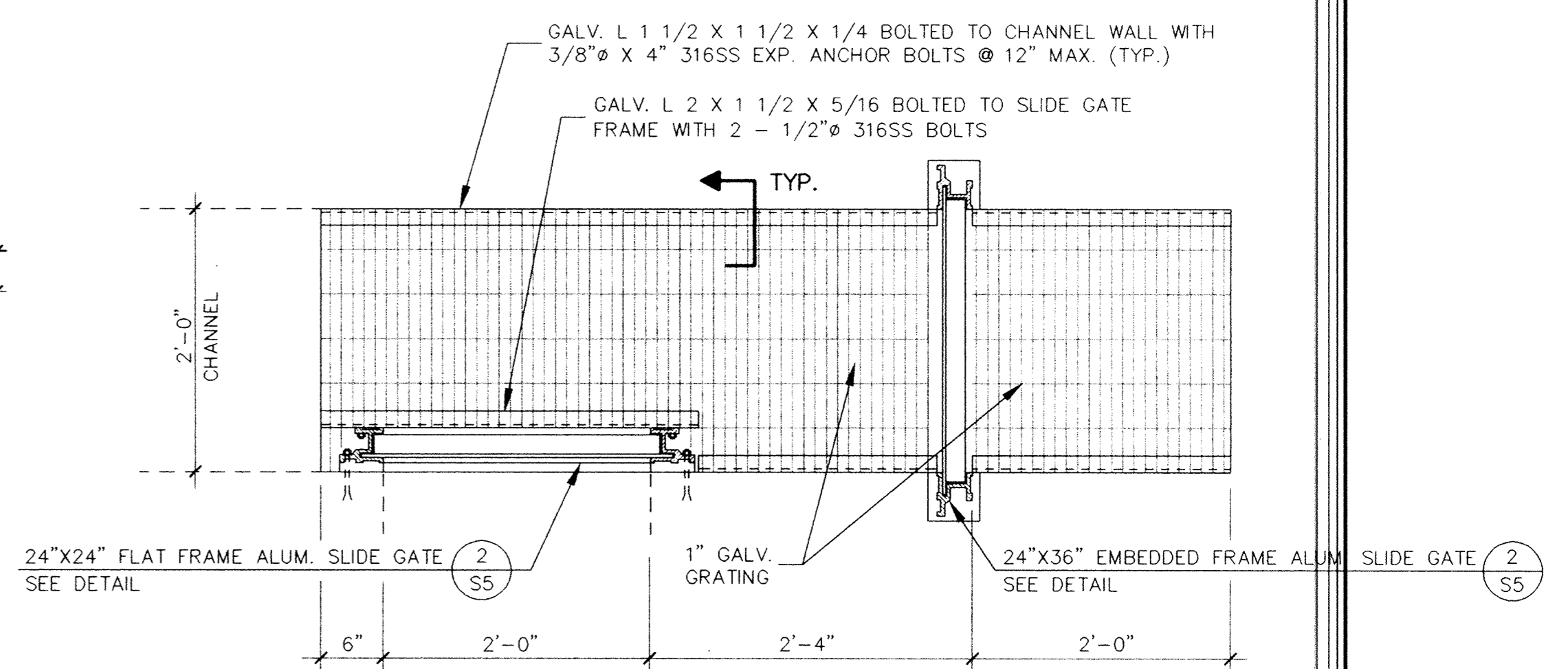


TRICKLING FILTER PUMP STATION BLDG. ROOF PLAN
 Scale: 3/8" = 1'-0"



TYP. GRATING SUPPORT L
 No Scale

NOTE:
 SEE SHEET S13 FOR TYPICAL
 STRUCTURAL DETAILS.



SLIDE GATE OPENING DETAIL
 Scale: 1" = 1'-0"

NOTE:
 SLUICE GATE TO SOUTH SHALL BE CLOSED UNTIL FINAL
 CONSTRUCTION AND TEMPORARILY SEALED WITH
 SILICONE SEALANT.

Sat. Feb 26 10:56:47 1994

I HEREBY CERTIFY THAT THIS PLAN, SPECIFICATION,
 OR REPORT WAS PREPARED BY ME OR UNDER MY DIRECT
 SUPERVISION AND THAT I AM A DULY REGISTERED
 PROFESSIONAL ENGINEER UNDER THE LAWS OF THE
 STATE OF MINNESOTA.
D. J. Caldwell
 DATE 3/27/94 REG. NO. 2222



1326 ENERGY PARK DRIVE
 ST. PAUL, MINNESOTA 55108
 (612) 644-4389

 9800 SHELARD PARKWAY
 MINNEAPOLIS, MINNESOTA 55441
 (612) 546-0432

REVISIONS	DATE	DESCRIPTION	DESIGNED DJL GG
			CHECKED LJJ
			DRAWN GG
			GRAPHIC SCALE
			0 HORIZ. 2.67
			0 VERT. 2.67

CITY OF ELK RIVER WASTEWATER TREATMENT FACILITIES TRICKLING FILTER PUMP STATION STRUCTURAL PLANS		S2	
DATE DEC. 1993	SHEET 9 OF 41 SHEETS	PROJECT NO. 230-151	