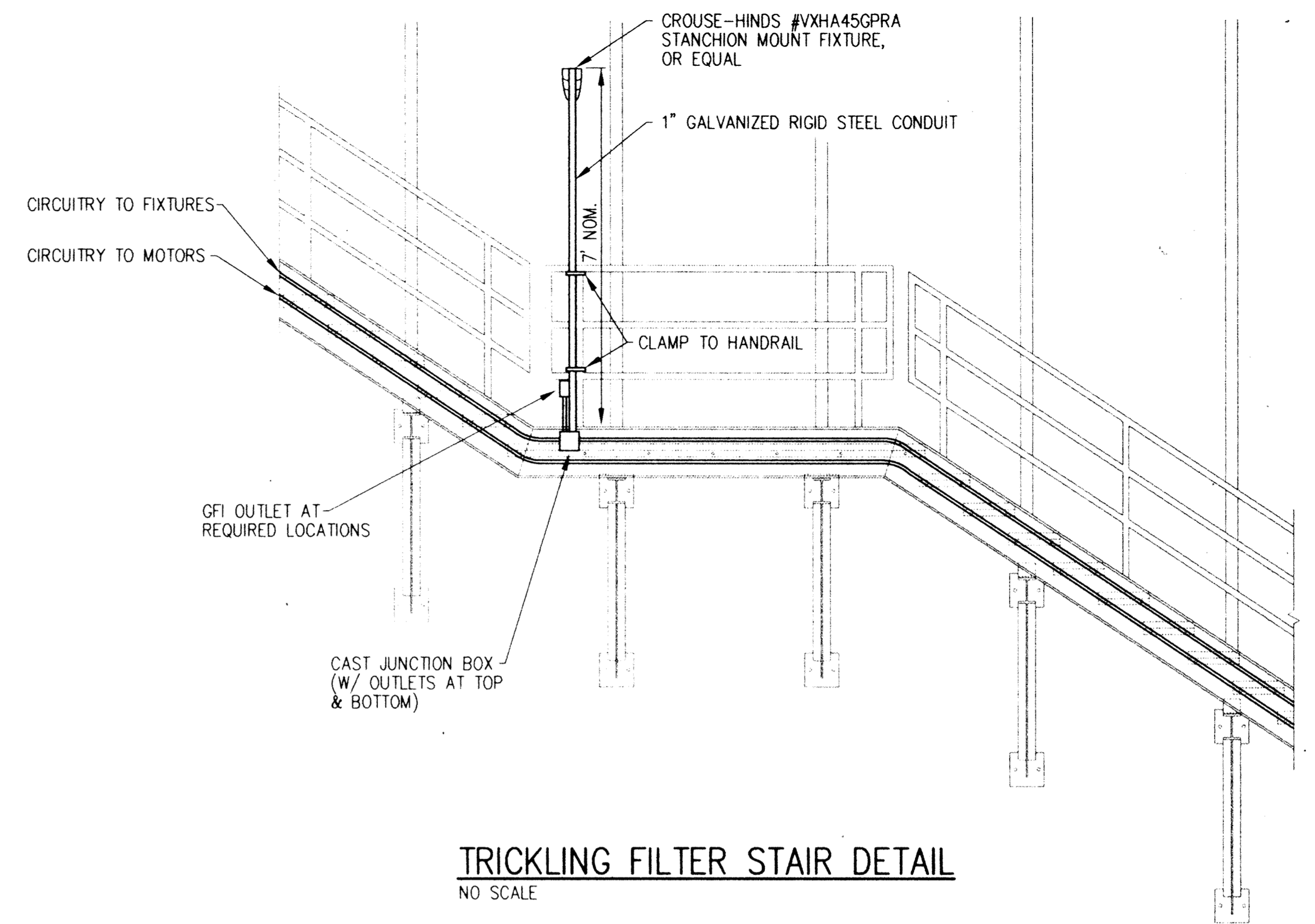
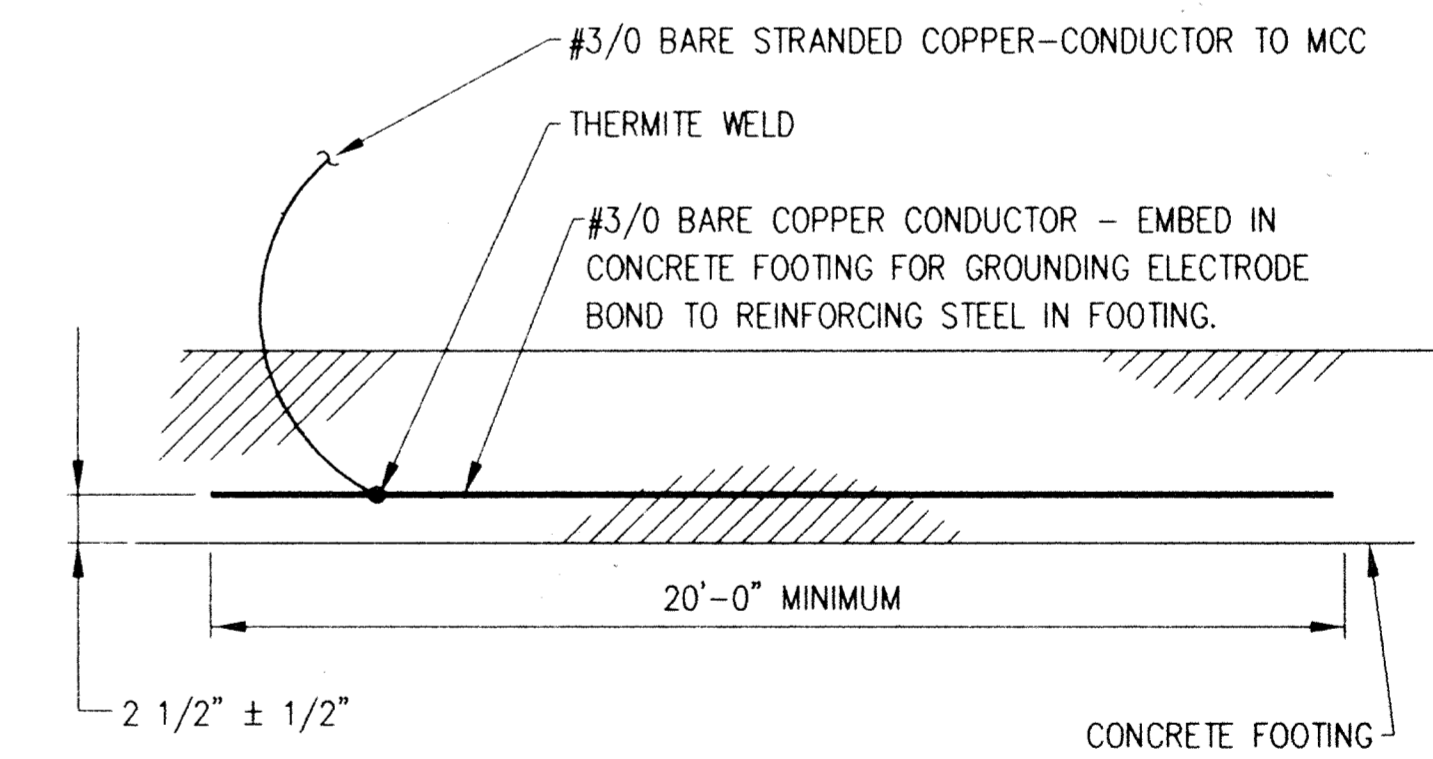


**ELECTRICAL JUNCTION BOX PLAN**  
SCALE: 1/2" = 1'-0"



**TRICKLING FILTER STAIR DETAIL**  
NO SCALE



**UFER GROUNDING ELECTRODE DETAIL**  
NO SCALE

This drawing was prepared by:  
**Kaeding & Associates, Inc.**  
7300 France Avenue South  
Suite 330  
Minneapolis, MN 55435  
Telephone: (612) 831-0317  
Fax: (612) 831-2179

I HEREBY CERTIFY THAT THIS PLAN, SPECIFICATION, OR REPORT WAS PREPARED BY ME OR UNDER MY DIRECT SUPERVISION AND THAT I AM A DULY REGISTERED PROFESSIONAL ENGINEER UNDER THE LAWS OF THE STATE OF MINNESOTA.  
*[Signature]*  
DATE: 11/1/99 REG. NO. 9955



1326 ENERGY PARK DRIVE  
ST. PAUL, MINNESOTA 55108  
(612) 644-4389  
  
9800 SHELARD PARKWAY  
MINNEAPOLIS, MINNESOTA 55441  
(612) 546-0432

DATE	DESCRIPTION	DESIGNED	PFK
		CHECKED	PFK
		DRAWN	DTB
		GRAPHIC SCALE	
		0 HORIZ.	
		0 VERT.	

CITY OF ELK RIVER	
WASTEWATER TREATMENT FACILITIES	
ELECTRICAL DETAILS	
DATE DEC 1993	SHEET 41 OF 41 SHEETS

**E14**