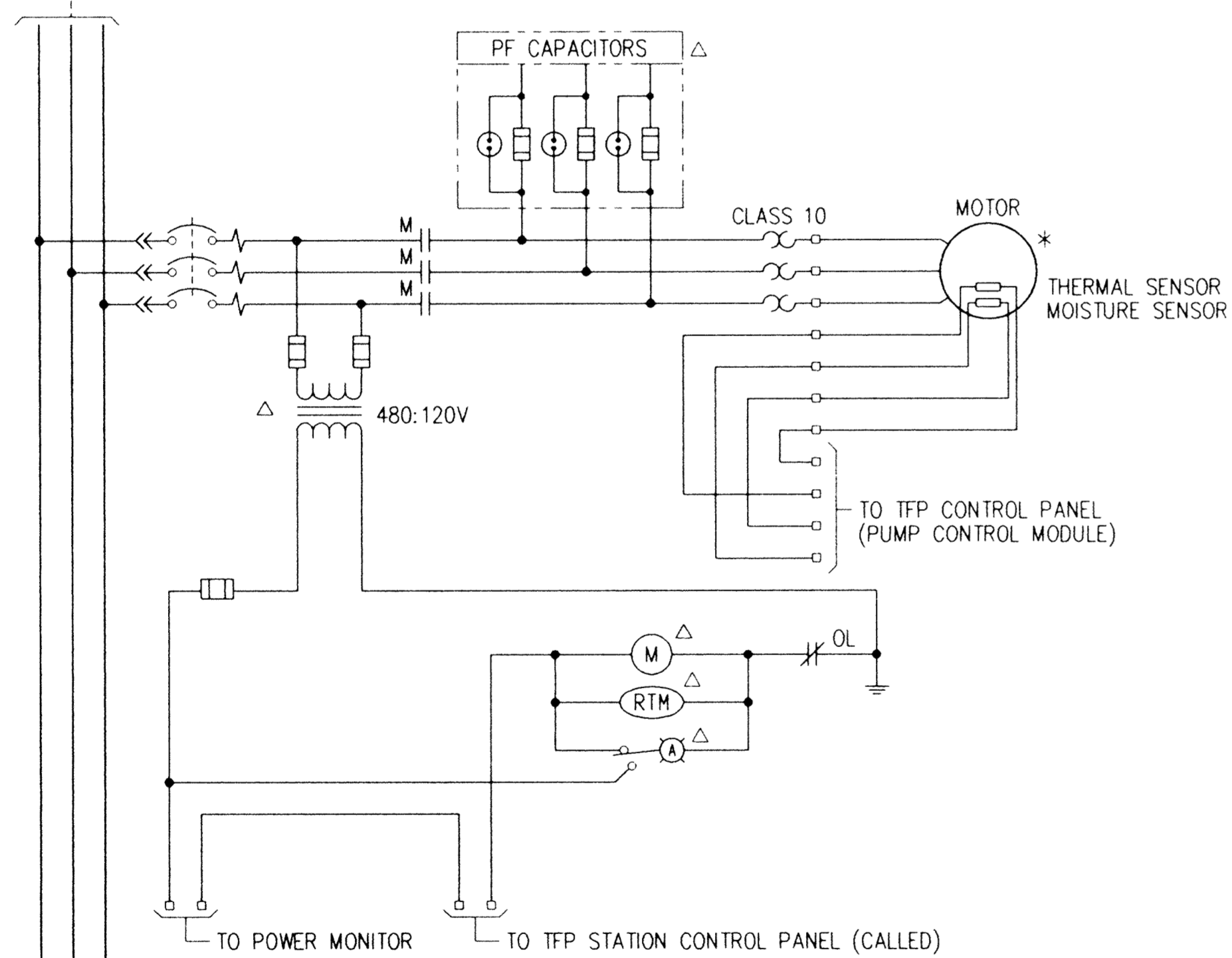
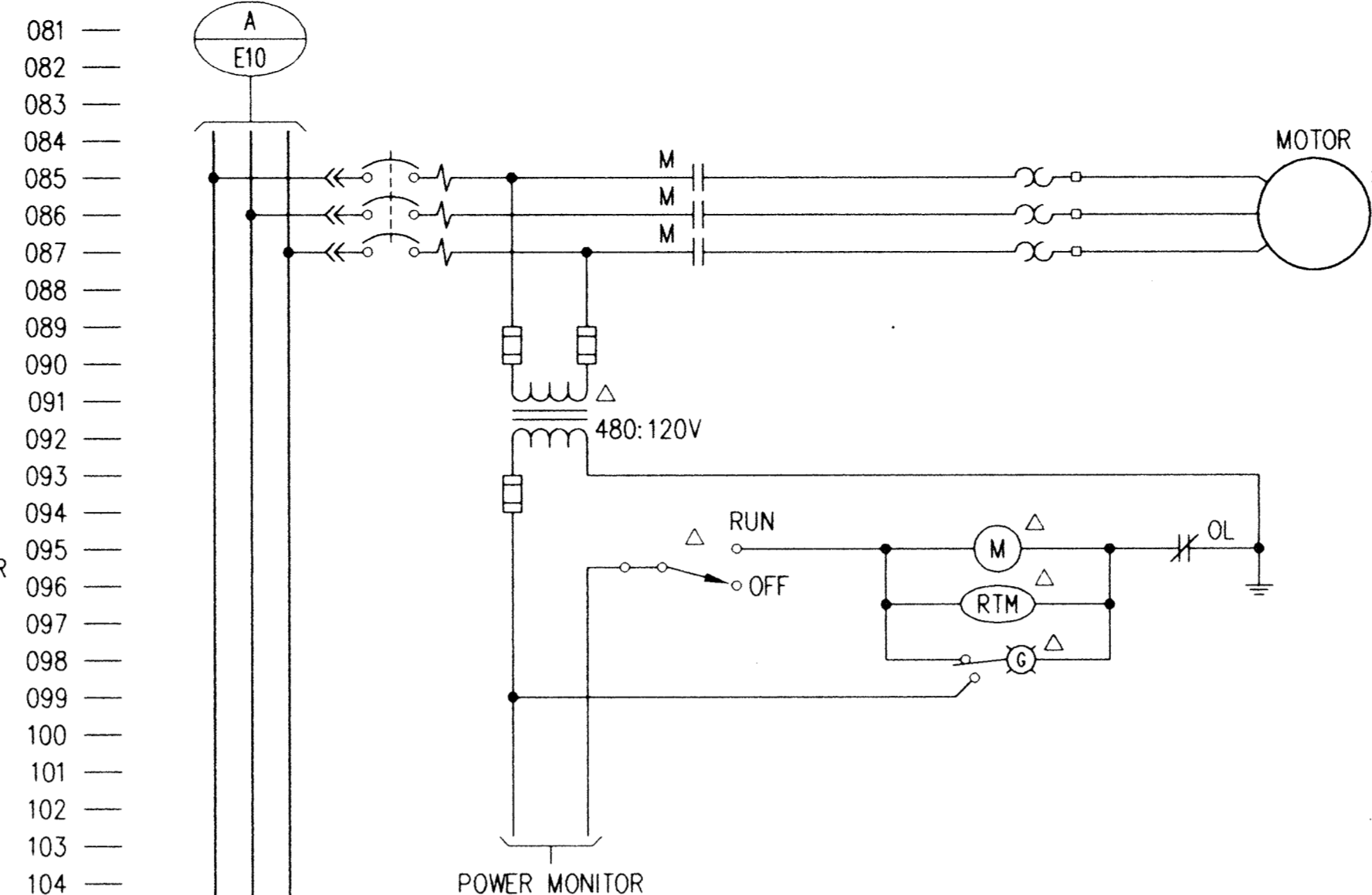


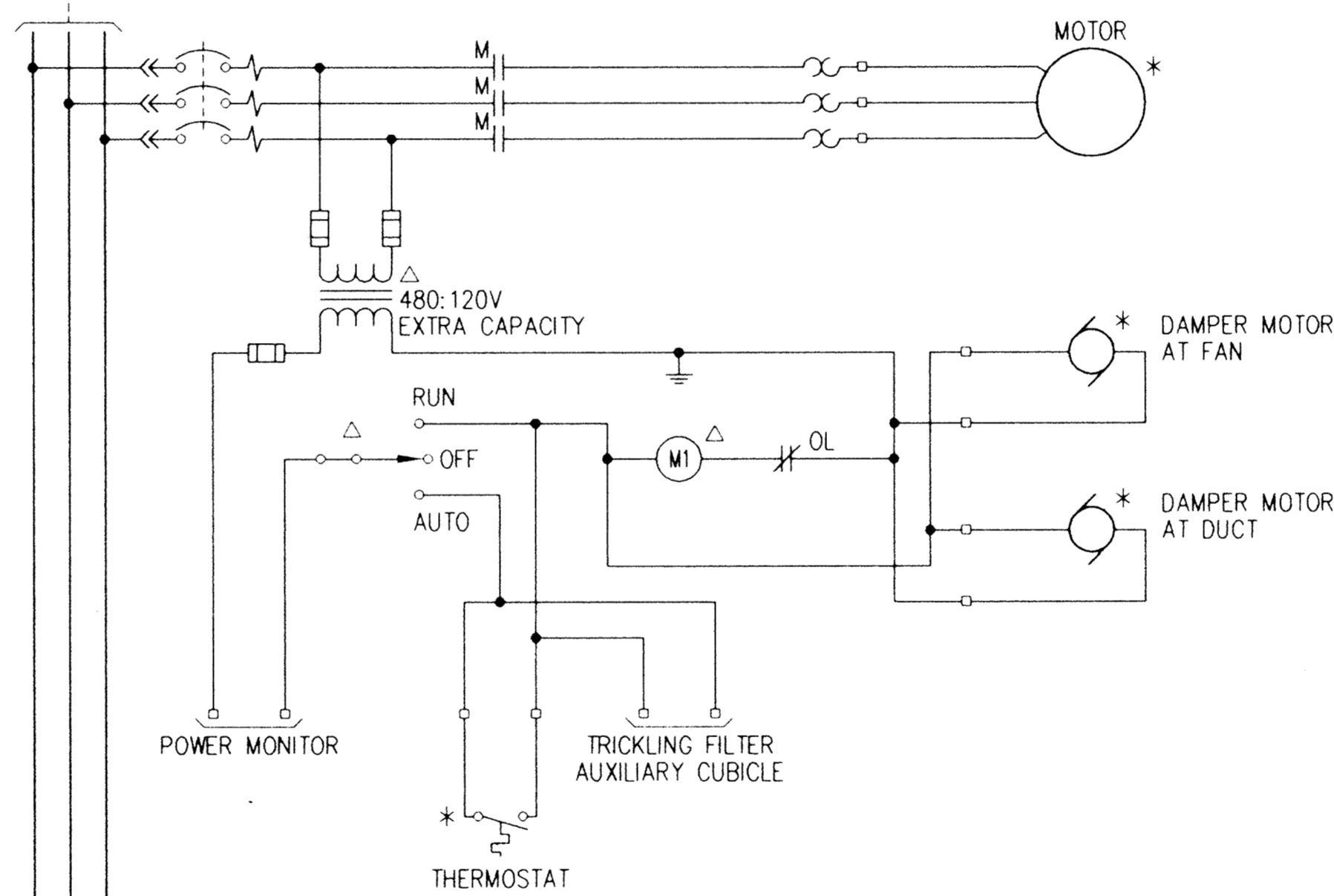
POWER MONITOR SCHEMATIC
NO SCALE



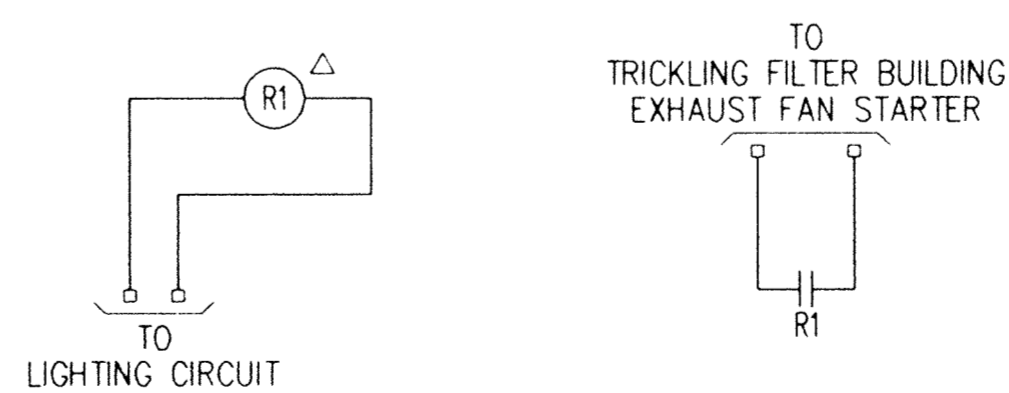
TRICKLING FILTER PUMP STARTER SCHEMATIC
NO SCALE TYPICAL



TRICKLING FILTER FAN SCHEMATIC
NO SCALE



TRICKLING FILTER BUILDING EXHAUST FAN
NO SCALE



TRICKLING FILTER EXHAUST FAN AUXILIARY CUBICLE
NO SCALE

LEGEND	
SYMBOL	DESCRIPTION
△	MOTOR CONTROL CENTER MOUNTED
*	FIELD MOUNTED
◇	CONTROL PANEL MOUNTED

This drawing was prepared by
Kaeding & Associates, Inc.
7300 France Avenue South
Suite 330
Minneapolis, MN 55435
Telephone: (612) 831-0377
Fax: (612) 831-2179

I HEREBY CERTIFY THAT THIS PLAN, SPECIFICATION, OR REPORT WAS PREPARED BY ME OR UNDER MY DIRECT SUPERVISION AND THAT I AM A DULY REGISTERED PROFESSIONAL ENGINEER UNDER THE LAWS OF THE STATE OF MINNESOTA.
Jan M. [Signature]
DATE: March 1994 REG. NO. 9955



1326 ENERGY PARK DRIVE
ST. PAUL, MINNESOTA 55108
(612) 644-4389

9800 SHELARD PARKWAY
MINNEAPOLIS, MINNESOTA 55441
(612) 546-0432

REVISIONS	DATE	DESCRIPTION

DESIGNED PFK
CHECKED PFK
DRAWN DTB
GRAPHIC SCALE
0 HORIZ.
0 VERT.

CITY OF ELK RIVER
WASTEWATER TREATMENT FACILITIES
MCC SCHEMATICS
DATE: DEC. 1993 SHEET 37 OF 41 SHEETS PROJECT NO. 230-151