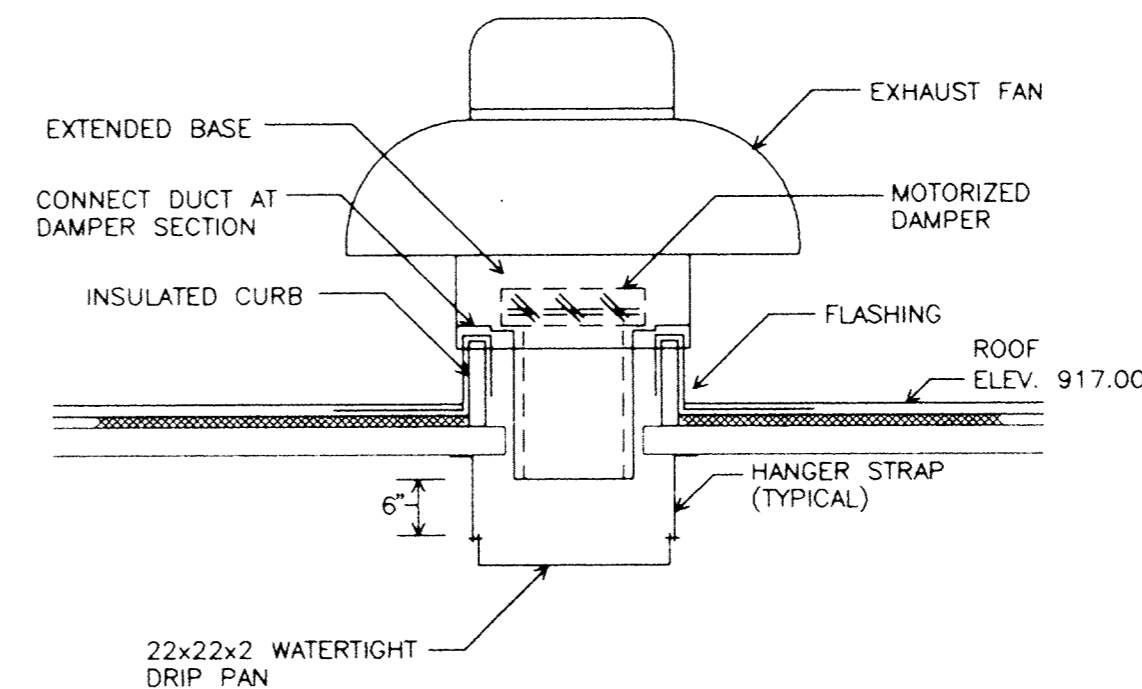
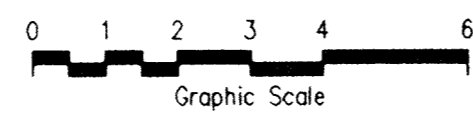
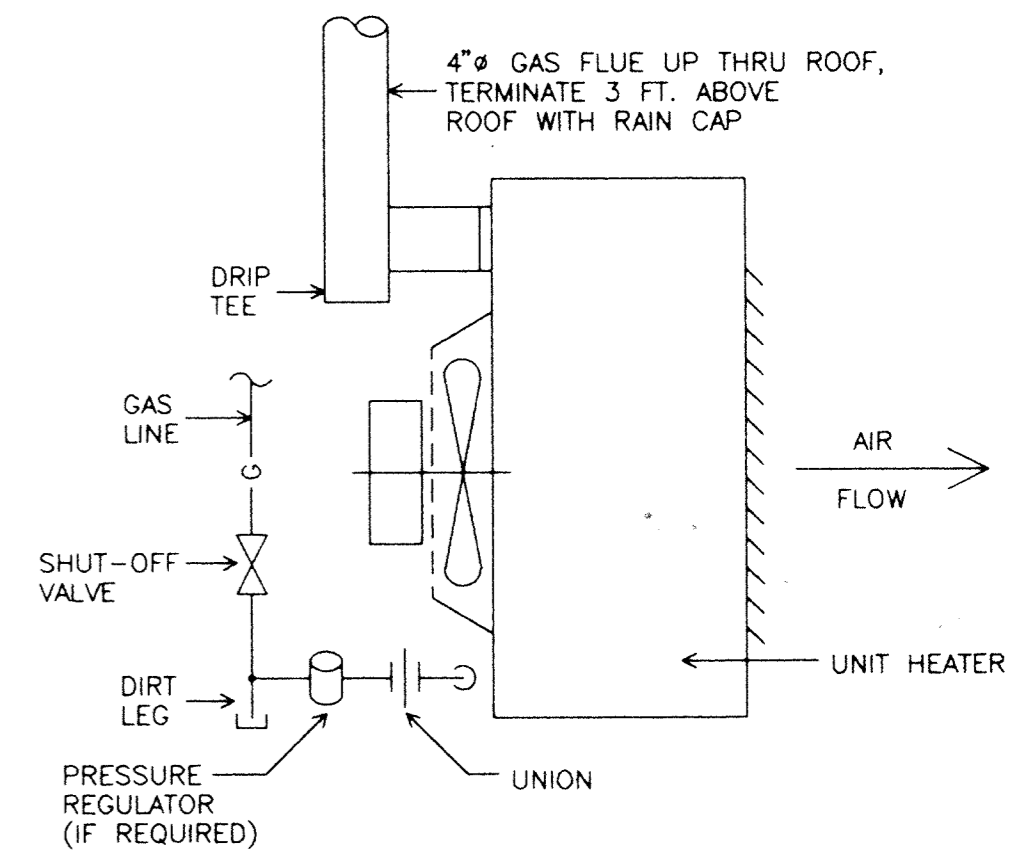


**TRICKLING FILTER PUMP STATION VENTILATION PLAN**  
 SCALE: 3/8" = 1'-0"  
 FIRST LEVEL F.F.E. 906.00



**1** ROOF MOUNTED EXHAUST FAN DETAIL  
 NO SCALE



**2** UNIT HEATER DETAIL  
 NO SCALE

**EXHAUST FANS**

FAN NO.	LOCATION	SERVICE	MODEL NO. *	FAN TYPE	CAPACITY CFM	S.P. W.G.	ROOF OPENING SQ	TIP SPEED FPM	EST. FAN RPM	SONES	DRIVE	MOTOR TYPE	H.P.	R.P.M.	ELECTRICAL CHARACTERISTICS	ACCESSORIES	REMARKS	INTER-LOCK WITH
EF-1	ROOF	PUMP STATION	GB-180	PRV	3150	0.75	20-1/2	5000	1030	12.9	BELT	OPEN	3/4	1750	480/60/3	ROOF CURB, EXTENDED BASE, 120V MOT. DAMPER		GV-1

\* BASED ON: GREENHECK

**GAS-FIRED UNIT HEATERS**

UNIT NO.	LOCATION	MODEL NO. *	UNIT TYPE	FAN TYPE	CFM	AIR ENT. T.	GAS INLET PRESSURE	INPUT MBH	OUTPUT MBH	POWER VENTER	H.P.	RPM	ELECTRICAL CHARACTERISTICS	CONTROLS	REMARKS
UH-1	LOWER LEVEL	GPND-003	HORIZ	PROP	700	60	7" W.G.	30.0	24.3	NO	1/30	1050	115/60/1	24V REMOTE T-STAT	

\* BASED ON: TRANE

**GRAVITY VENTS**

UNIT NO.	LOCATION	SERVING	MODEL NO. *	TYPE	CFM	S.P. W.G.	ROOF OPENING SIZE INCHES	CURB HEIGHT INCHES	ACCESSORIES	REMARKS
GV-1	ROOF	PUMP STATION	FABRA	INTAKE	3150	0.10	24 30	12	ROOF CURB, 120V MOT. DAMPER	

\* BASED ON: GREENHECK

This drawing was prepared by:  
**Wentz Associates, Inc.**  
 7300 France Avenue South  
 Suite 330  
 Minneapolis, MN 55435  
 Telephone: (612) 831-1180  
 Fax: (612) 831-2179

I HEREBY CERTIFY THAT THIS PLAN, SPECIFICATION, OR REPORT WAS PREPARED BY ME OR UNDER MY DIRECT SUPERVISION AND THAT I AM A DULY REGISTERED PROFESSIONAL ENGINEER UNDER THE LAWS OF THE STATE OF MINNESOTA.  
*Thomas G. Wentz*  
 DATE 01 MAR 94 REG. NO. 18860



1326 ENERGY PARK DRIVE  
 ST. PAUL, MINNESOTA 55108  
 (612) 644-4389  
 9800 SHELARD PARKWAY  
 MINNEAPOLIS, MINNESOTA 55441  
 (612) 546-0432

DATE	DESCRIPTION

DESIGNED TAW  
 CHECKED TAW  
 DRAWN SRS  
 GRAPHIC SCALE  
 0 HORIZ.  
 0 VERT.

**CITY OF ELK RIVER**  
 WASTEWATER TREATMENT FACILITIES  
 TRICKLING FILTER PUMP STATION  
 VENTILATION PLAN

**M2**