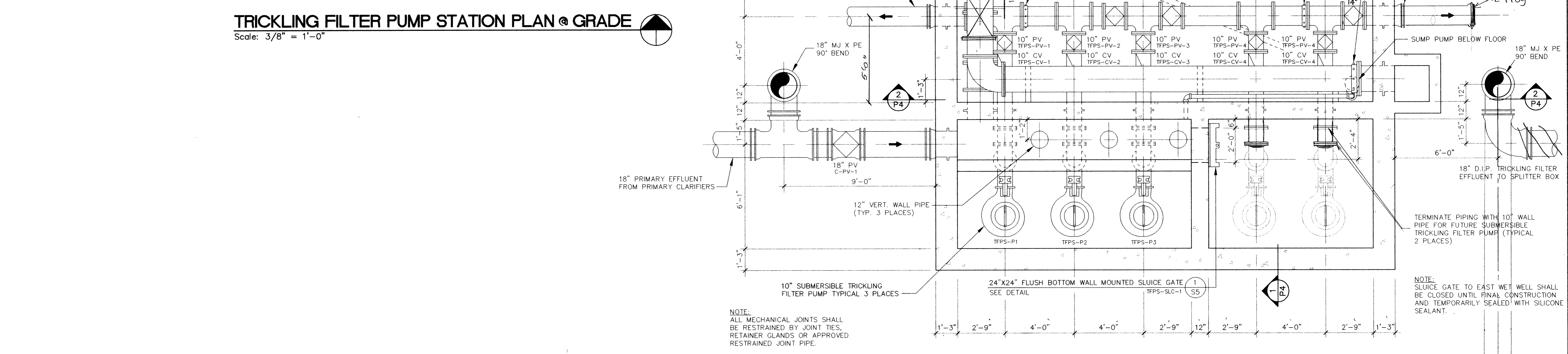


**TRICKLING FILTER PUMP STATION PLAN @ GRADE**  
 Scale: 3/8" = 1'-0"



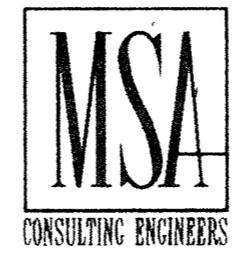
**TRICKLING FILTER PUMP STATION PLAN @ EL. 900.00**  
 Scale: 3/8" = 1'-0"

NOTE:  
 ALL MECHANICAL JOINTS SHALL BE RESTRAINED BY JOINT TIES, RETAINER GLANDS OR APPROVED RESTRAINED JOINT PIPE.

NOTE:  
 SLUICE GATE TO EAST WET WELL SHALL BE CLOSED UNTIL FINAL CONSTRUCTION AND TEMPORARILY SEALED WITH SILICONE SEALANT.

NOTE:  
 SLUICE GATE TO EAST WET WELL SHALL BE CLOSED UNTIL FINAL CONSTRUCTION AND TEMPORARILY SEALED WITH SILICONE SEALANT.

I HEREBY CERTIFY THAT THIS PLAN, SPECIFICATION, OR REPORT WAS PREPARED BY ME OR UNDER MY DIRECT SUPERVISION AND THAT I AM A DULY REGISTERED PROFESSIONAL ENGINEER UNDER THE LAWS OF THE STATE OF MINNESOTA.  
*Bill Case*  
 DATE 3/2/94 REG. NO. 22610



1326 ENERGY PARK DRIVE  
 ST. PAUL, MINNESOTA 55108  
 (612) 644-4389  
 9900 SHELARD PARKWAY  
 MINNEAPOLIS, MINNESOTA 55441  
 (612) 546-0432

REVISIONS	DATE	DESCRIPTION

DESIGNED BC GG  
 CHECKED TAR  
 DRAWN GG  
 GRAPHIC SCALE  
 0 HORIZ. 2.67  
 0 VERT. 2.67

CITY OF ELK RIVER  
 WASTEWATER TREATMENT FACILITIES  
 TRICKLING FILTER PUMP STATION  
 PIPING PLANS

P3

Sat. Feb. 26. 13. 12. 46. 1994