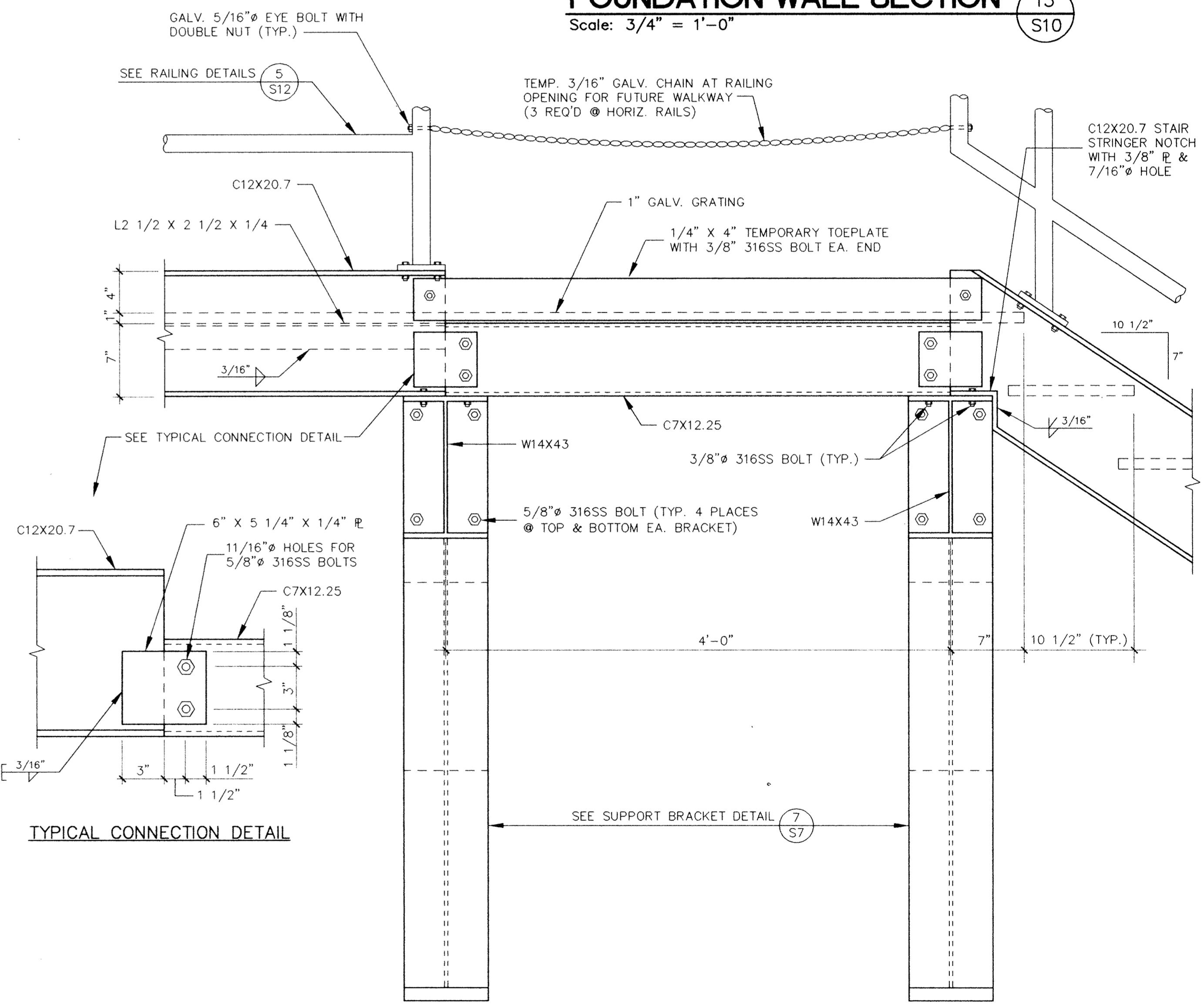
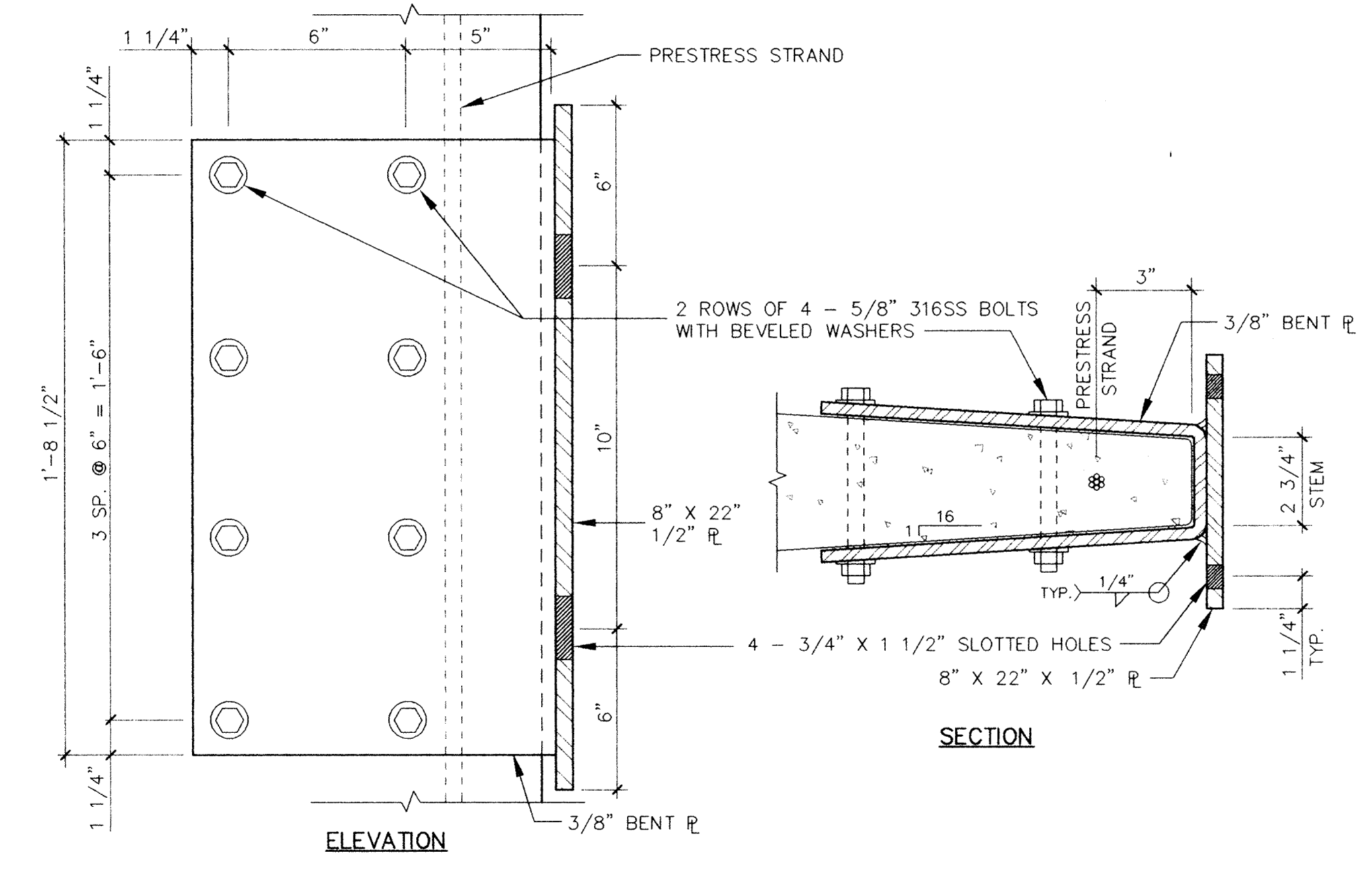
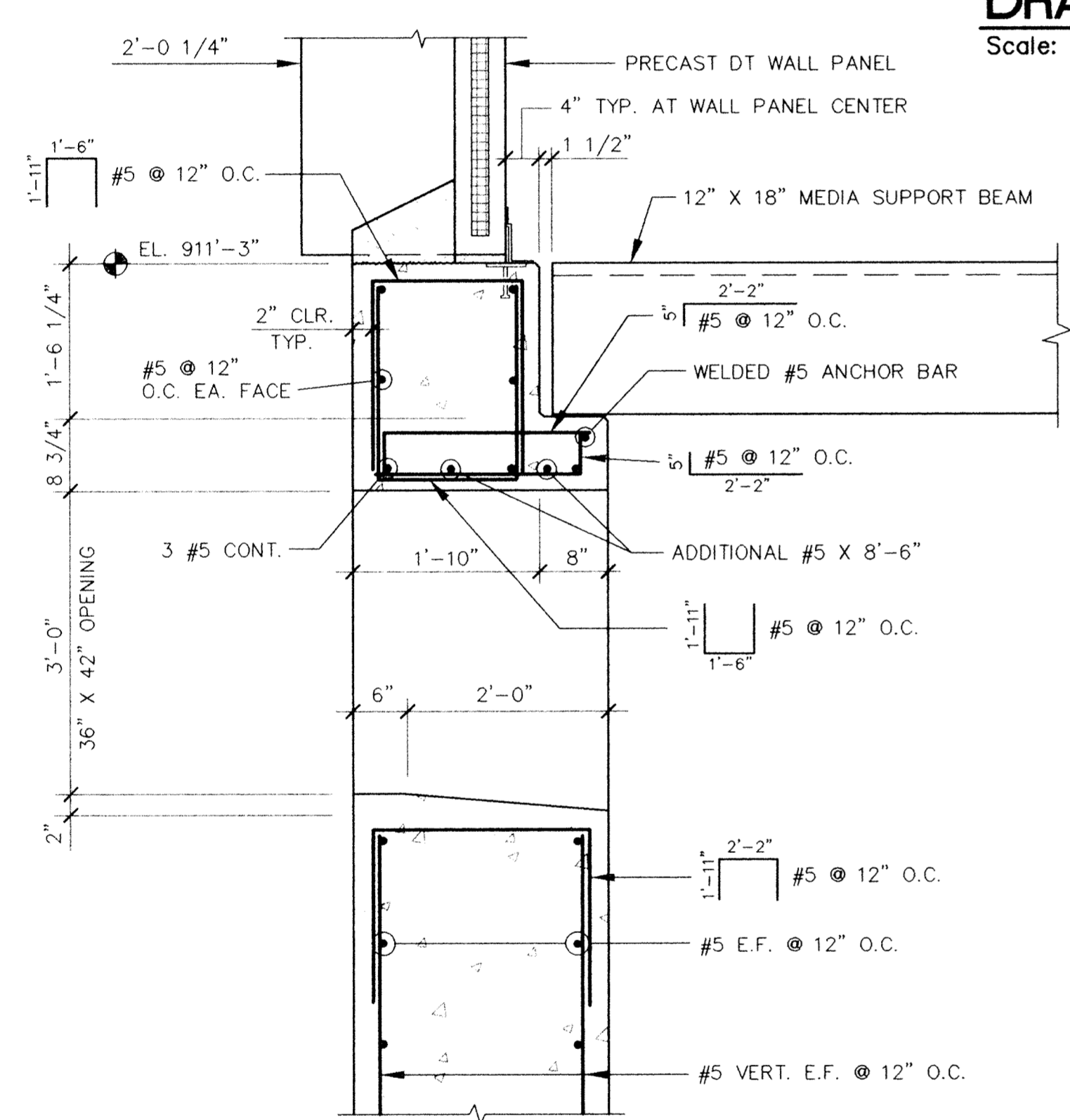


DRAIN CHANNEL CONNECTION DETAIL (12) S10
Scale: 3/4" = 1'-0"

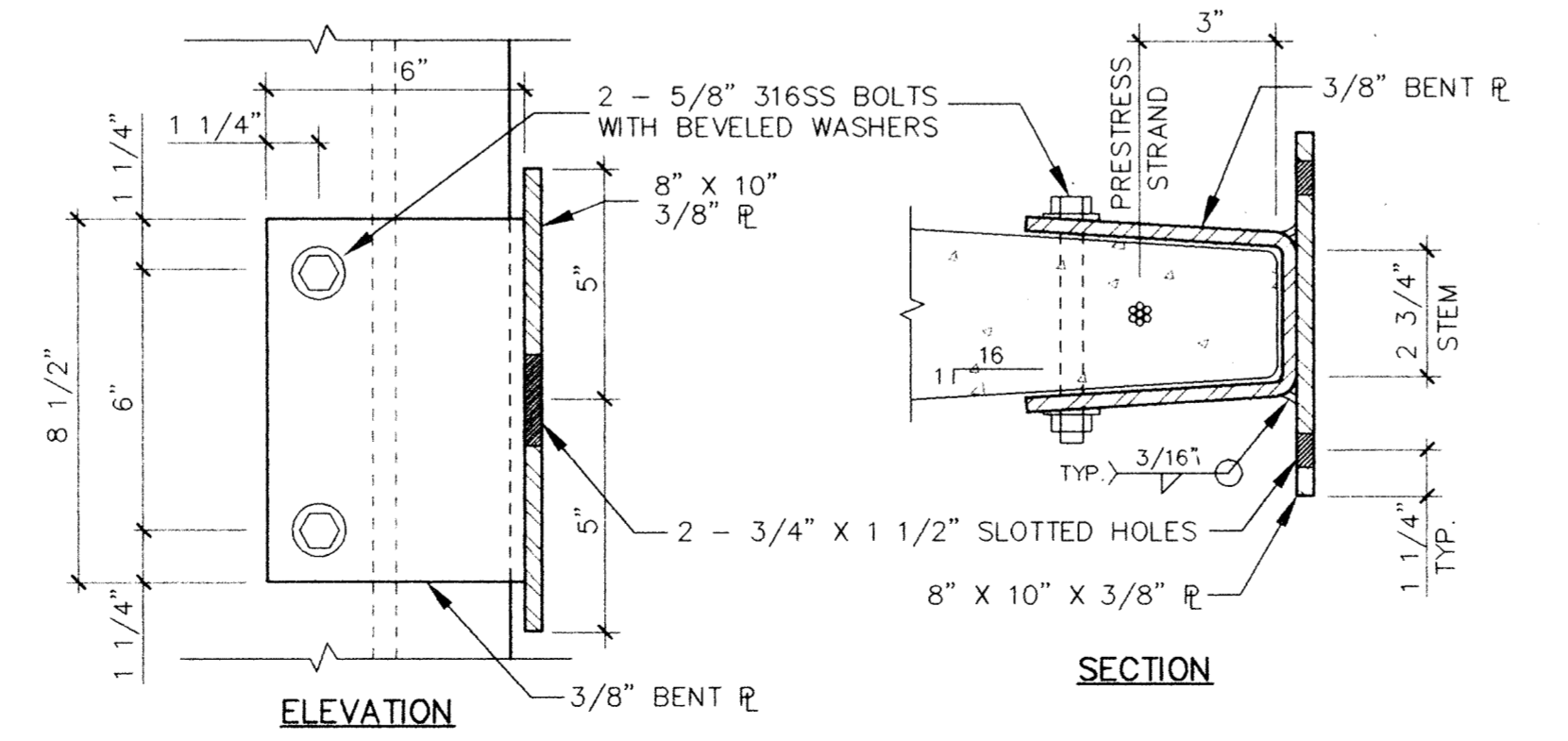
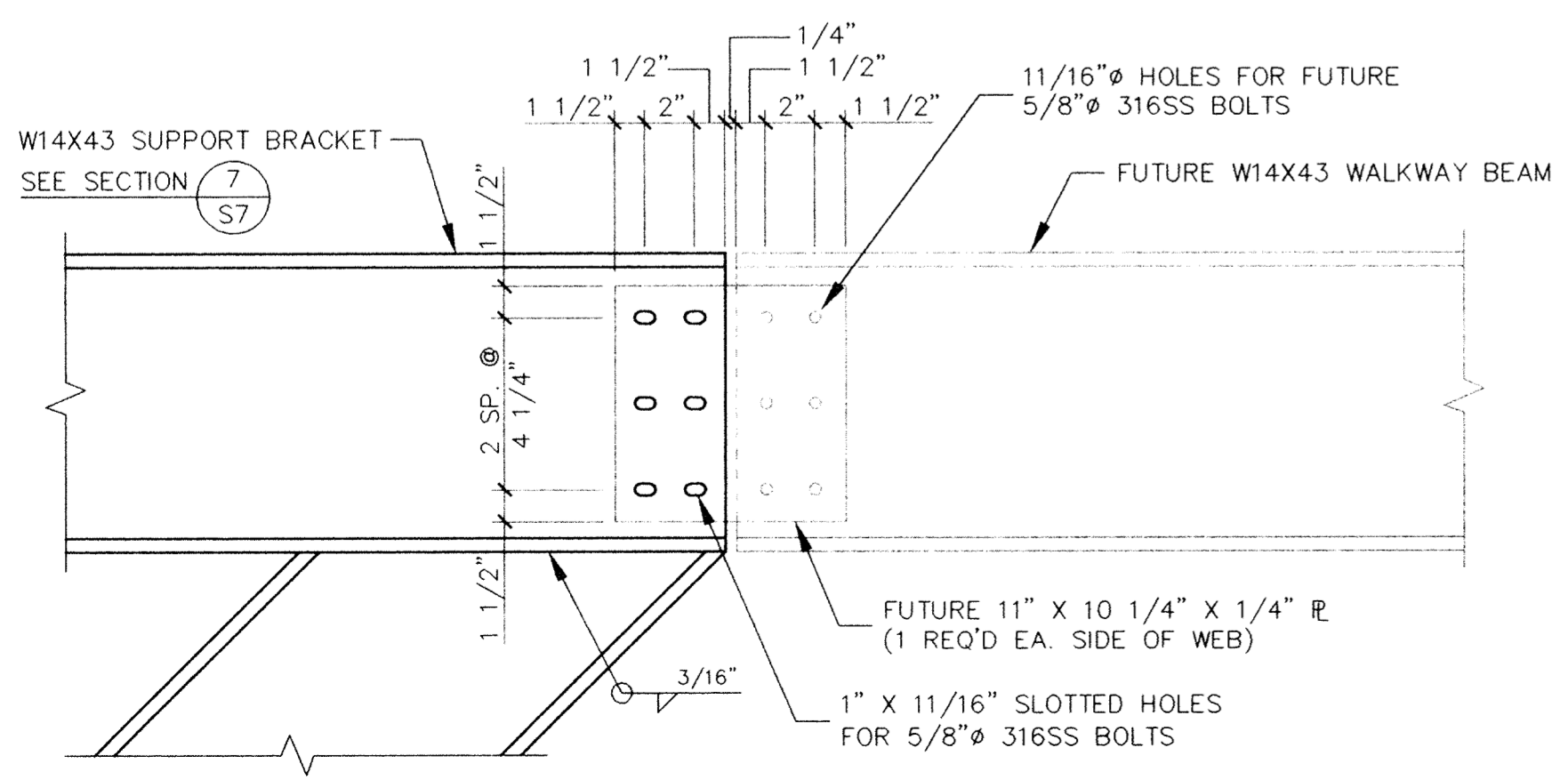
TYP. DRAIN CHANNEL THRU INTERIOR FOUNDATION WALL SECTION (13) S10
Scale: 3/4" = 1'-0"



TYP. EXTERIOR FOUNDATION WALL SECTION AT VENT OPENING (14) S10
Scale: 3/4" = 1'-0"

WALKWAY LANDING SUPPORT BRACKET DETAIL (16) S10
Scale: 3" = 1'-0"

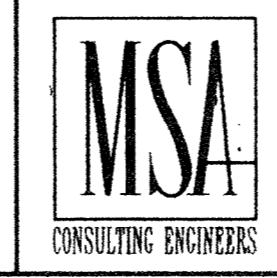
WALKWAY LANDING ELEVATION (17) S10
Scale: 1 1/2" = 1'-0"



FUTURE WALKWAY CONNECTION DETAIL (18) S10
Scale: 1 1/2" = 1'-0"

STAIR SUPPORT BRACKET DETAIL (15) S10
Scale: 3" = 1'-0"

I HEREBY CERTIFY THAT THIS PLAN, SPECIFICATION, OR REPORT WAS PREPARED BY ME OR UNDER MY DIRECT SUPERVISION AND THAT I AM A DULY REGISTERED PROFESSIONAL ENGINEER UNDER THE LAWS OF THE STATE OF MINNESOTA.
David L. Cahill
DA 32774 REG. NO. 23322



1326 ENERGY PARK DRIVE
ST. PAUL, MINNESOTA 55108
(612) 644-4389

9800 SHELARD PARKWAY
MINNEAPOLIS, MINNESOTA 55441
(612) 546-0432

DATE	DESCRIPTION	DESIGNED	DLC/GG
		CHECKED	LJL
		DRAWN	GG
		GRAPHIC SCALE	
		HORIZ.	1.33
		VERT.	1.33

CITY OF ELK RIVER
WASTEWATER TREATMENT FACILITIES
TRICKLING FILTER
STRUCTURAL DETAILS
DATE OCT. 1993 SHEET 17 OF 41 SHEETS PROJECT NO. 230-151

S10

501, FEB. 26, 11:53, 55, 1994

ER151-18