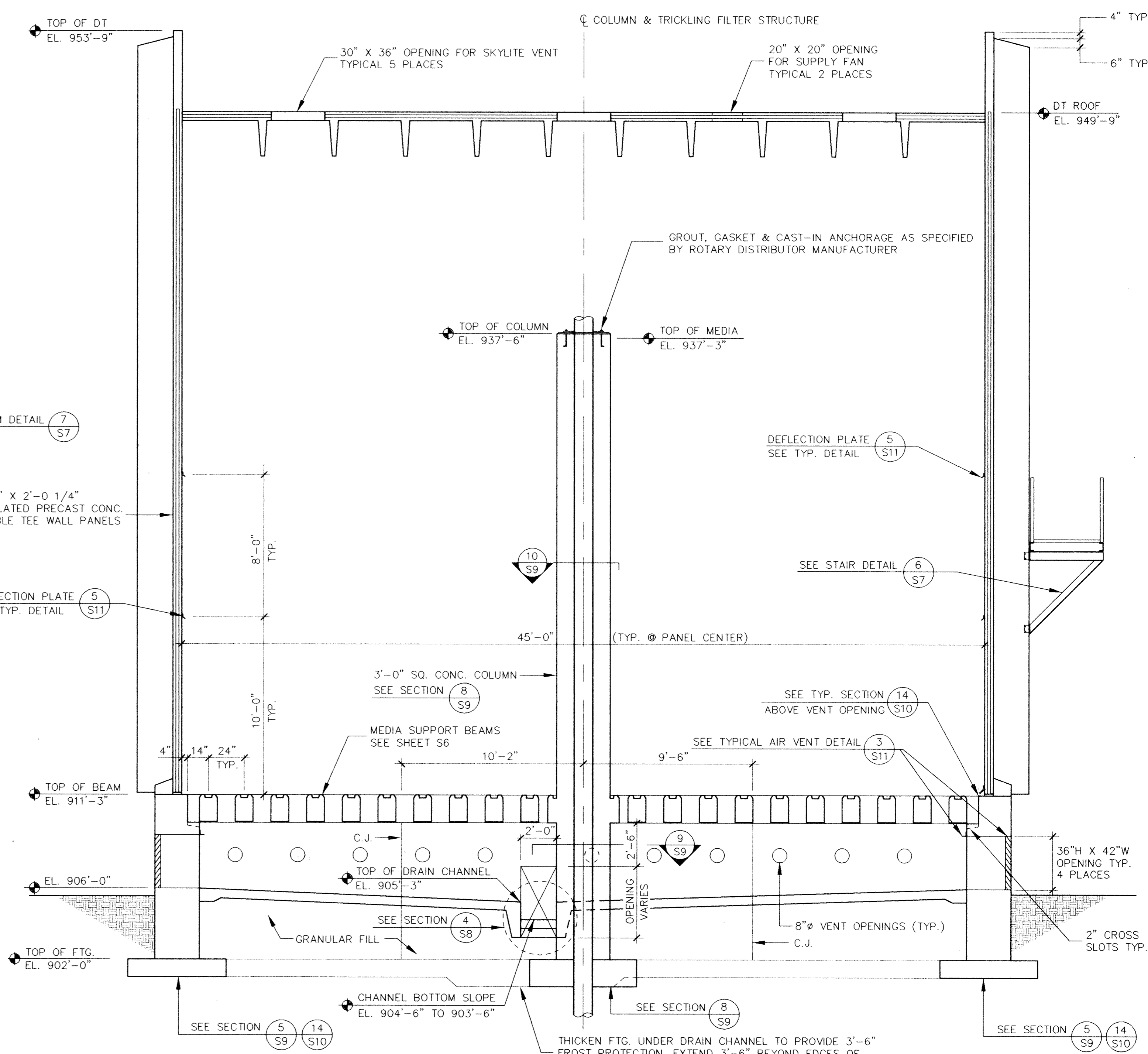
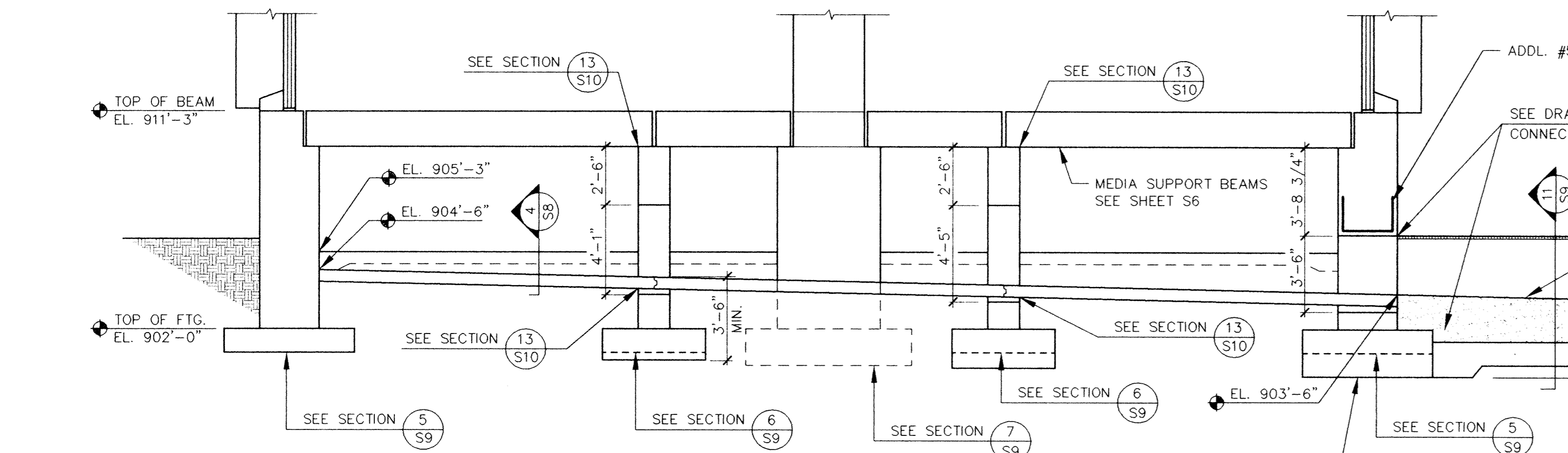


TRICKLING FILTER SECTION 1
Scale: 1/4" = 1'-0"



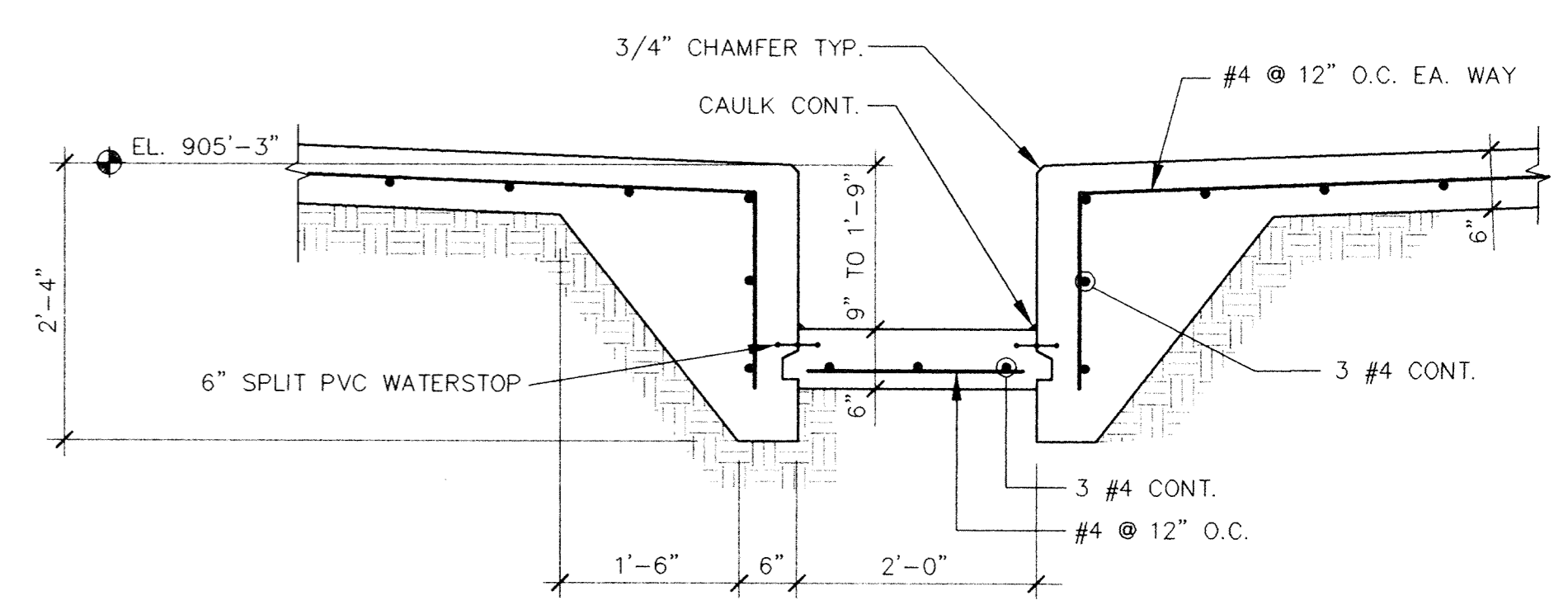
TRICKLING FILTER SECTION 2
Scale: 1/4" = 1'-0"



LONGITUDINAL SECTION THRU DRAIN TRENCH 3
Scale: 1/4" = 1'-0"

NOTES:

- ALL WALL DT SHEAR CONNECTIONS SHALL BE DESIGNED AND PROVIDED BY PRECASTER. ALL CONNECTIONS AND EMBEDDED PLATES SHALL BE 316SS.
- WALL DT LATERAL LOAD CASES:
CASE #1 LATERAL OUTWARD PRESSURE WITH THREE INTERIOR REMOVABLE DT ROOF PANELS.
CASE #2 LATERAL OUTWARD PRESSURE WITHOUT THREE INTERIOR REMOVABLE DT ROOF PANELS.
CASE #3 LATERAL INWARD PRESSURE WITH THREE INTERIOR REMOVABLE DT ROOF PANELS.
CASE #4 LATERAL INWARD PRESSURE WITHOUT THREE INTERIOR REMOVABLE DT ROOF PANELS.
- FOR ADDITIONAL DESIGN INFORMATION SEE SPECIFICATIONS.



TYPICAL INTERIOR DRAIN CHANNEL SECTION 4
Scale: 3/4" = 1'-0"

I HEREBY CERTIFY THAT THIS PLAN, SPECIFICATION, OR REPORT WAS PREPARED BY ME OR UNDER MY DIRECT SUPERVISION AND THAT I AM A DULY REGISTERED PROFESSIONAL ENGINEER UNDER THE LAWS OF THE STATE OF MINNESOTA.
David A. Cobble
DATE: 3/1/94 REG. NO. 25222



1326 ENERGY PARK DRIVE
ST. PAUL, MINNESOTA 55108
(612) 644-4389
9800 SHELARD PARKWAY
MINNEAPOLIS, MINNESOTA 55441
(612) 546-0432

REV.	DATE	DESCRIPTION	DESIGNED	DLG	GG
0					
0					
0					

CITY OF ELK RIVER
WASTEWATER TREATMENT FACILITIES
TRICKLING FILTER
STRUCTURAL SECTIONS
DATE: DEC. 1993 SHEET 15 OF 41 SHEETS PROJECT NO. 230-151

S8