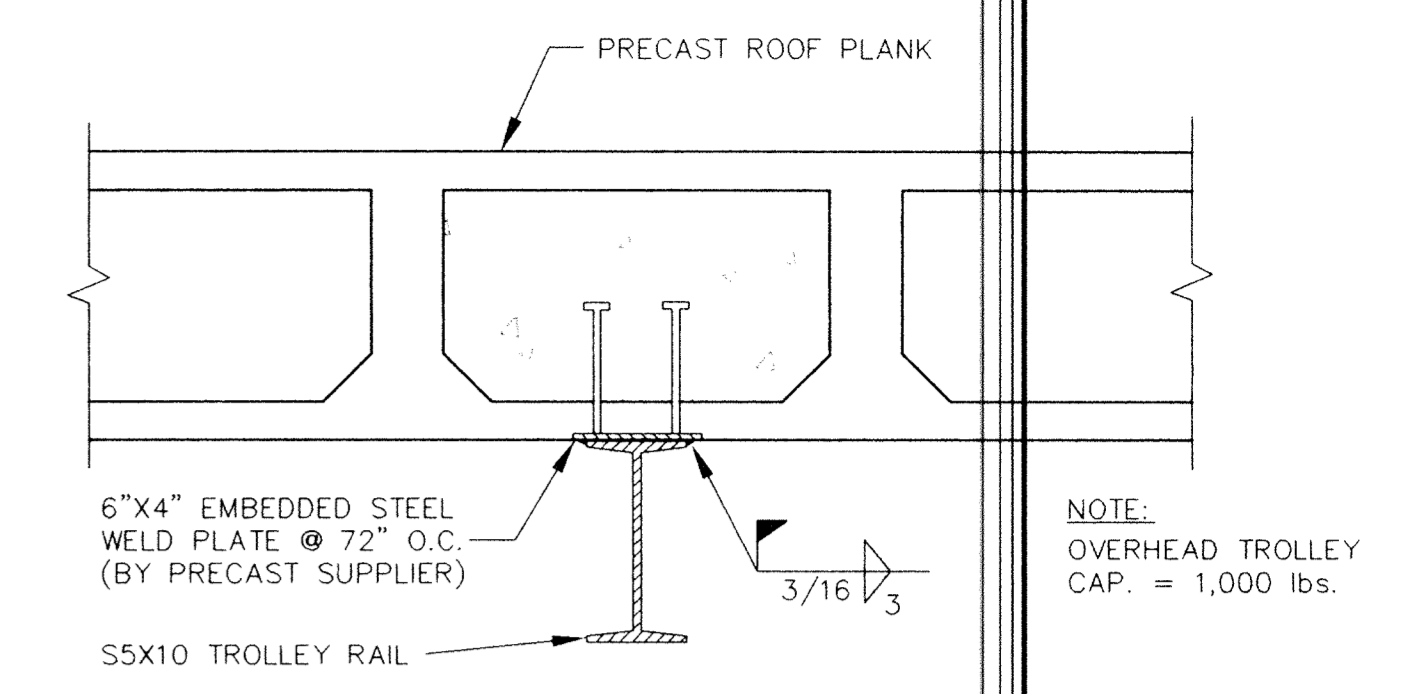
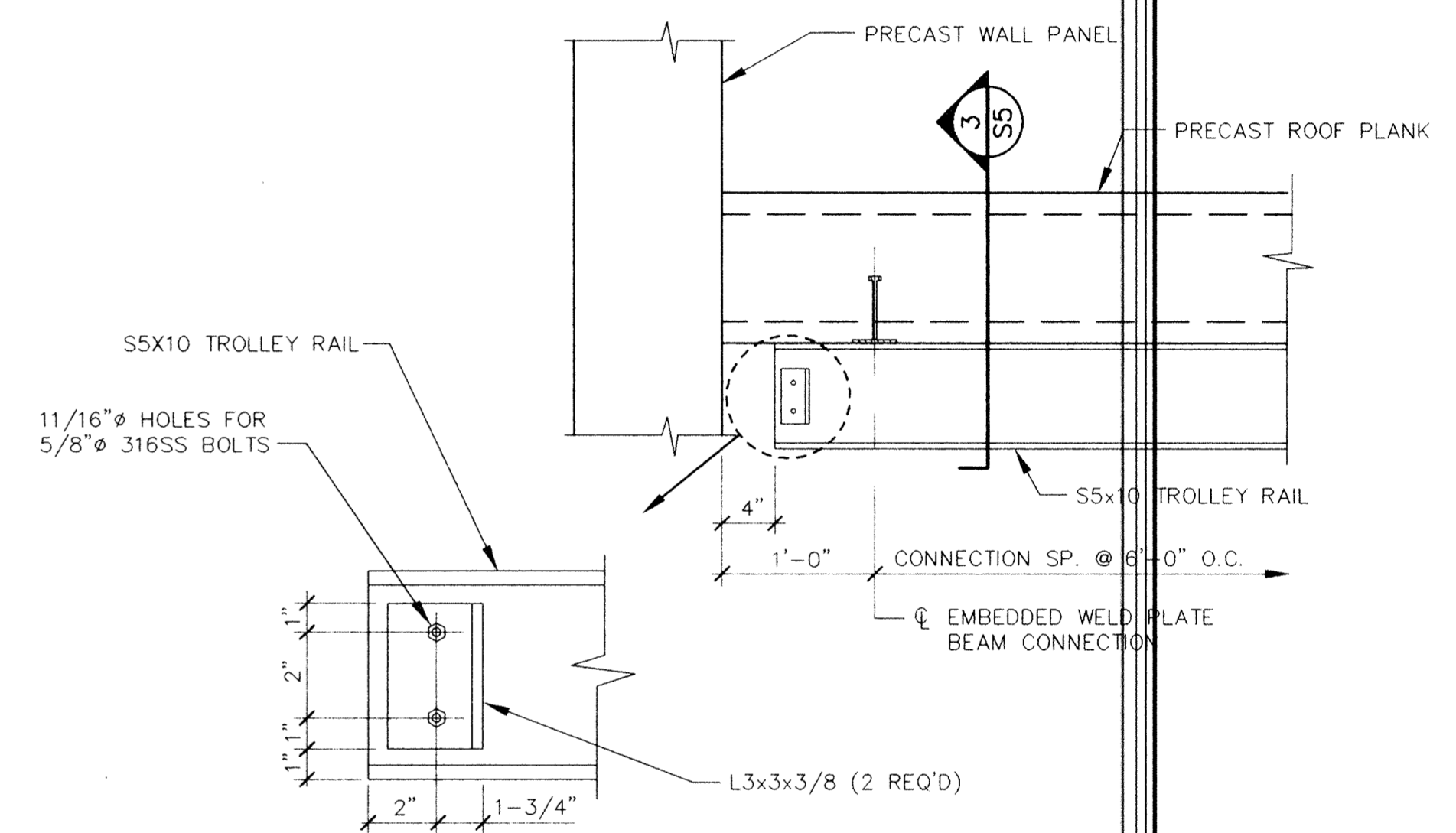


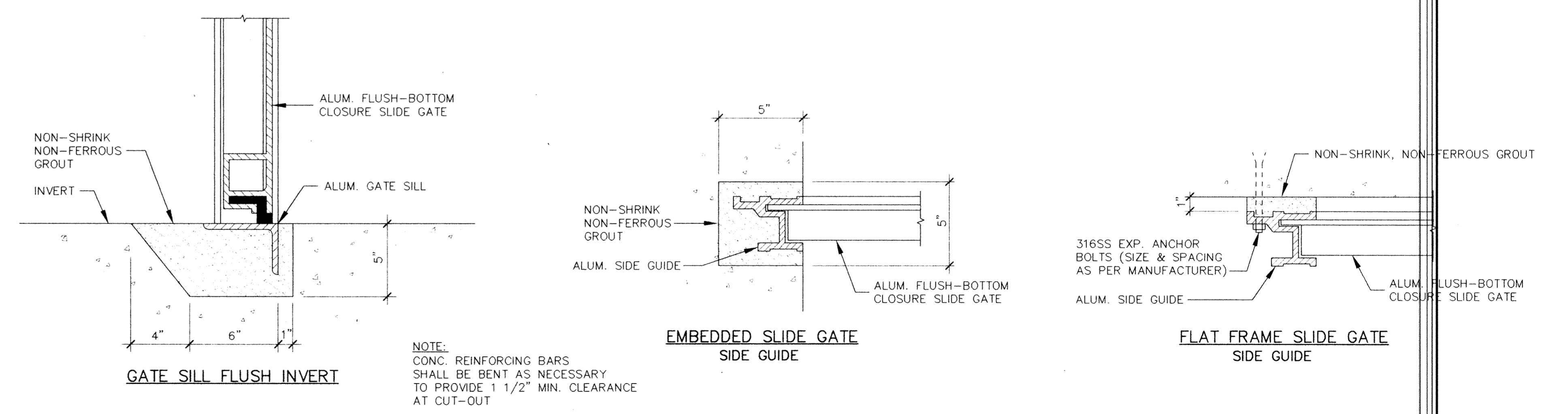
TYPICAL SLUICE GATE DETAIL (1)
No Scale S5



TYPICAL TROLLEY SUPPORT DETAIL (3)
Scale: 1-1/2" = 1'-0" S5



TYPICAL TROLLEY BUMPER DETAIL (4)
Scale: 1" = 1'-0" TYPICAL EACH END S5



TYPICAL SLIDE GATE DETAIL (2)
No Scale S5

I HEREBY CERTIFY THAT THIS PLAN, SPECIFICATION, OR REPORT WAS PREPARED BY ME OR UNDER MY DIRECT SUPERVISION AND THAT I AM A DULY REGISTERED PROFESSIONAL ENGINEER UNDER THE LAWS OF THE STATE OF MINNESOTA. <i>David K. Combs</i> DATE: 3/21/94 REG. NO. 22222		1326 ENERGY PARK DRIVE ST. PAUL, MINNESOTA 55108 (612) 644-4389 9800 SHELARD PARKWAY MINNEAPOLIS, MINNESOTA 55441 (612) 546-0432	DATE	DESCRIPTION	DESIGNED DLG/GG	CITY OF ELK RIVER WASTEWATER TREATMENT FACILITIES TRICKLING FILTER PUMP STATION STRUCTURAL DETAILS	S5
			REVISIONS CHECKED L.J.L. DRAWN GG GRAPHIC SCALE 0 HORIZ. 1.33 0 VERT. 1.33	DATE DEC. 1993	SHEET 12 OF 41 SHEETS		

Sat. Feb. 26 11:11:41 1994