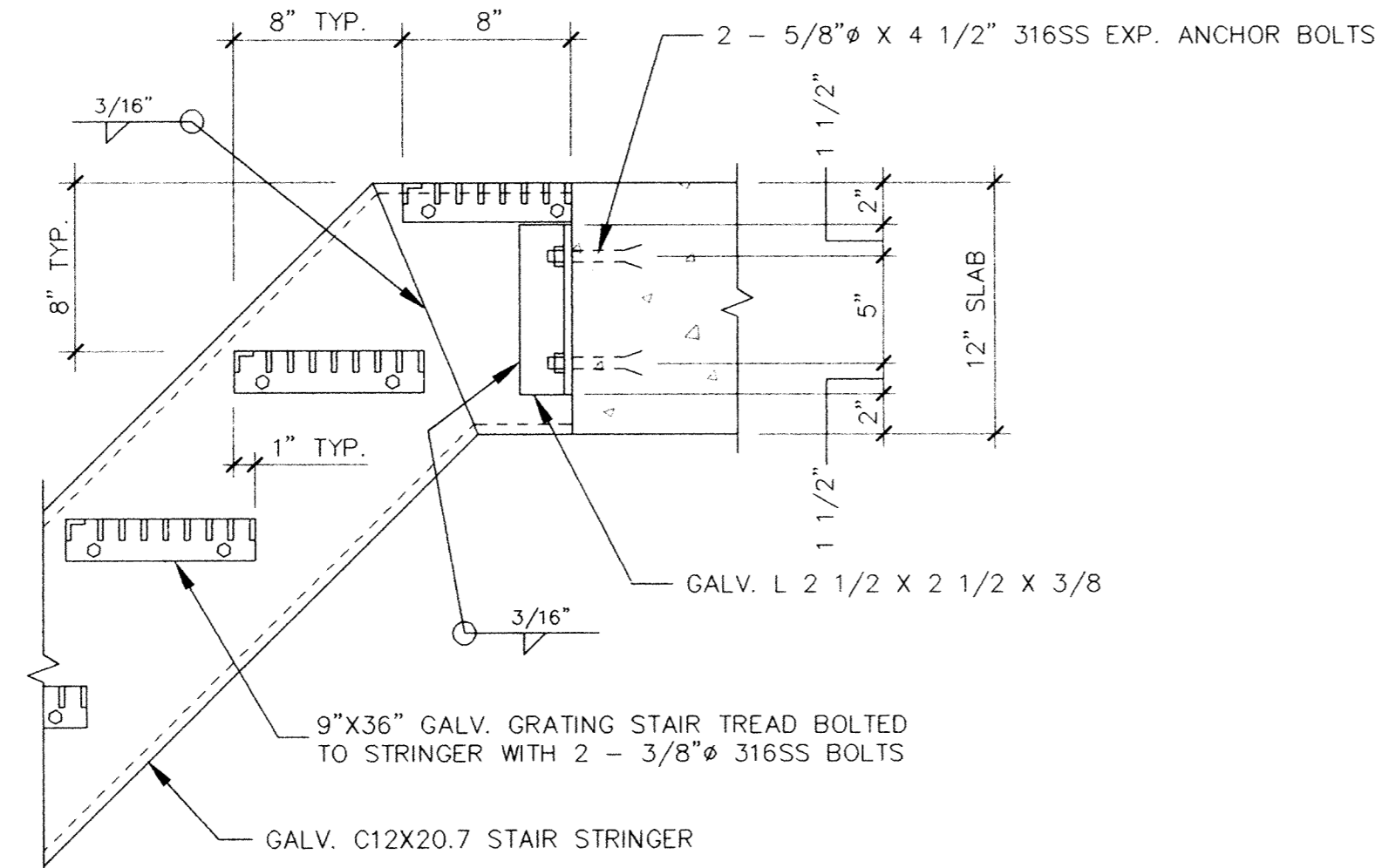
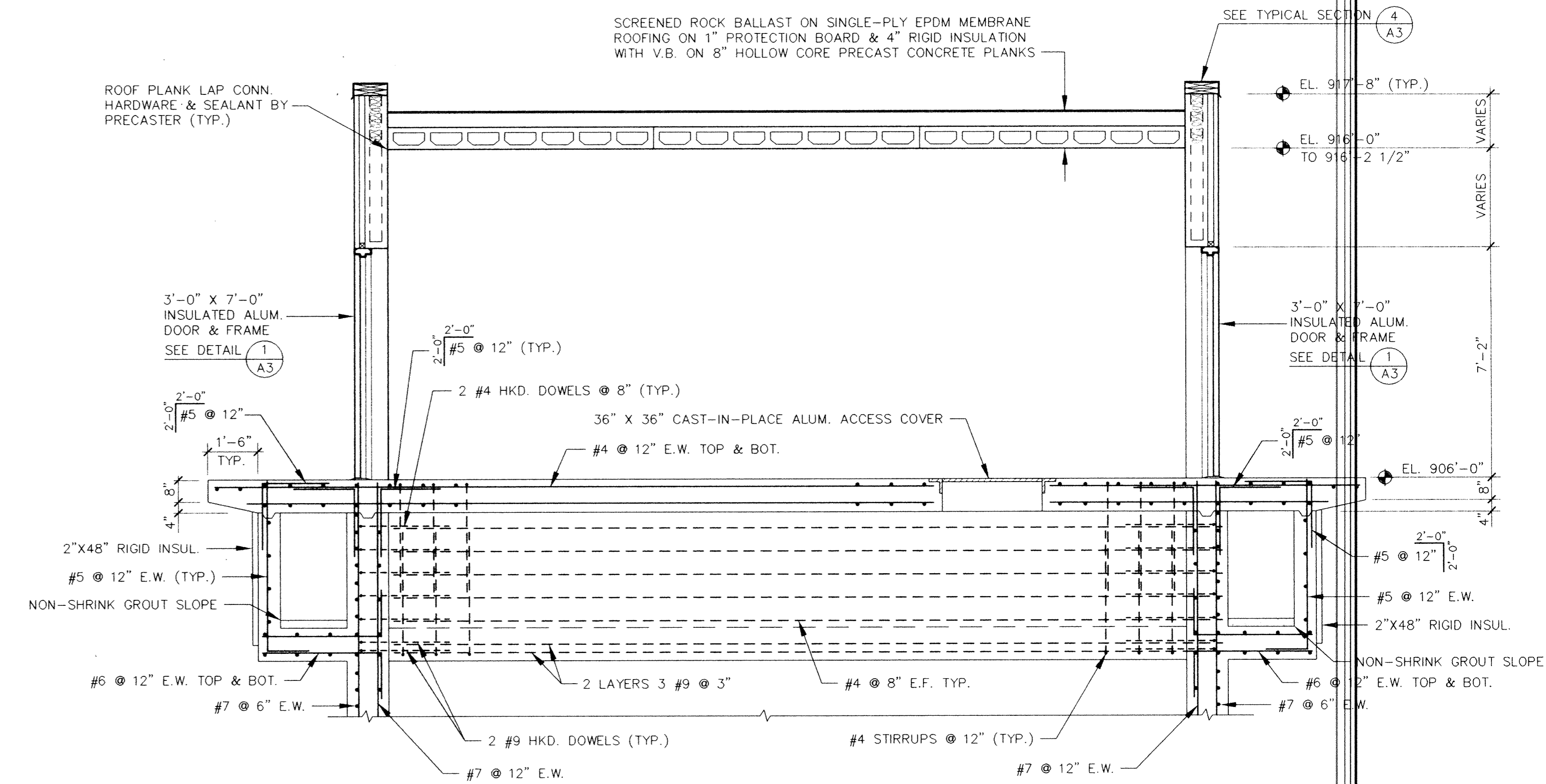


**SECTION 5**  
Scale: 3/8" = 1'-0" S4

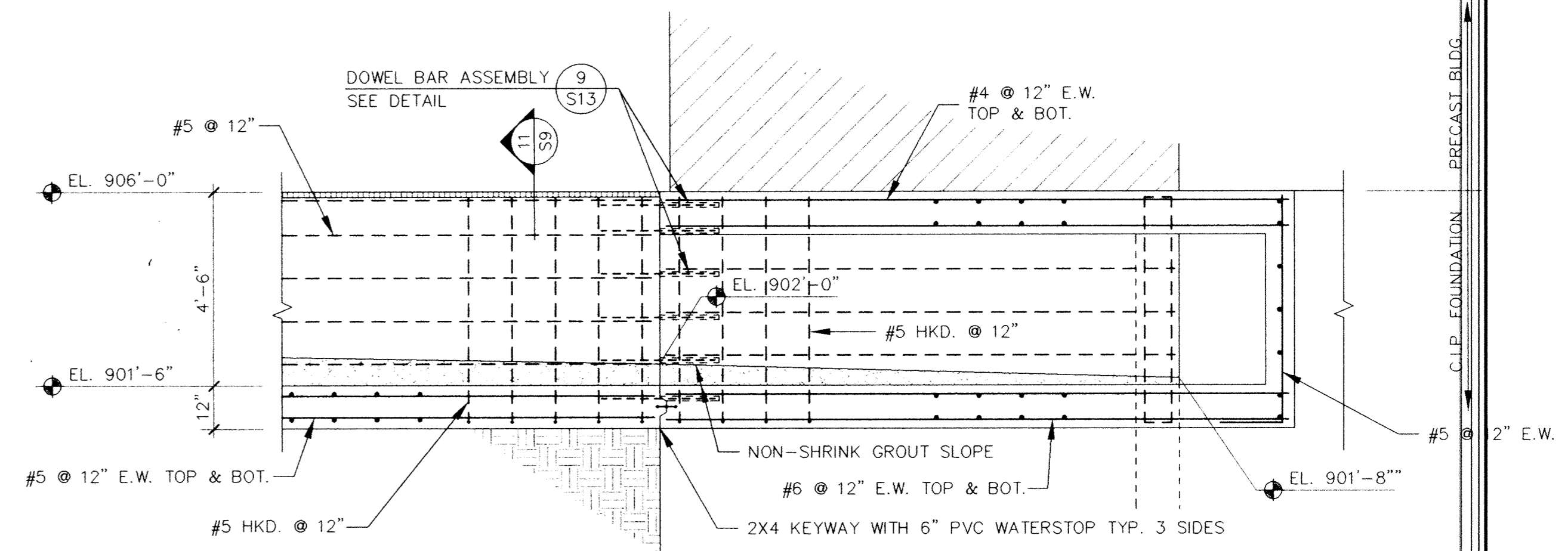
NOTE:  
SEE SUBMERSIBLE PUMP MANUFACTURER REQUIREMENTS FOR GROUT SLOPE IN WET WELL. GROUT SHALL BE TAPERED TO ALLOW CLEAR FLOW THRU SLUICE GATE AS DIRECTED BY THE ENGINEER.



**STAIR STRINGER CONNECTION DETAIL 8**  
Scale: 1 1/2" = 1'-0" S4



**SECTION 6**  
Scale: 3/8" = 1'-0" S4



**SECTION 7**  
Scale: 3/8" = 1'-0" S4

NOTE:  
SEE SHEET S13 FOR TYPICAL STRUCTURAL DETAILS.

I HEREBY CERTIFY THAT THIS PLAN, SPECIFICATION, OR REPORT WAS PREPARED BY ME OR UNDER MY DIRECT SUPERVISION AND THAT I AM A DULY REGISTERED PROFESSIONAL ENGINEER UNDER THE LAWS OF THE STATE OF MINNESOTA.  
*David A. Cappel*  
DATE: 3/27/94 REG. NO. 22222



1326 ENERGY PARK DRIVE  
ST. PAUL, MINNESOTA 55108  
(612) 644-4389  
  
9800 SHELARD PARKWAY  
MINNEAPOLIS, MINNESOTA 55441  
(612) 546-0432

DATE	DESCRIPTION	DESIGNED DLG GG
		CHECKED LUL
		DRAWN GG
GRAPHIC SCALE		
0	HORIZ. 2.67	
0	VERT. 2.67	

CITY OF ELK RIVER  
WASTEWATER TREATMENT FACILITIES  
TRICKLING FILTER PUMP STATION  
STRUCTURAL SECTIONS

S4

DATE DEC. 1993 SHEET 11 OF 41 SHEETS PROJECT NO. 230-151