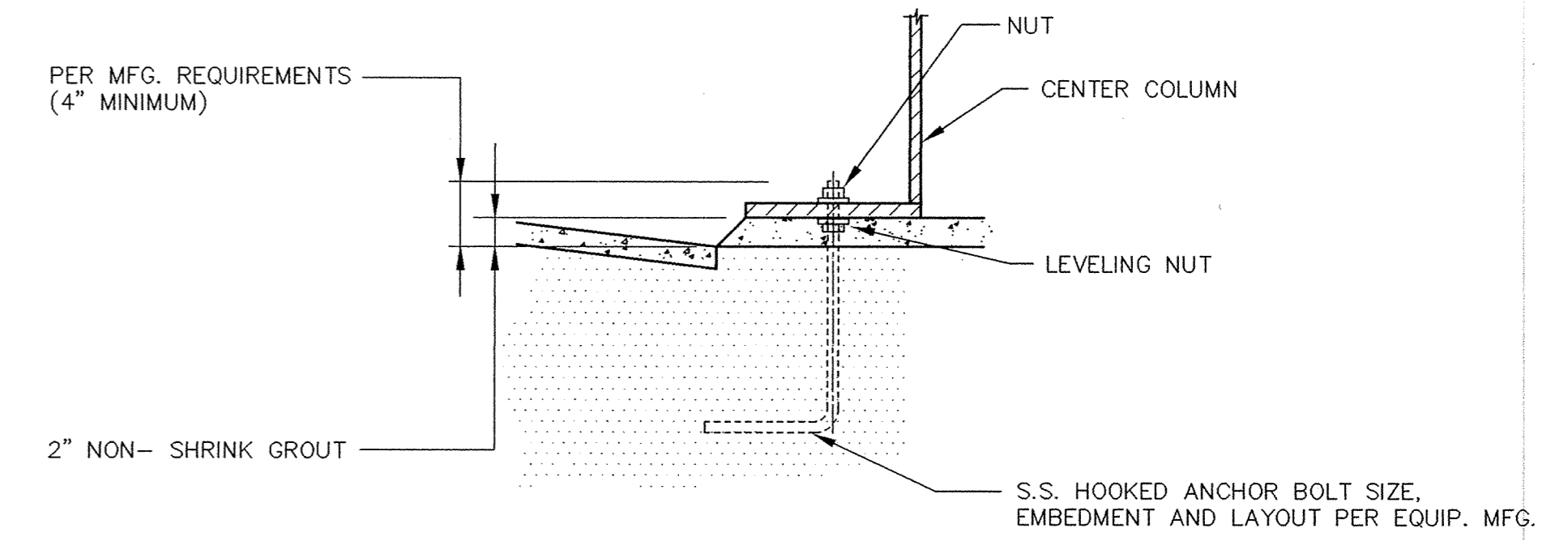
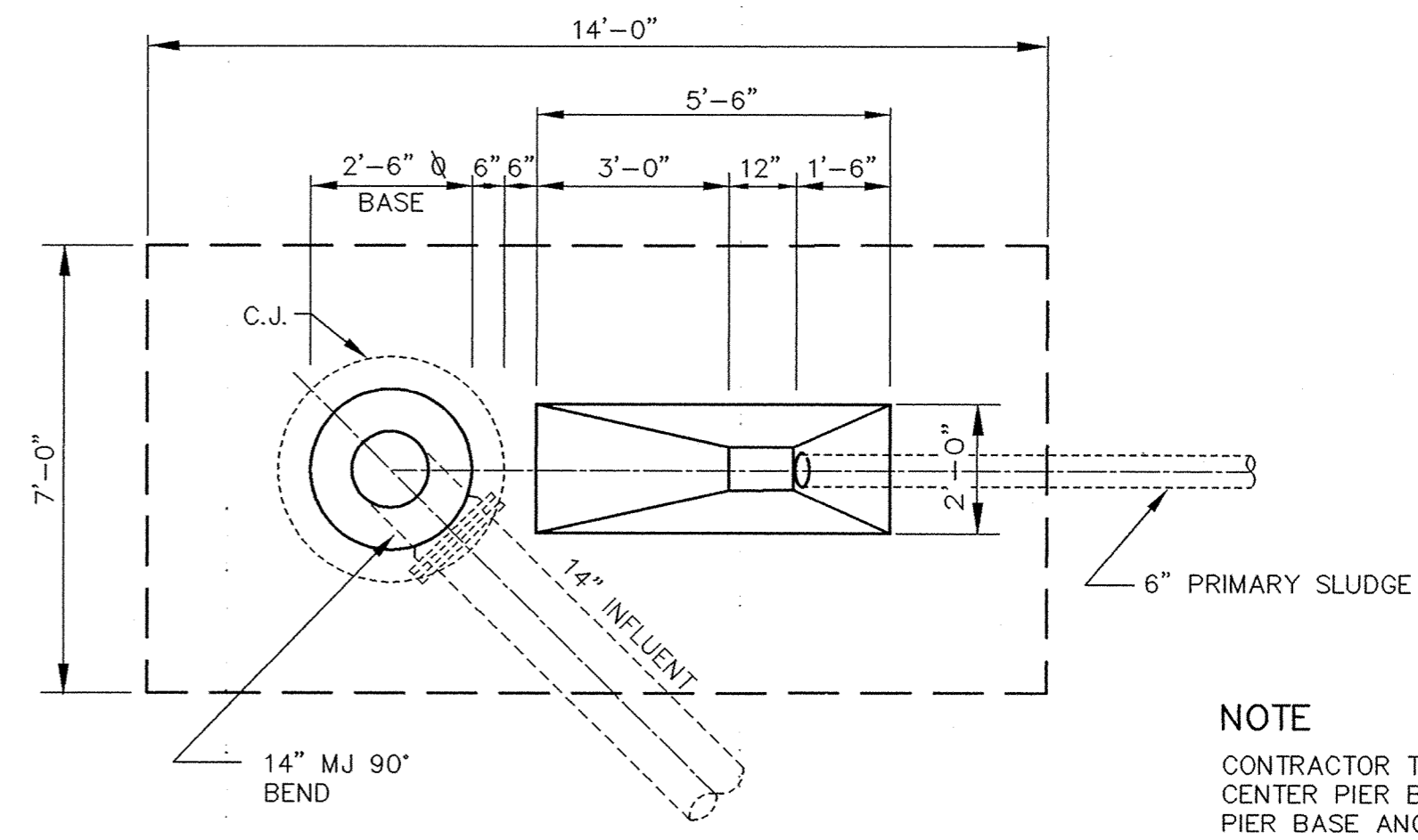


- NOTE**
1. HOOK REINF. DOWN TO CLEAR SLUDGE HOPPER 1".
 2. SEE SHEET P4 FOR WEIR & BAFFLE PLATE DETAILS.
 3. COORDINATE W/ CLARIFIER MANUFACTURER TO DETERMINE WALKWAY BRIDGE S.S. HOOK CONCRETE ANCHOR BOLTS SIZE AND SPACING AT BRIDGE BEARING SUPPORT. SEE PROCESS PLANS FOR SUPPORT DETAILS.



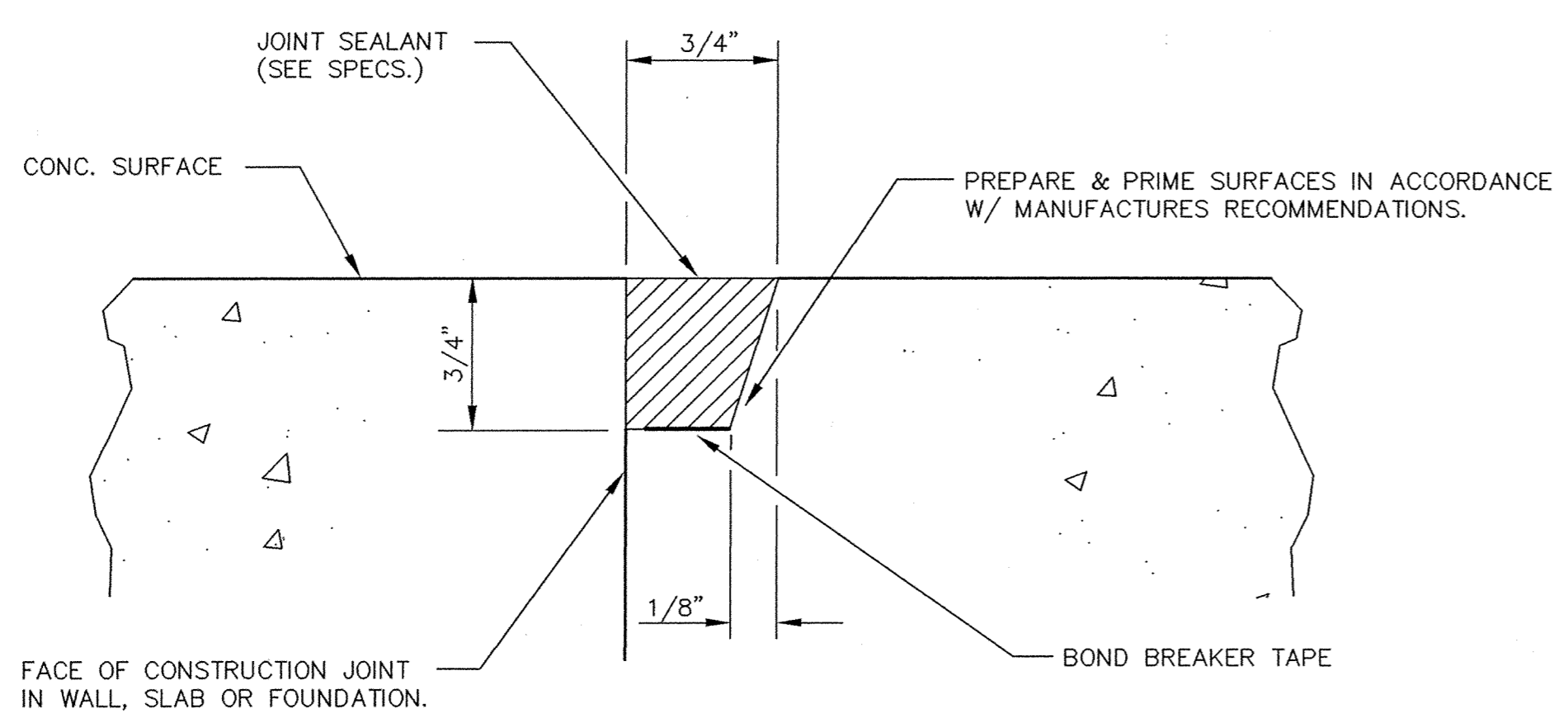
ANCHOR DETAIL (1)
N.T.S. (S7)



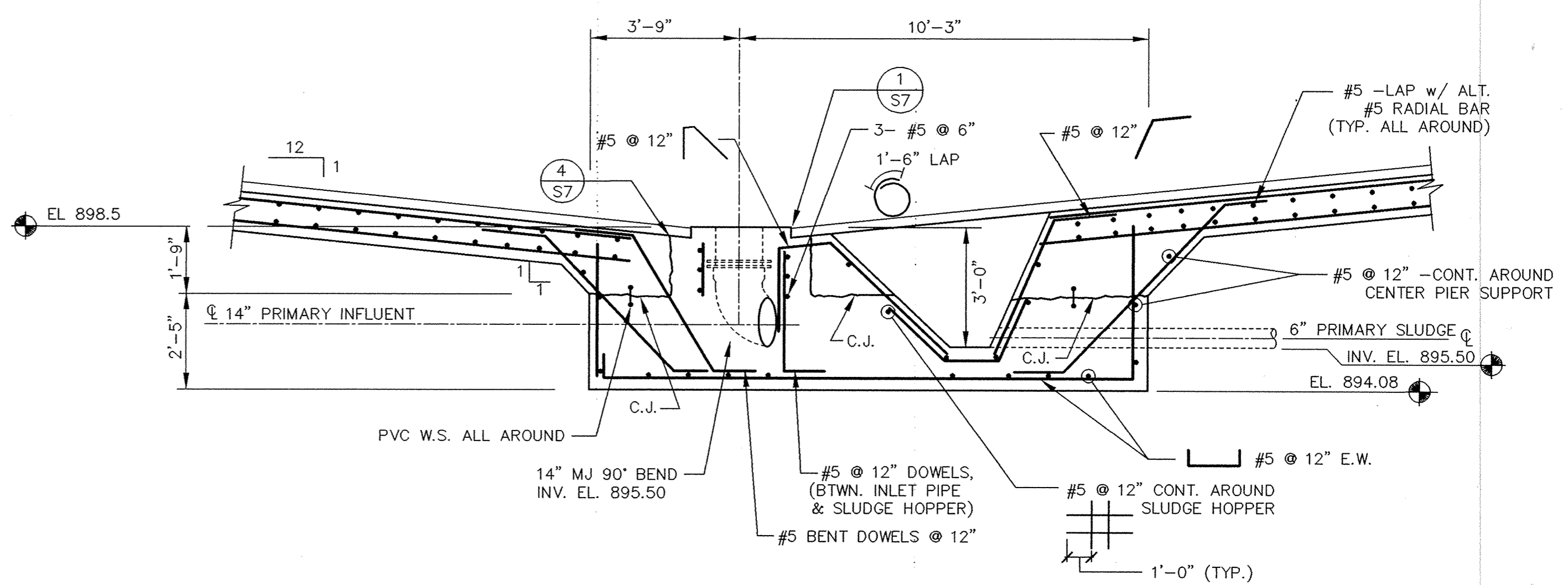
- NOTE**
- CONTRACTOR TO VERIFY DEPTH, CENTER PIER BASE SIZE AND CENTER PIER BASE ANCHORAGE W/ EQUIP. MFG.

SLUDGE HOPPER DETAIL (2)
Scale: 3/8" = 1'-0" (S7)

BOTTOM SLAB REINFORCING- PLAN
Scale: 1/4" = 1'-0"



SEALANT GROOVE CONSTR. JOINTS (4)
Not to Scale (S7)



CENTER PIER SUPPORT AND SLUDGE HOPPER DETAIL (3)
Scale: 3/8" = 1'-0" (S7)

I HEREBY CERTIFY THAT THIS PLAN, SPECIFICATION, OR REPORT WAS PREPARED BY ME OR UNDER MY DIRECT SUPERVISION AND THAT I AM A DULY REGISTERED PROFESSIONAL ENGINEER UNDER THE LAWS OF THE STATE OF MINNESOTA.

Daniel A. Cull
DATE 11/18/95 REG. NO. 20222



1326 ENERGY PARK DRIVE
ST. PAUL, MINNESOTA 55108
(612) 644-4389

9800 SHELARD PARKWAY
MINNEAPOLIS, MINNESOTA 55441
(612) 546-0432

DATE	DESCRIPTION	DESIGNED: DLG/GG
		CHECKED: TAR
		DRAWN: TB
		GRAPHIC SCALE
		0 HORIZ. 2.67
		0 VERT. 2.67

CITY OF ELK RIVER
WASTEWATER TREATMENT FACILITY UPGRADE
PRIMARY CLARIFIER NO. 2
PLANS & DETAILS

DATE MAR. 1995 SHEET 27 OF 112 SHEETS PROJECT NO. 230-151

S7