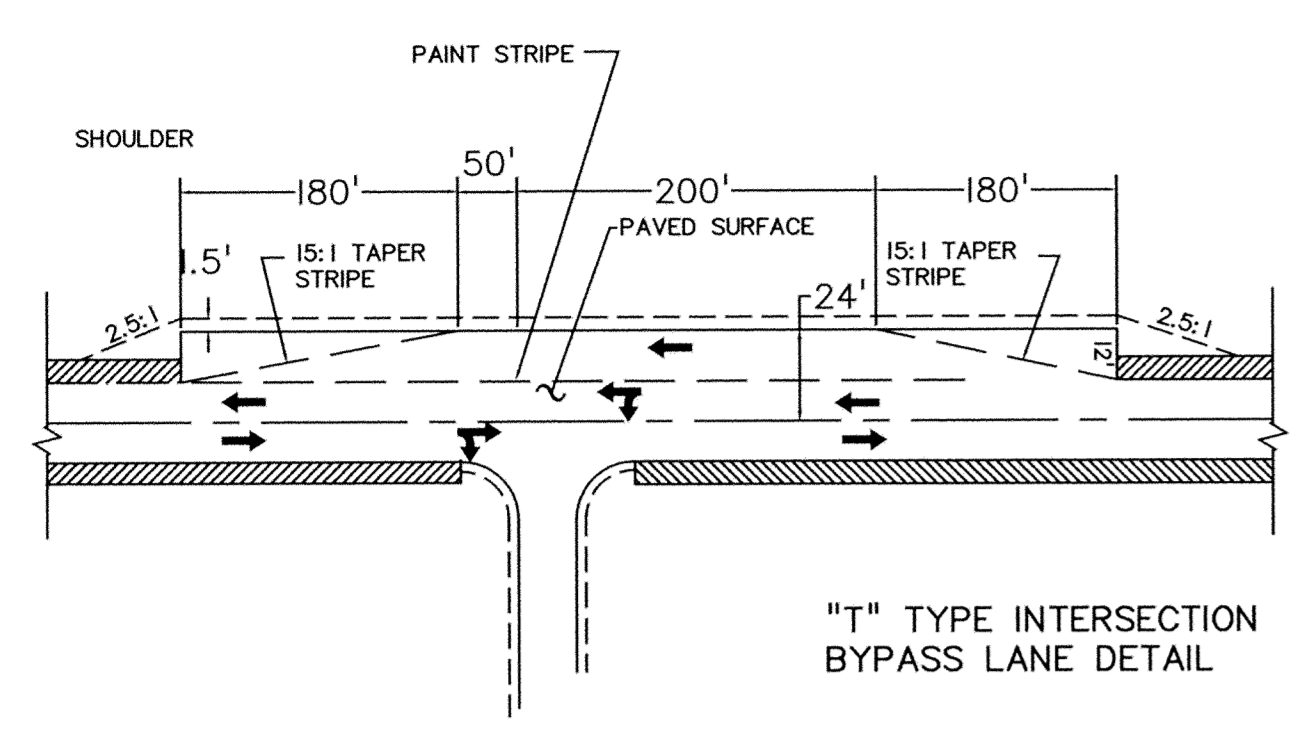
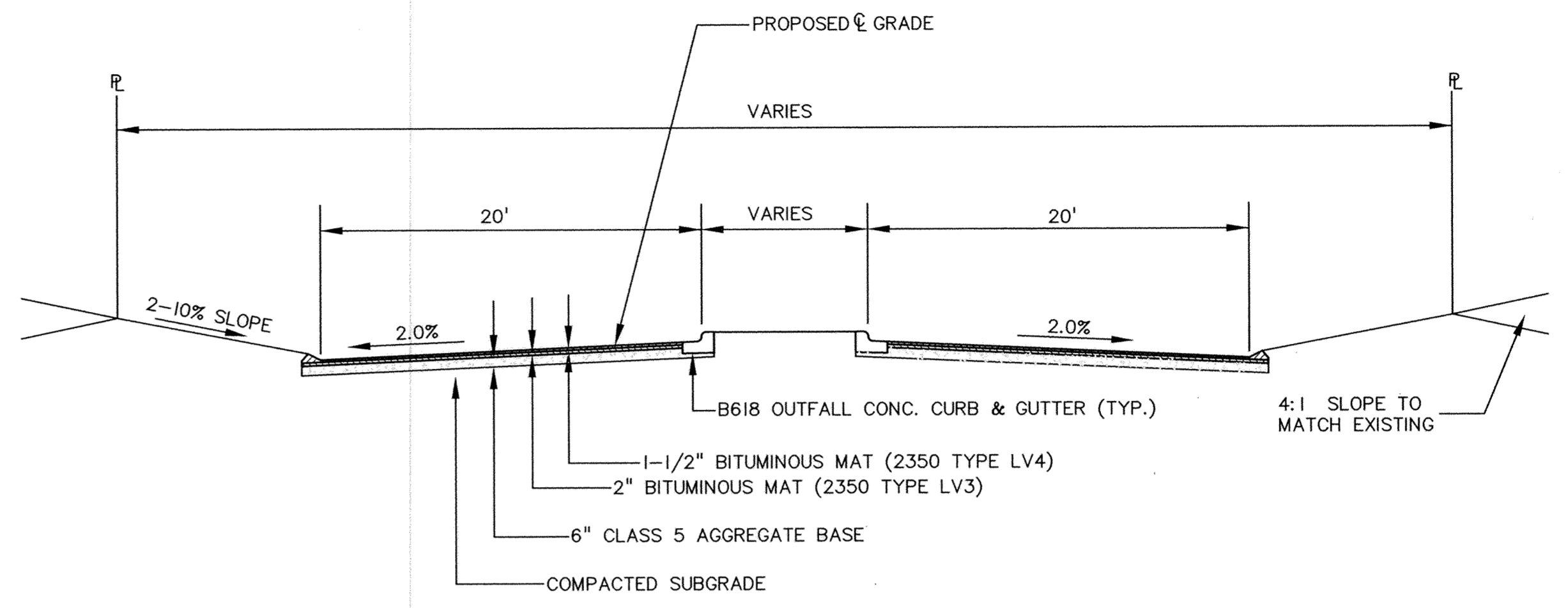
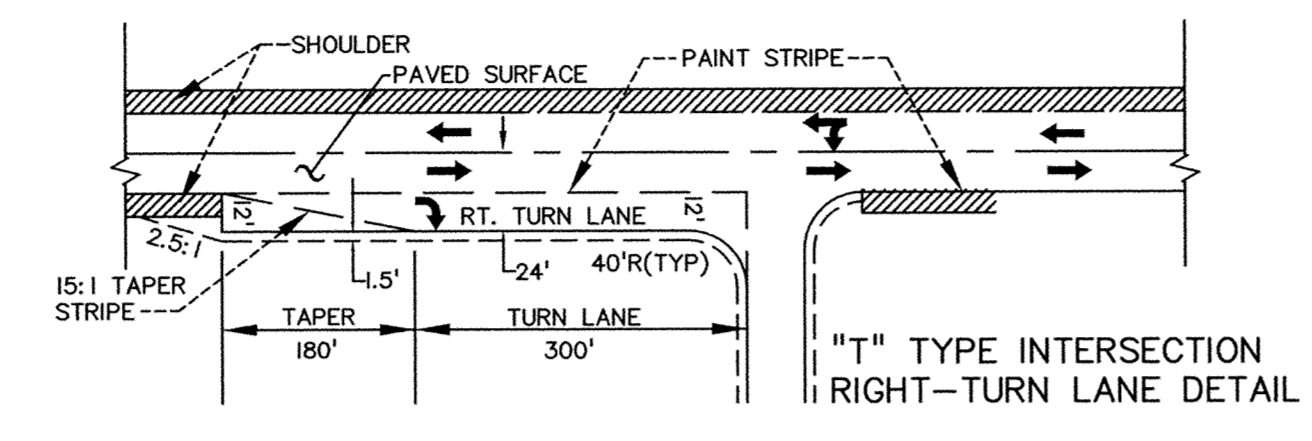


RECORD DRAWING

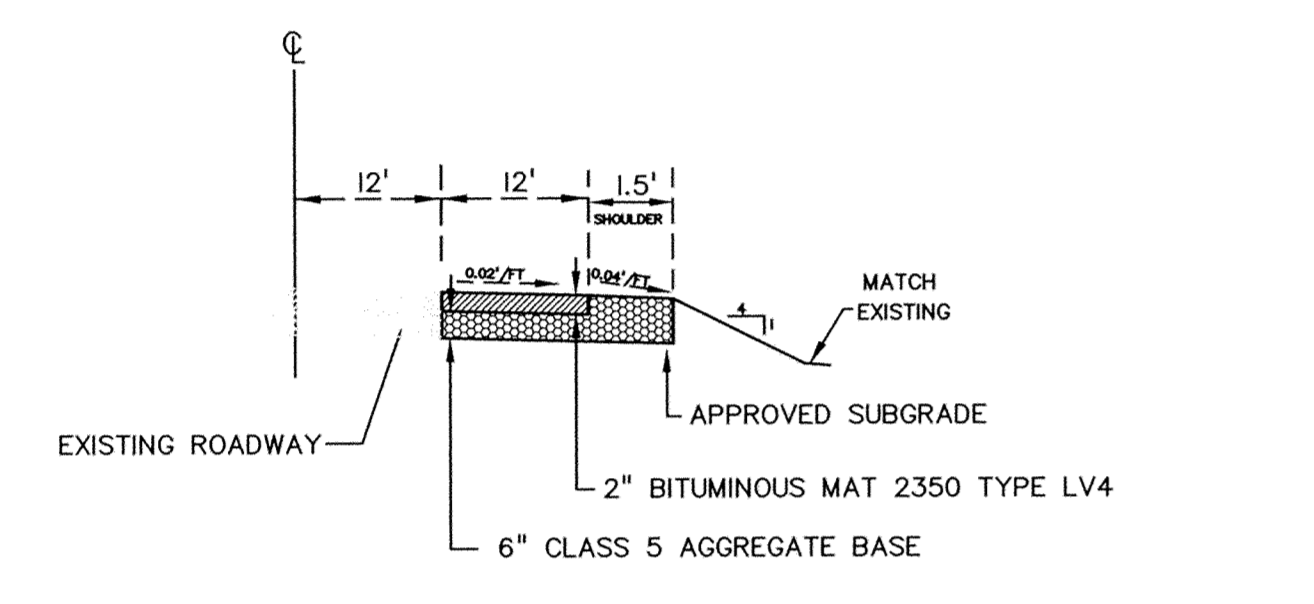
RECORD DRAWING	
MEASURED BY:	LH @ BPA
INSPECTED BY:	R.N. @ H.R. GREEN
DATE:	6/02
DRAWN BY:	CCO, GB, PG @ BPA



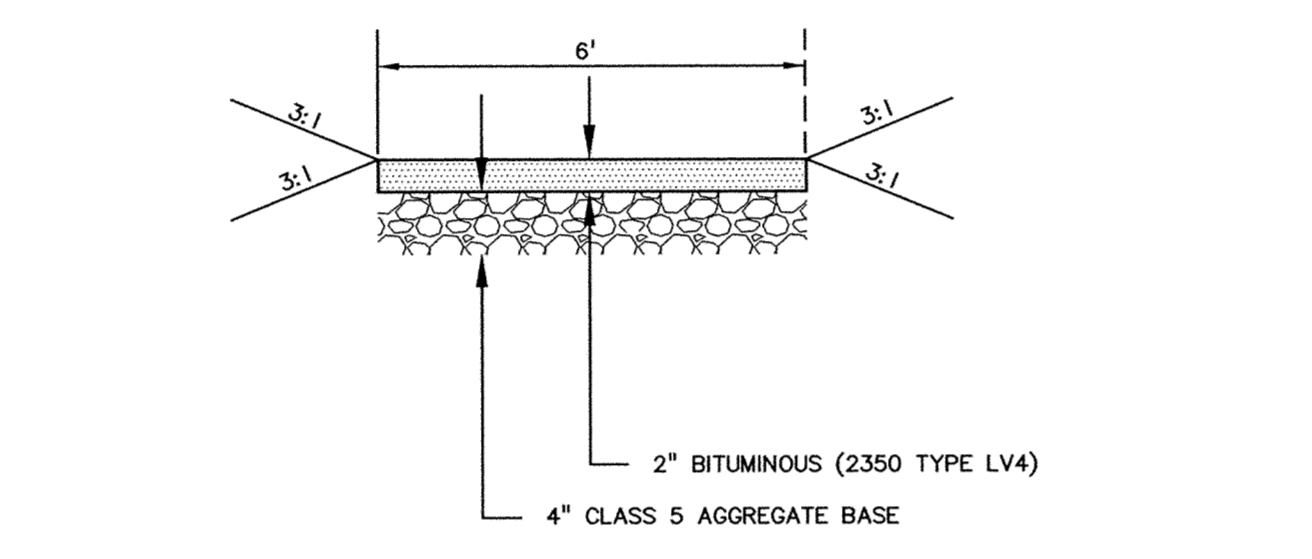
TYPICAL LEFT TURN BYPASS LANE



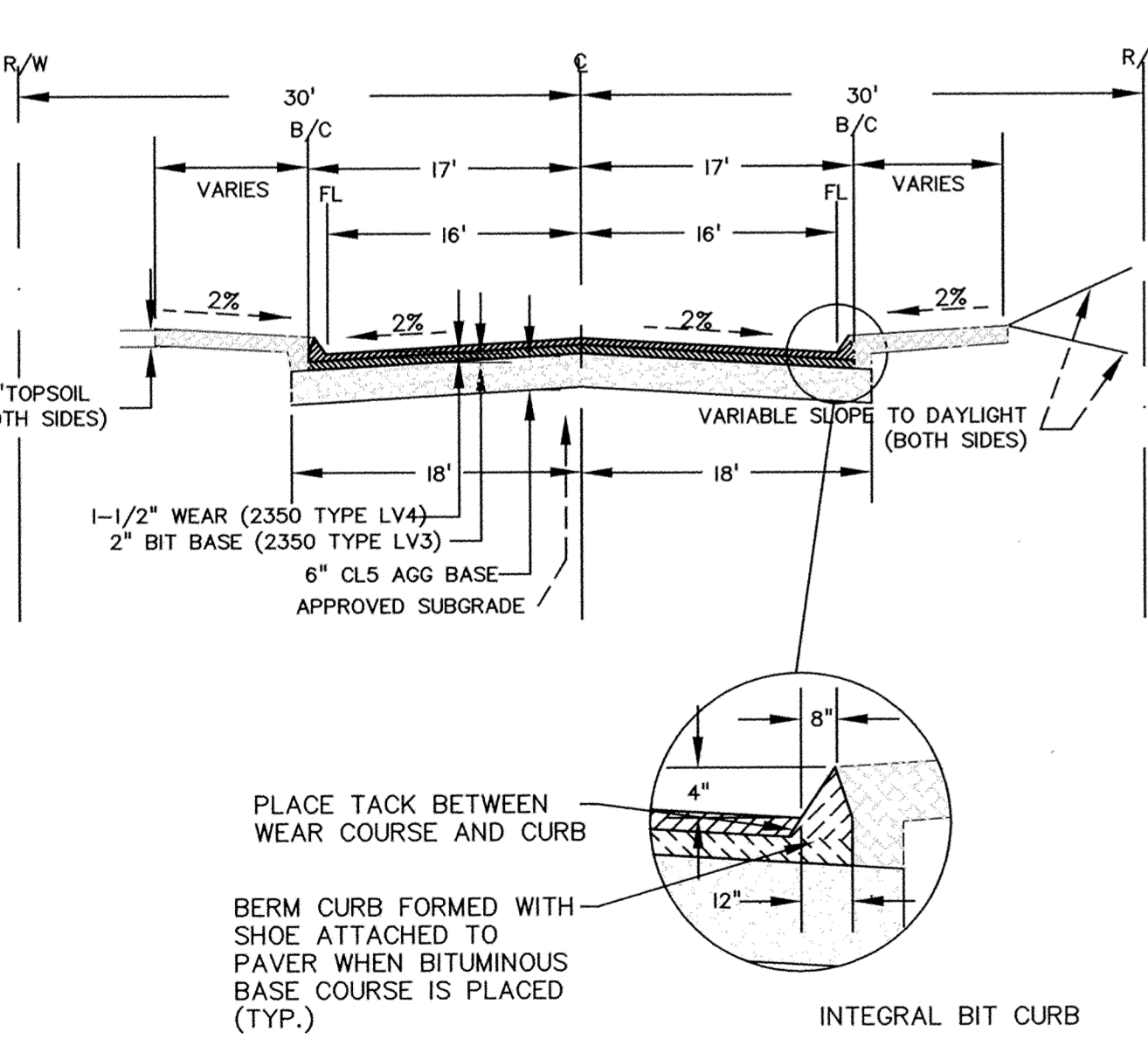
TYPICAL RIGHT-TURN LANE



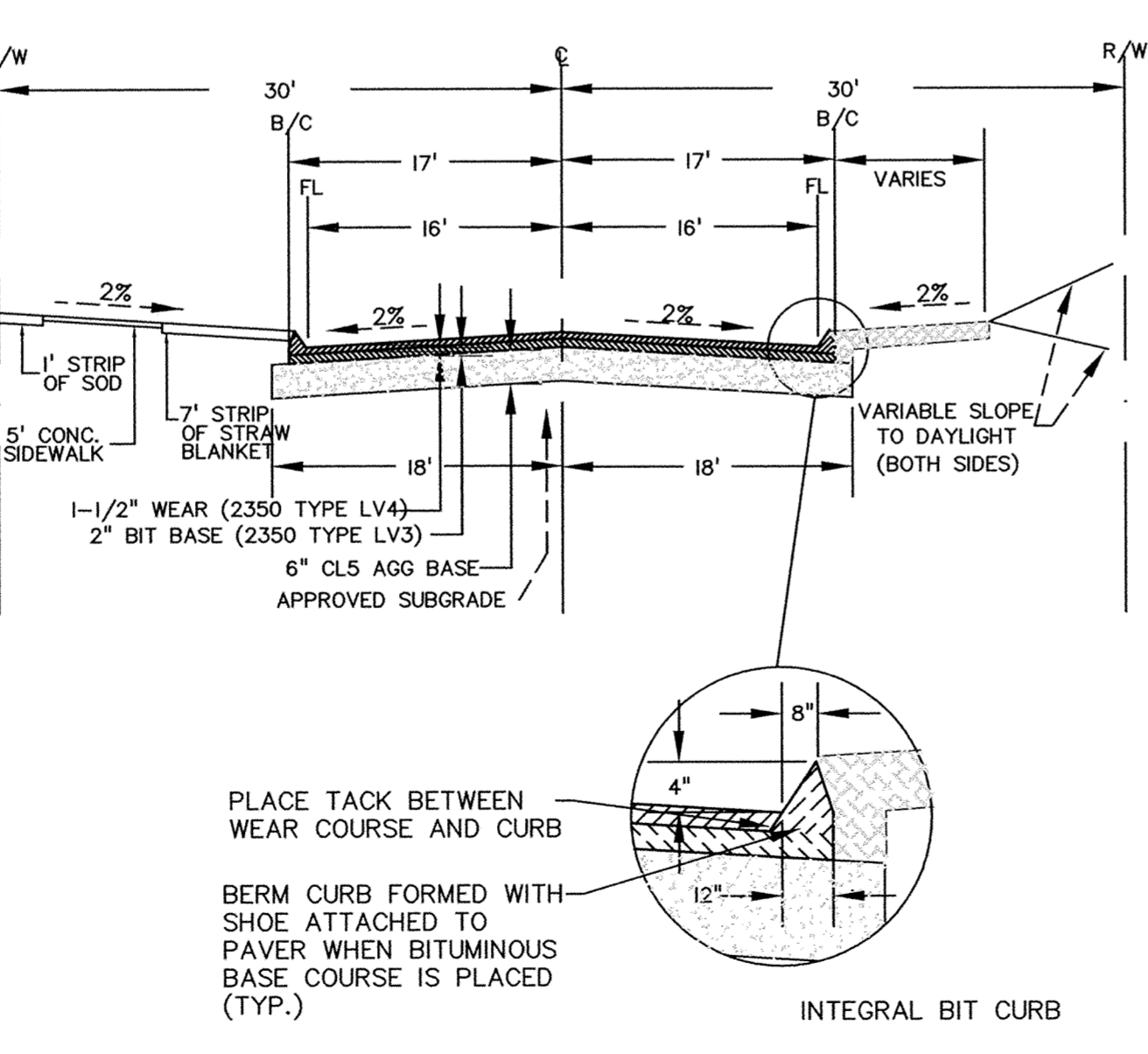
COUNTY ROAD RIGHT TURN AND BYPASS LANE PAVEMENT SECTION NOT TO SCALE



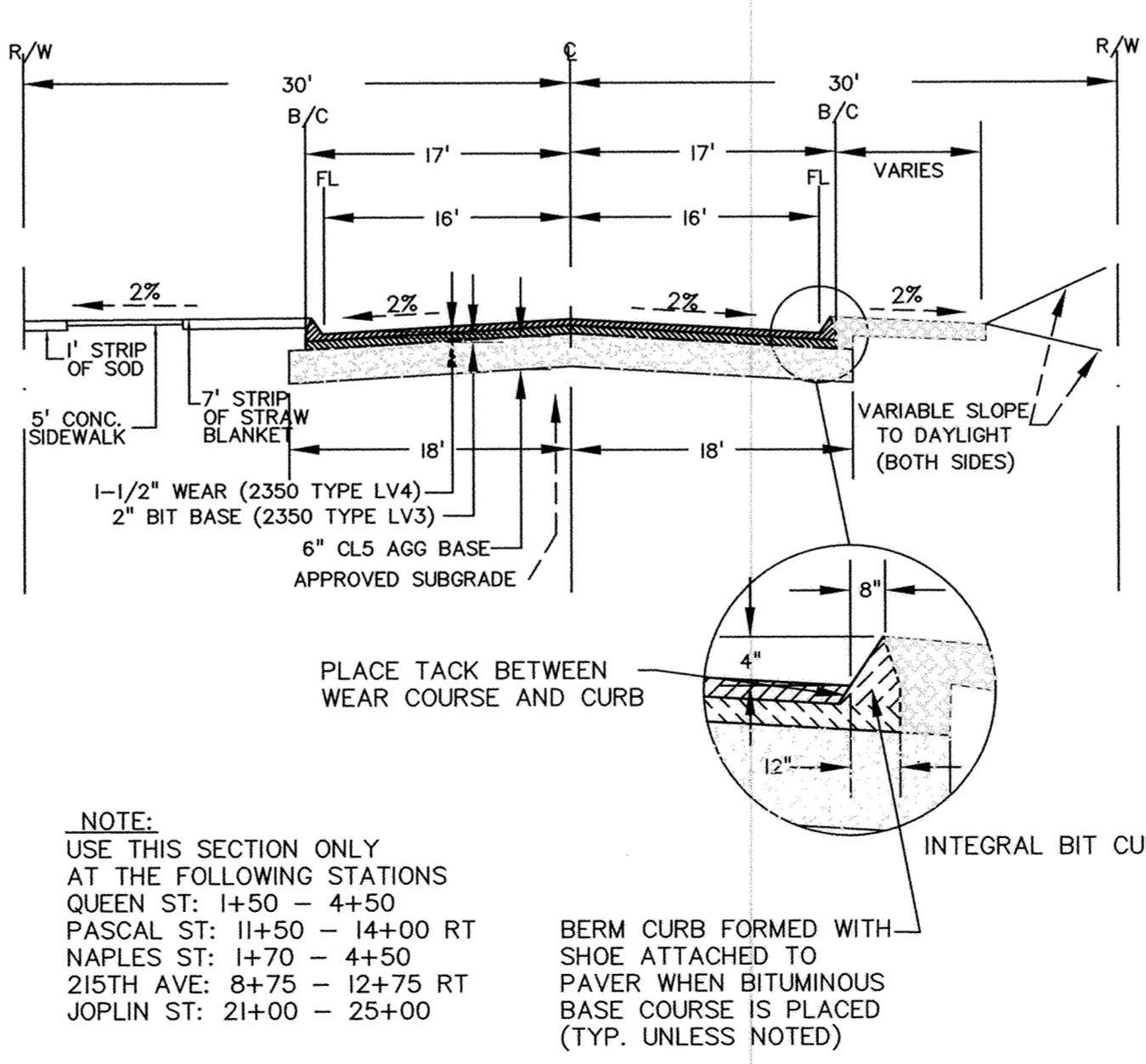
TYPICAL BITUMINOUS TRAIL SECTION



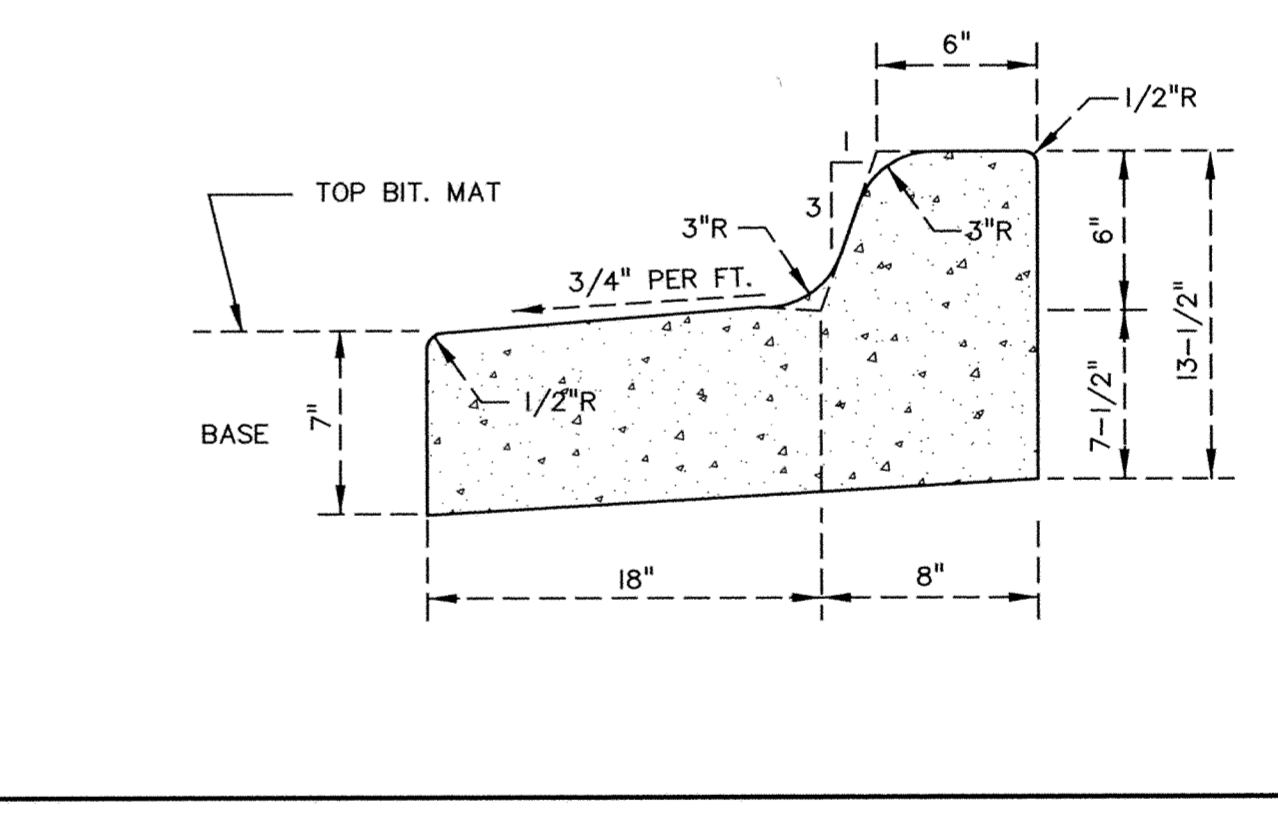
ROADWAY SECTION



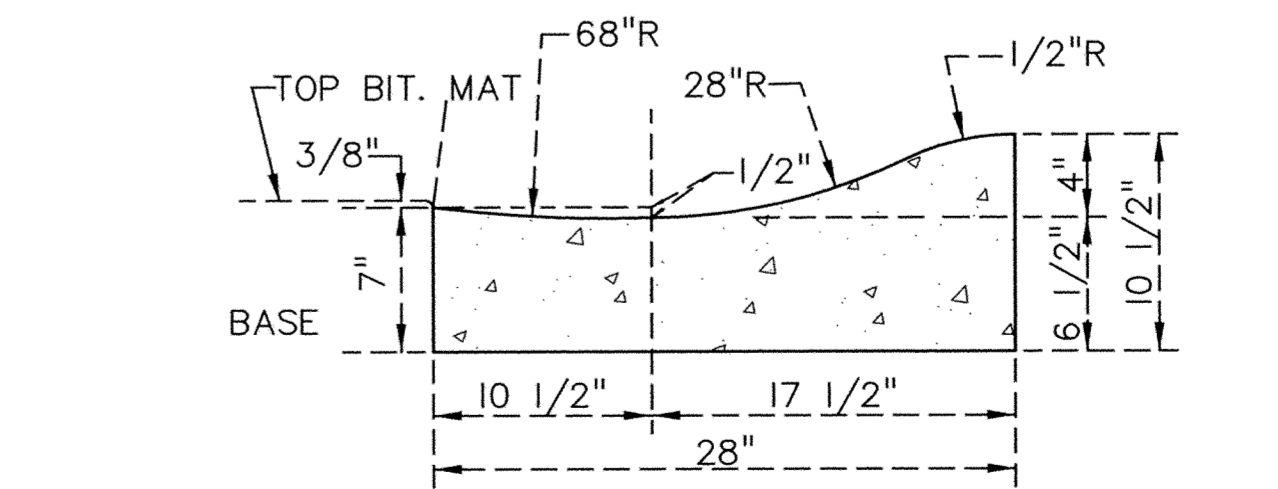
ROADWAY SECTION WITH SIDEWALK



ROADWAY SECTION WITH SIDEWALK



B618 OUTFALL CONCRETE CURB & GUTTER



MOUNTABLE CONCRETE CURB & GUTTER

REV. NO.	DATE	DESCRIPTION
1	6/24/02	CHANGES PER CITY ENGINEER
2	8/7/02	LOWERED GRADE
3	8/6/02	21" HDPE CHANGED TO 24" HDPE
4	8/7/02	ASPHALT
5	1/31/05	UPDATED ASPHALTS

DATE: 3/27/02
DESIGN BY: KB, PG, GB
DRAWN BY: PG, GB, CCO
CHECKED BY: CCO, JKB
DWG FILE: 13_DETAILS
FILE NO: 101304-0

I hereby certify that this plan was prepared by me or under my direct supervision and that I am a duly Licensed Professional Engineer under the laws of the State of Minnesota.
Signed: [Signature]
Date: 3/16/02 Reg. No. 19900

BOGART, PEDERSON & ASSOCIATES, INC.
LAND SURVEYING
ENGINEERING
MAPPING
13076 FIRST STREET, BECKER, MN 55309-9322
TEL: 763-262-8822 FAX: 763-262-8814

WINDSOR PARK 3RD ADD.
CITY OF ELLIOTT RIVER, MN.
DYNAMICS DESIGN & LAND CO.
SHEET NO. 3