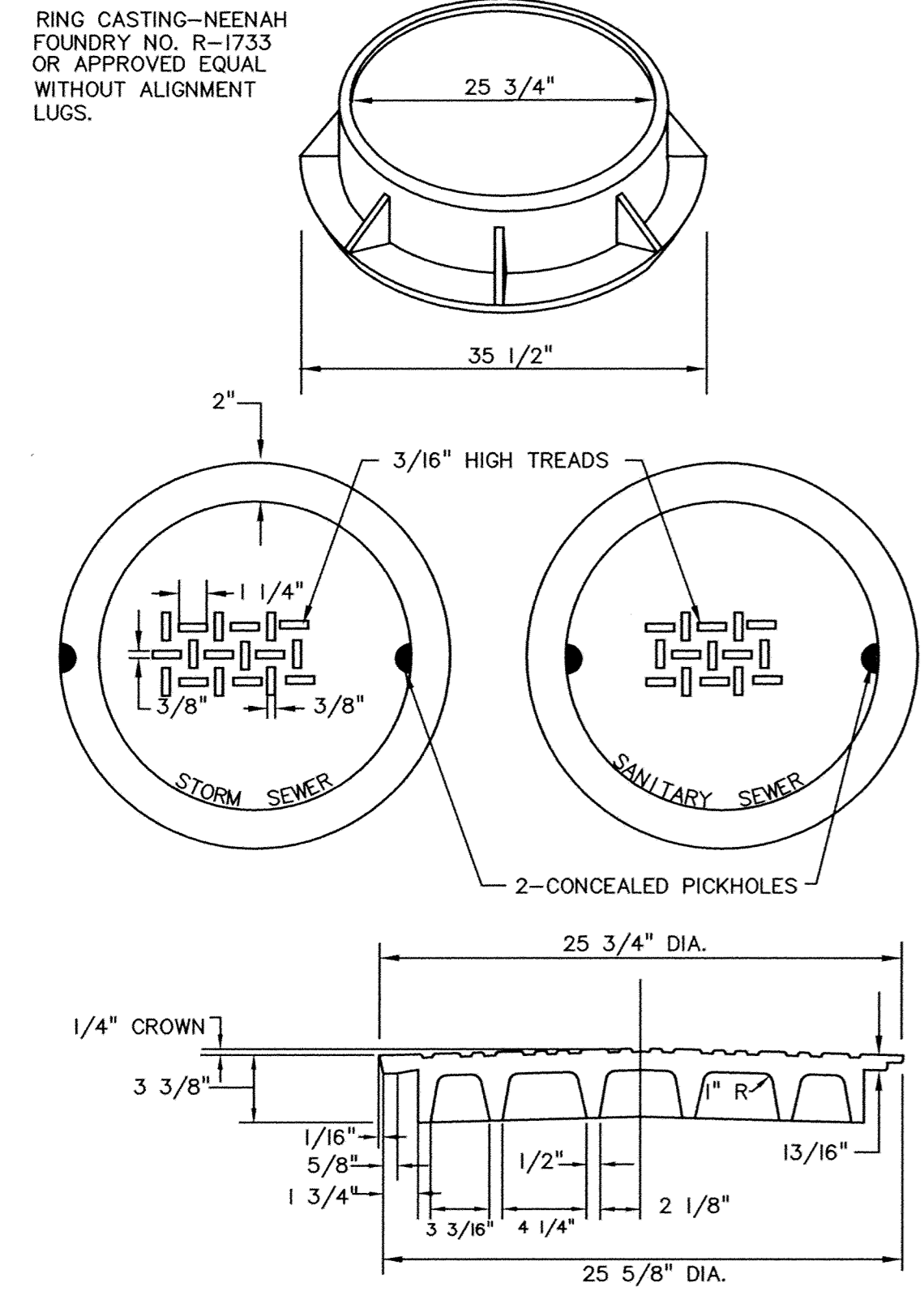
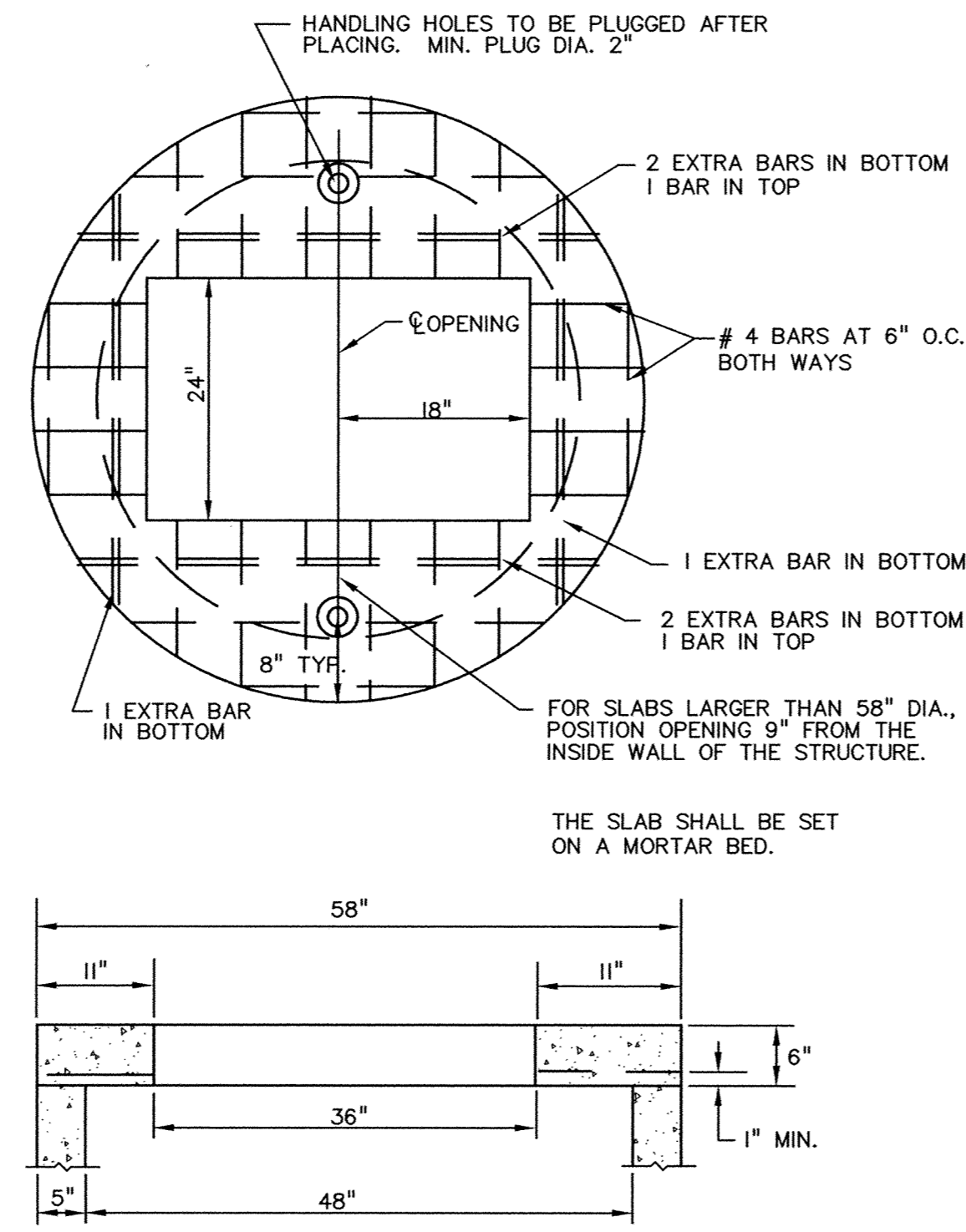


RECORD DRAWING
 MEASURED BY: LH © BPA
 INSPECTED BY R.N. © H.R. GREEN
 DATE 6/02
 DRAWN BY CCO, GB, PG © BPA

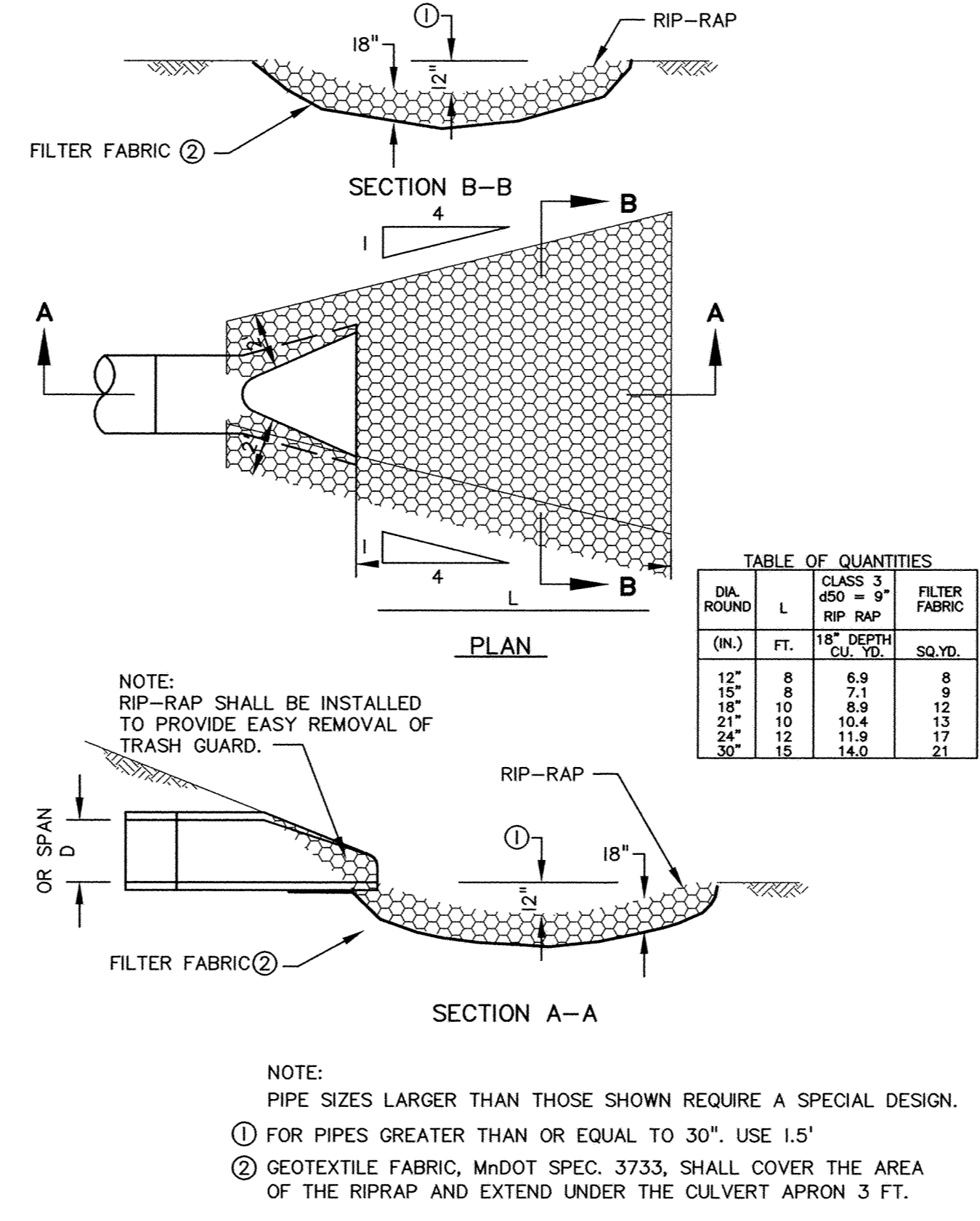


STANDARD MANHOLE CASTINGS

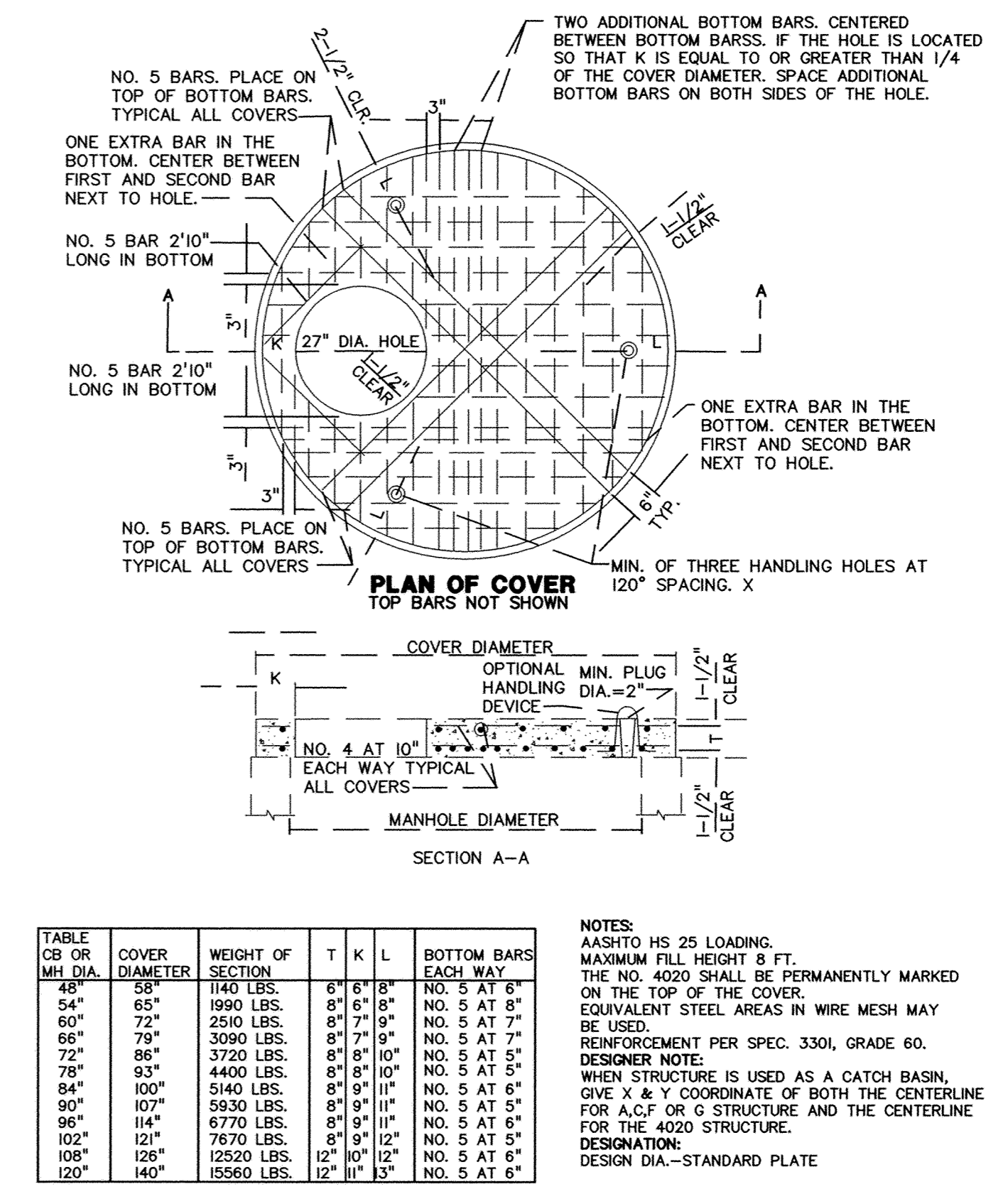
RECORD DRAWING



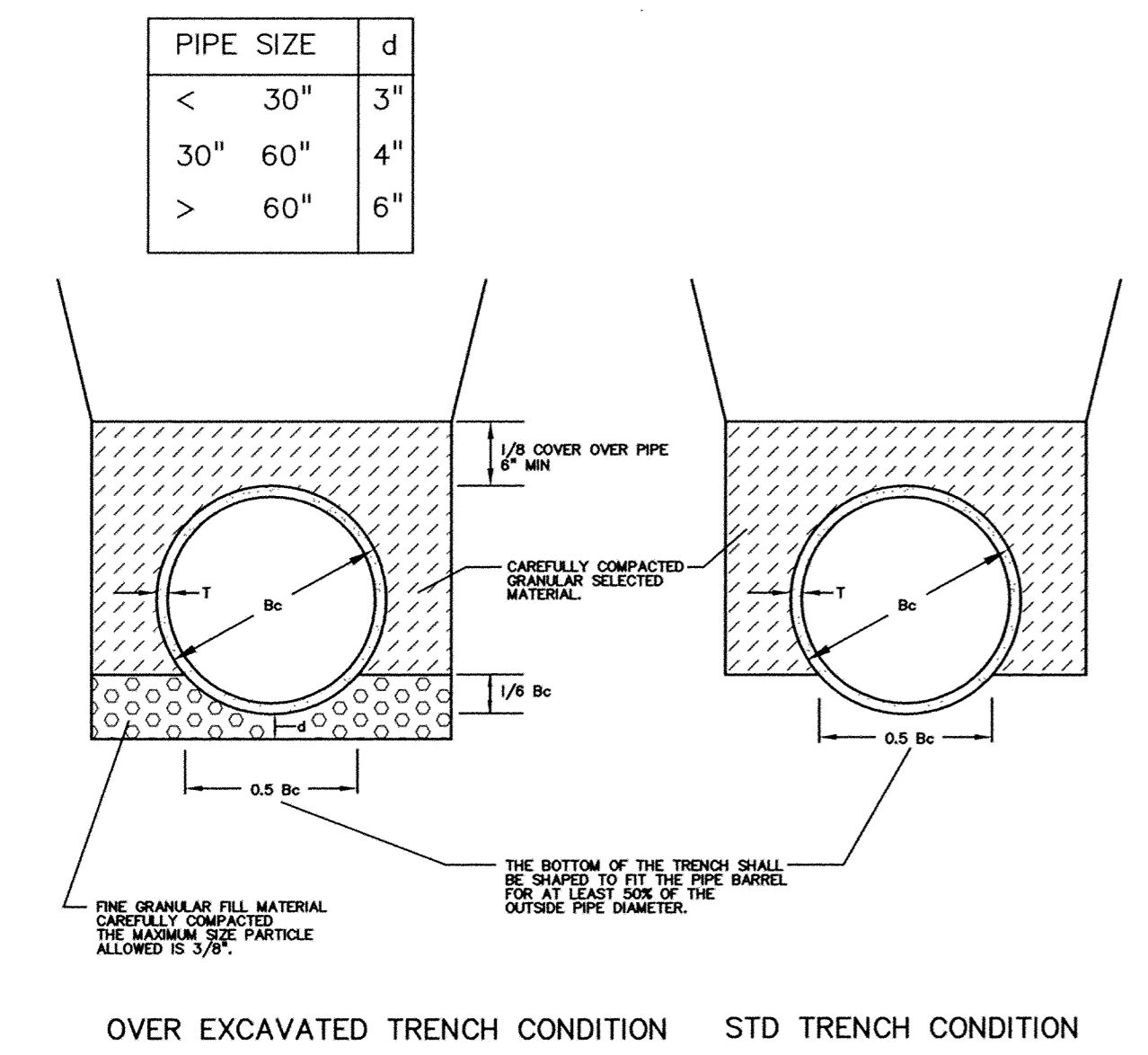
H.S. 20 DESIGN MANHOLE SLAB—TOP — RECTANGULAR



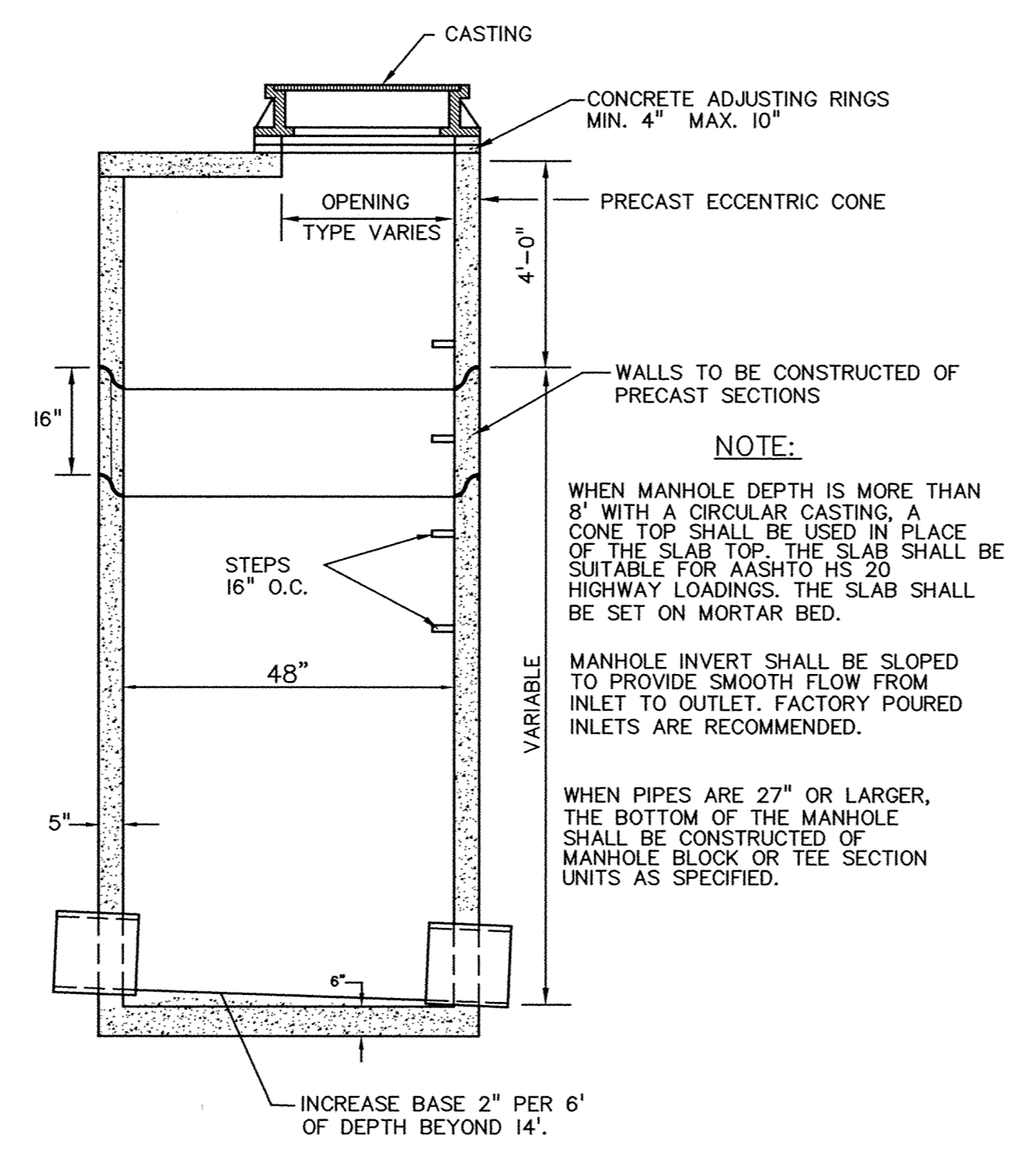
RIP-RAP INSTALLATION



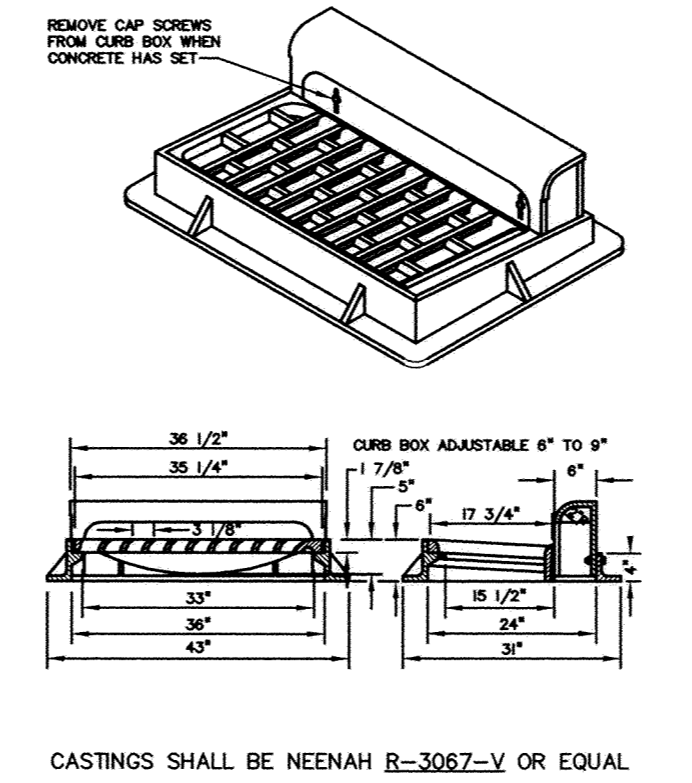
MANHOLE OR CATCH BASIN COVER



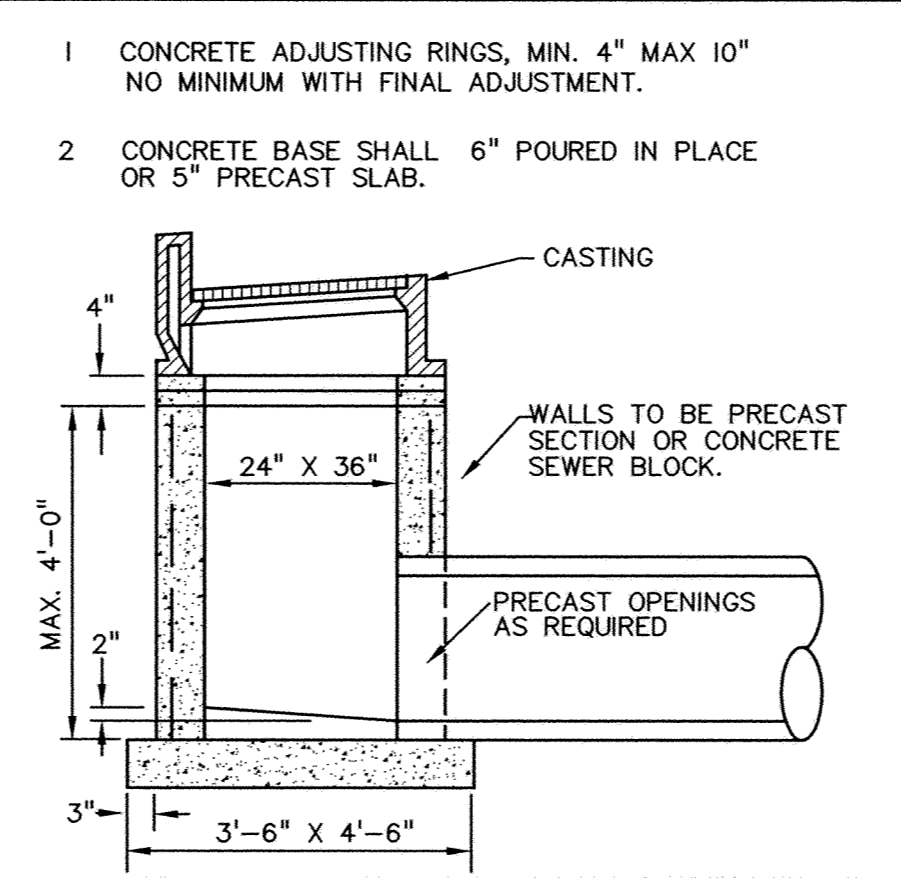
CLASS C PIPE BEDDING



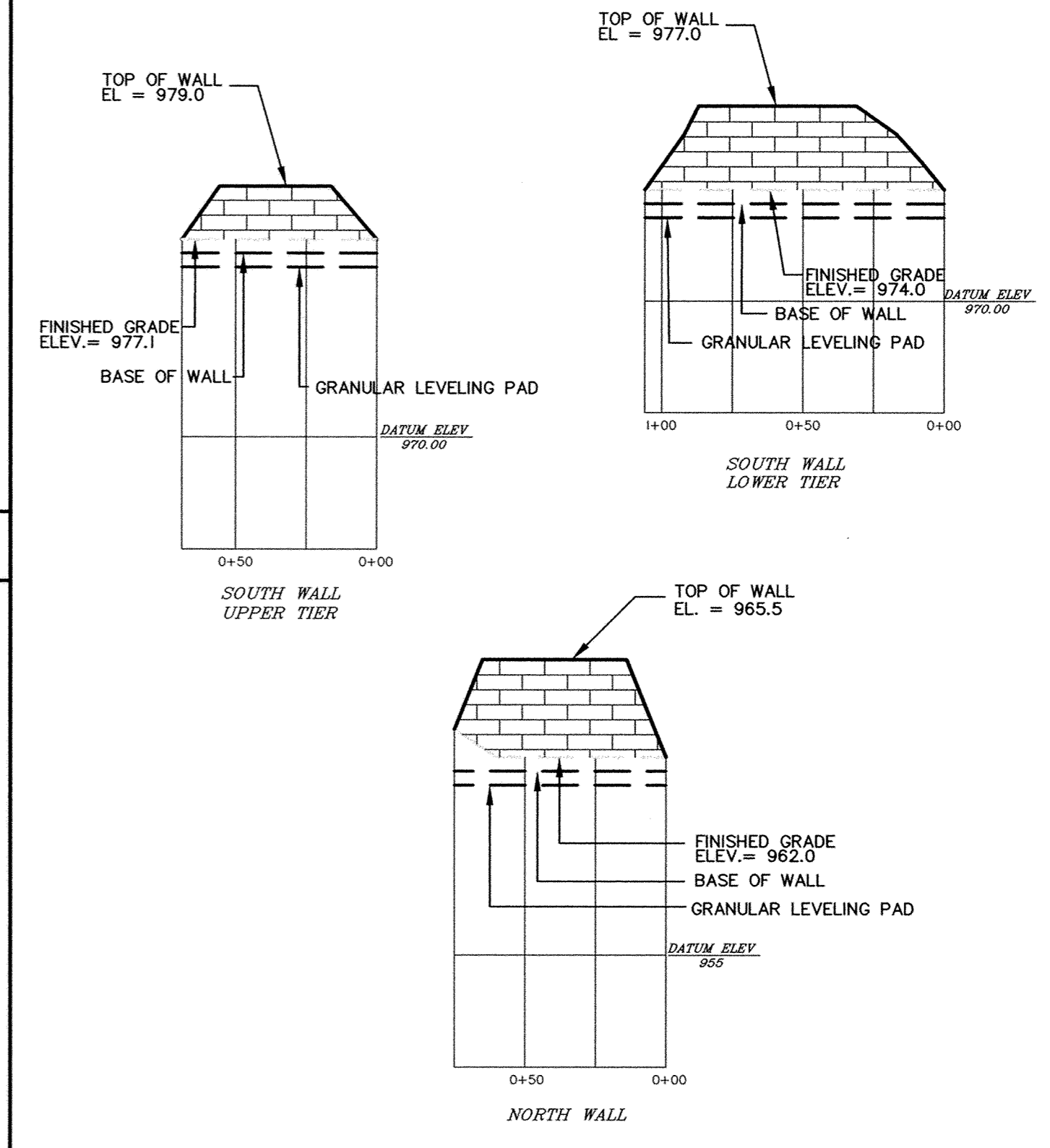
STANDARD MANHOLE FOR STORM SEWER



STANDARD INLET CASTING



CATCHBASIN — RECTANGULAR — 24" X 36"



RETAINING WALL DETAILS (NTS.)

| REV. NO. | DATE | DESCRIPTION |
|----------|---------|-------------------------|
| 1 | 3/27/02 | DESIGN BY: JKB, P, G, B |
| 2 | 8/7/02 | DESIGN BY: EG, GB, CCO |
| 3 | 8/7/02 | CHECKED BY: CCO, JKB |
| 4 | 8/7/02 | ASBUILTS |
| 5 | 1/31/05 | UPDATED ASBUILTS |

I hereby certify that this plan was prepared by me or under my direct supervision and that I am a duly Licensed Professional Engineer under the laws of the State of Minnesota.

DESIGNER: JKB, P, G, B
 CHECKED BY: CCO, JKB
 DWG FILE: 14_DETAILS
 FILE NO.: 101304.0

Signed: [Signature]
 Date: 3/1/05
 Reg. No. 19900

BOGART, PEDERSON & ASSOCIATES, INC.
 LAND SURVEYING
 ENGINEERING
 MAPPING

13076 FIRST STREET, BECKER, MN 55504-6322
 TEL: 763-262-8822 FAX: 763-262-8844

WINDSOR PARK 3RD ADD.
 CITY OF ELK RIVER, MN.
 DYNAMICS DESIGN & LAND CO.