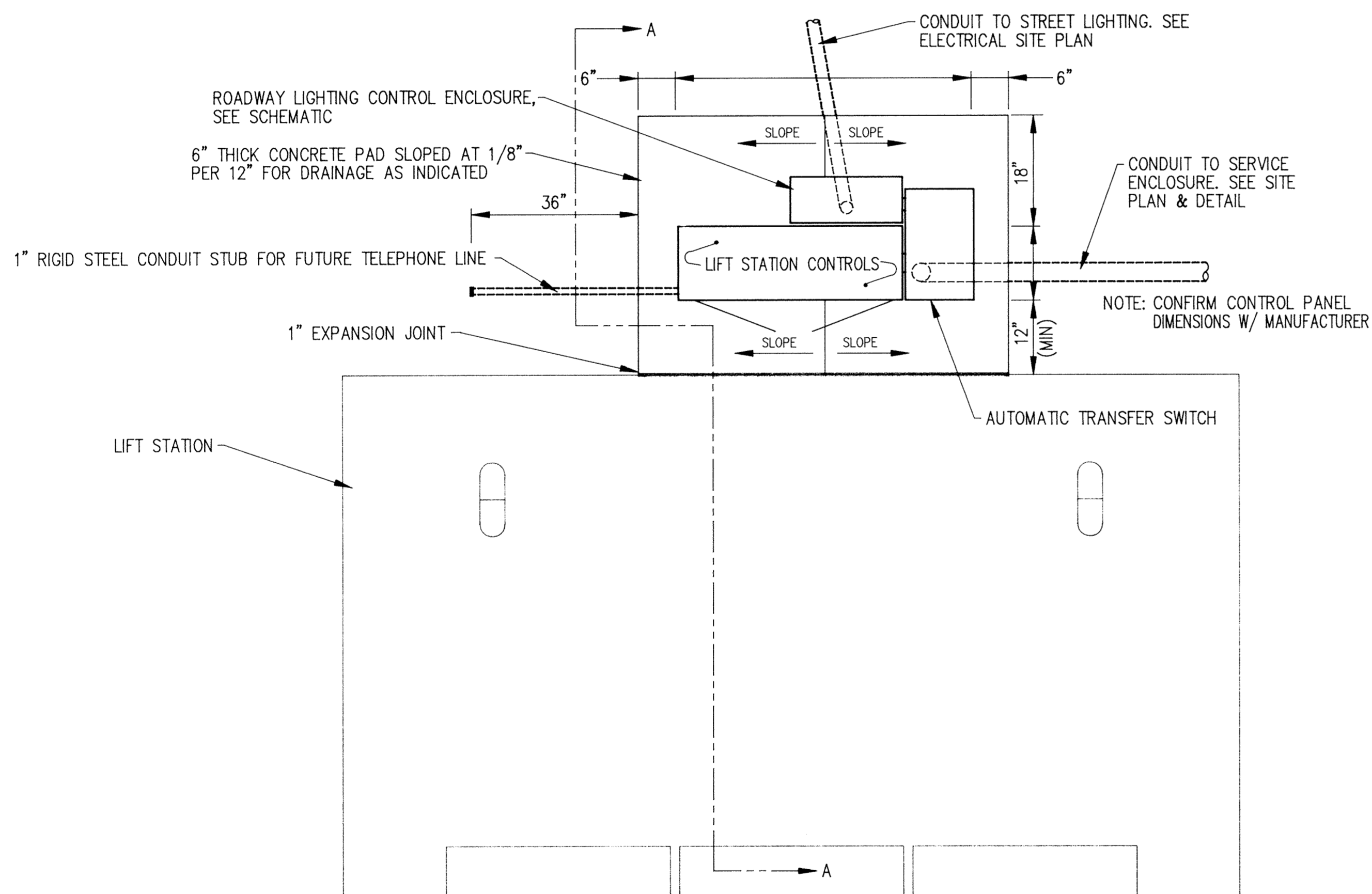


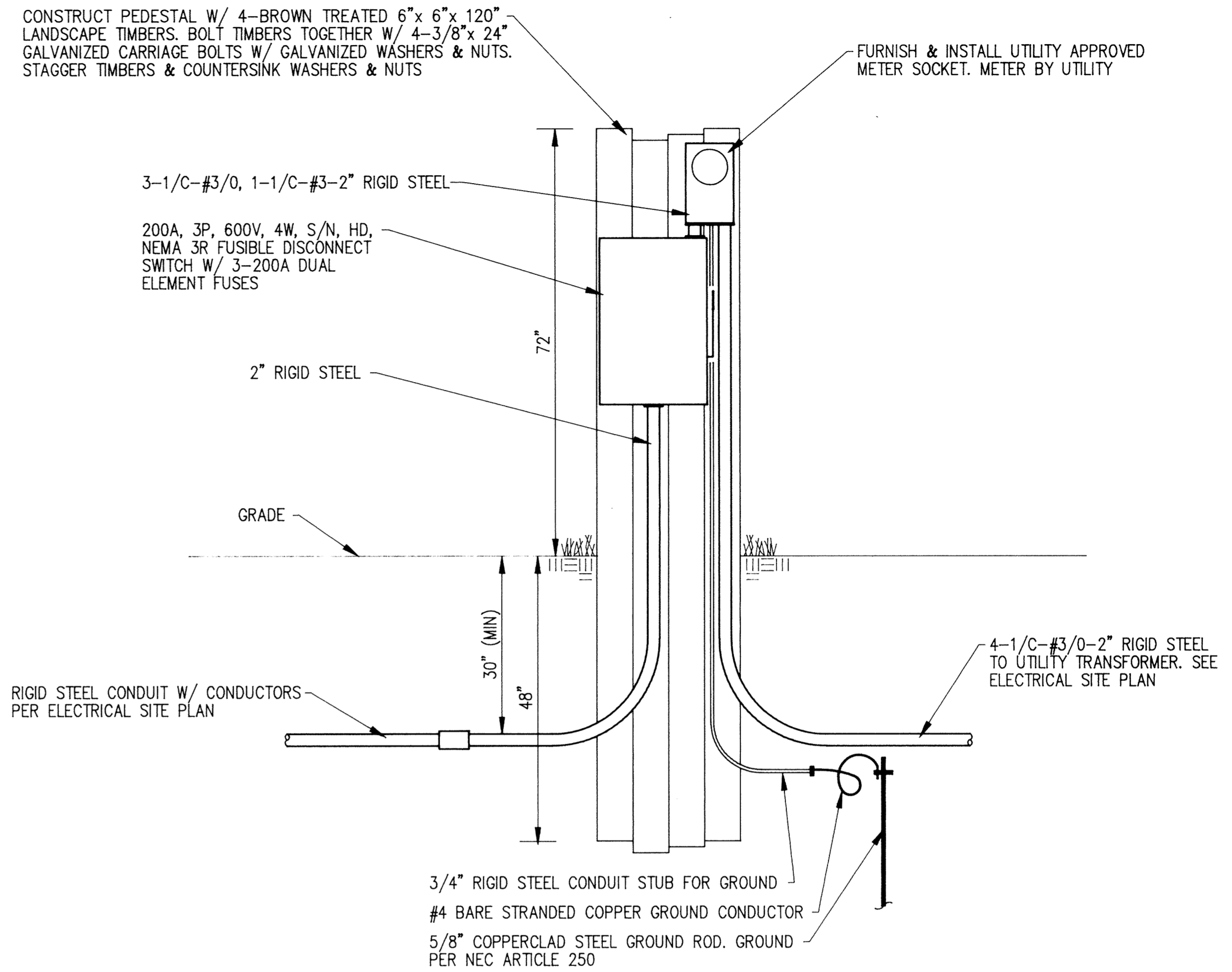
SECTION A-A



PLAN VIEW

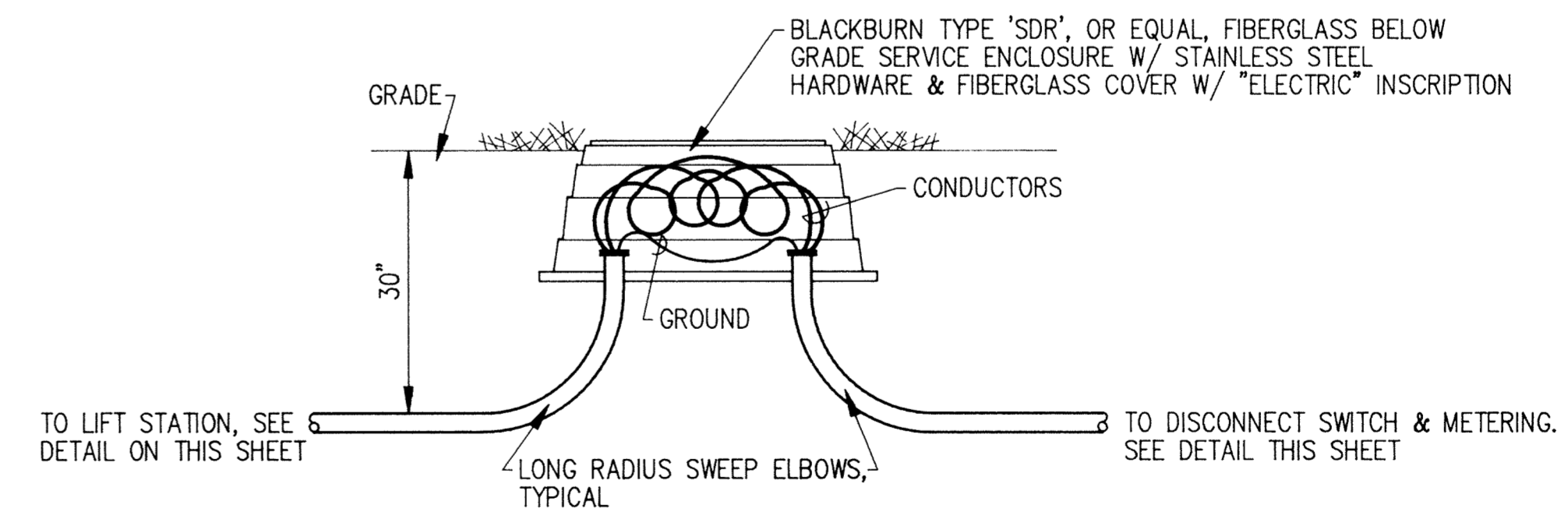
LIFT STATION DETAILS

SCALE: 3/4"=1'-0"



METERING & DISCONNECT SWITCH MOUNTING DETAIL

SCALE: 3/4"=1'-0"



SERVICE ENCLOSURE DETAIL

NO SCALE

RECORD PLAN JAN. 1993

This drawing was prepared by:
Reading & Associates, Inc.
7300 France Avenue South
Suite 330
Minneapolis, MN 55435
Telephone: (612) 831-0317
Fax: (612) 831-2179

I hereby certify that this report, plan, or specification was prepared by me or under my direct supervision and I am a duly registered Professional Engineer under the laws of the State of Minnesota
Michael Stewart
Date: 13 MAR 92 Registration No.: 9055

Maier Stewart & Associates Inc.
CONSULTING ENGINEERS

1959 SLOAN PLACE [612] 774-6021 ST. PAUL, MINNESOTA 55117

REVISIONS	DATE	DESCRIPTION	DESIGNED	CHK/RL
			CHECKED	SBH
			DRAWN	CPM
			GRAPHIC SCALE	
			0 HORIZ.	
			0 VERT.	

DATE	MAR. 1991	SHEET	35 OF 36 SHEETS	PROJECT NO.	230-131
------	-----------	-------	-----------------	-------------	---------

CITY OF ELK RIVER
S.A.P. 204-113-06
ELECTRICAL DETAILS
CITY HALL SITE