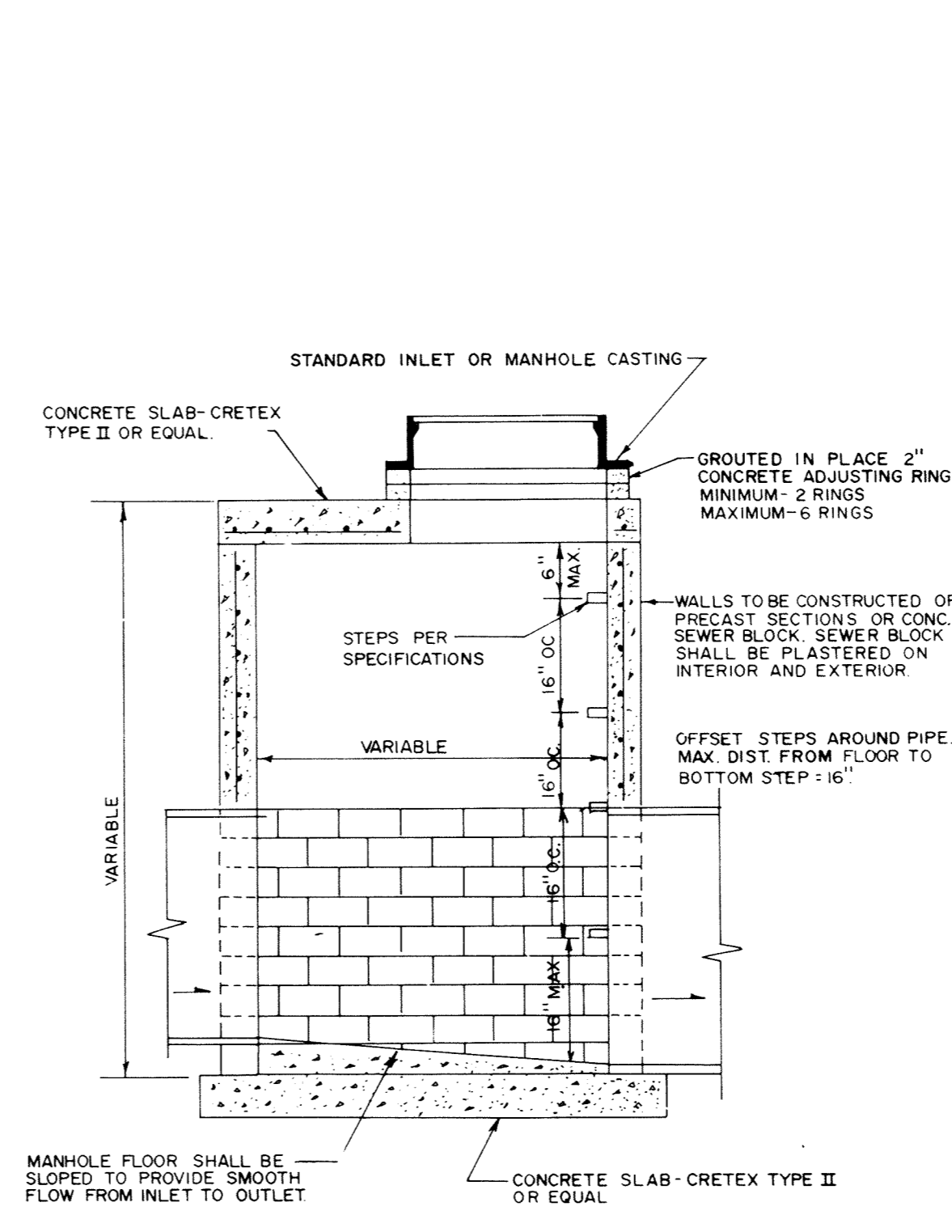
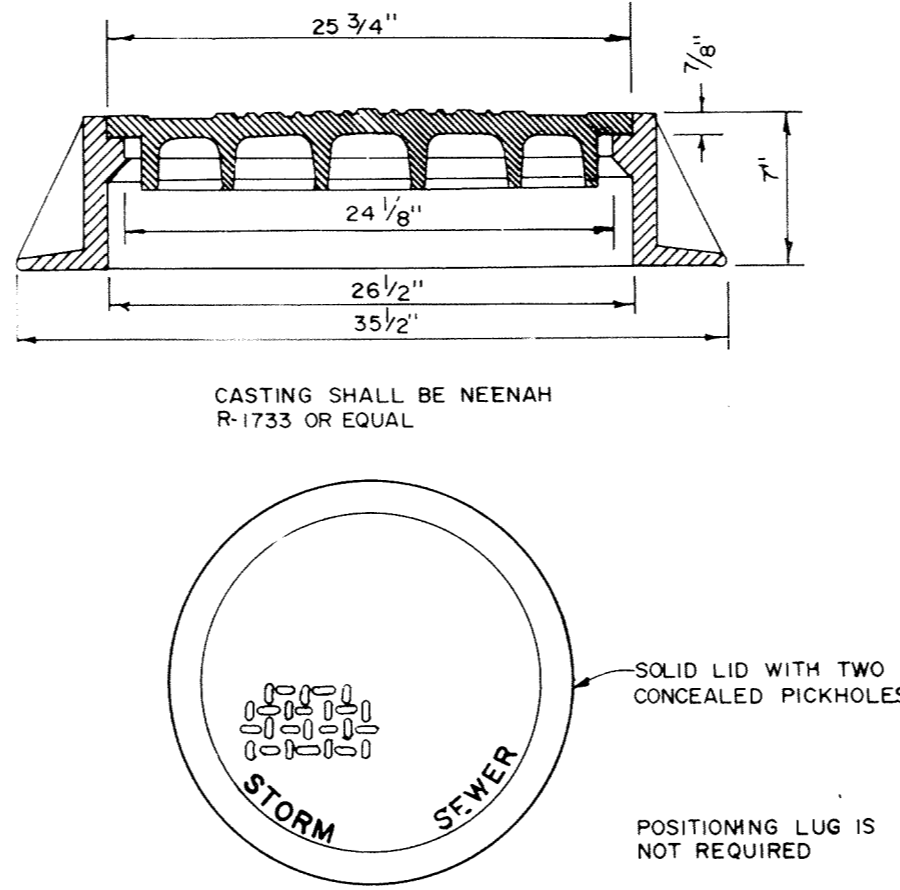


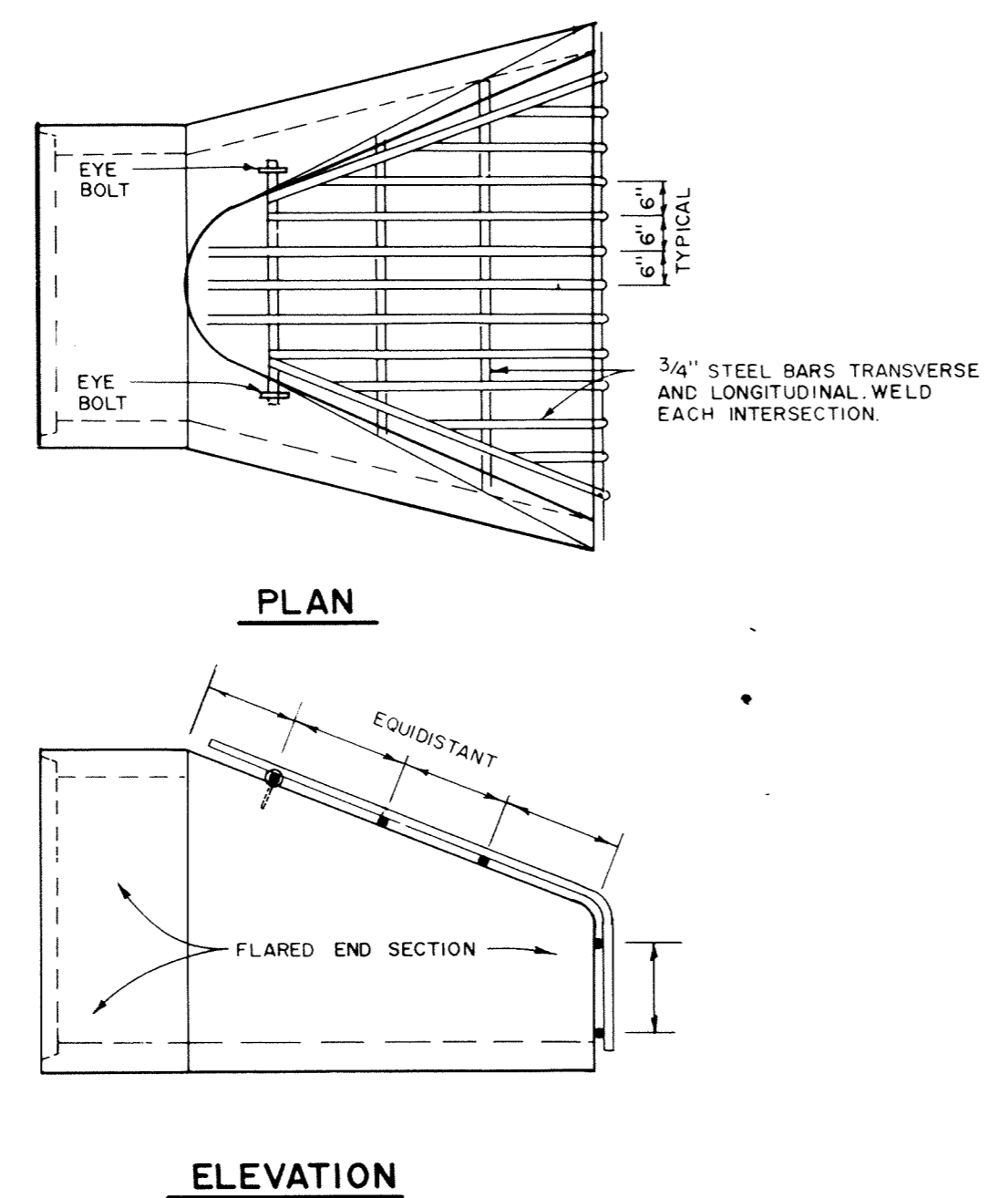
STANDARD MANHOLE



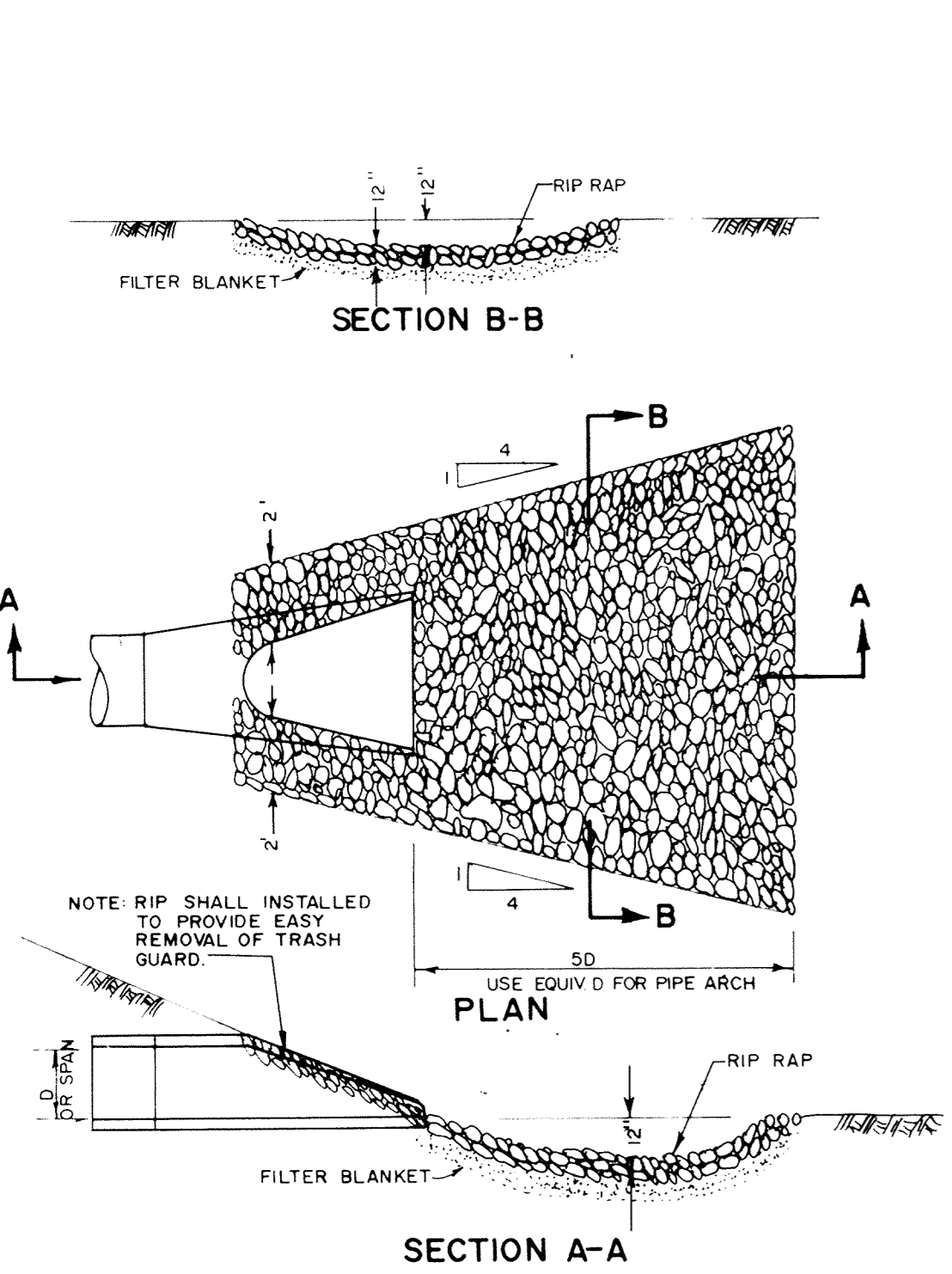
SLAB-TOP MANHOLE



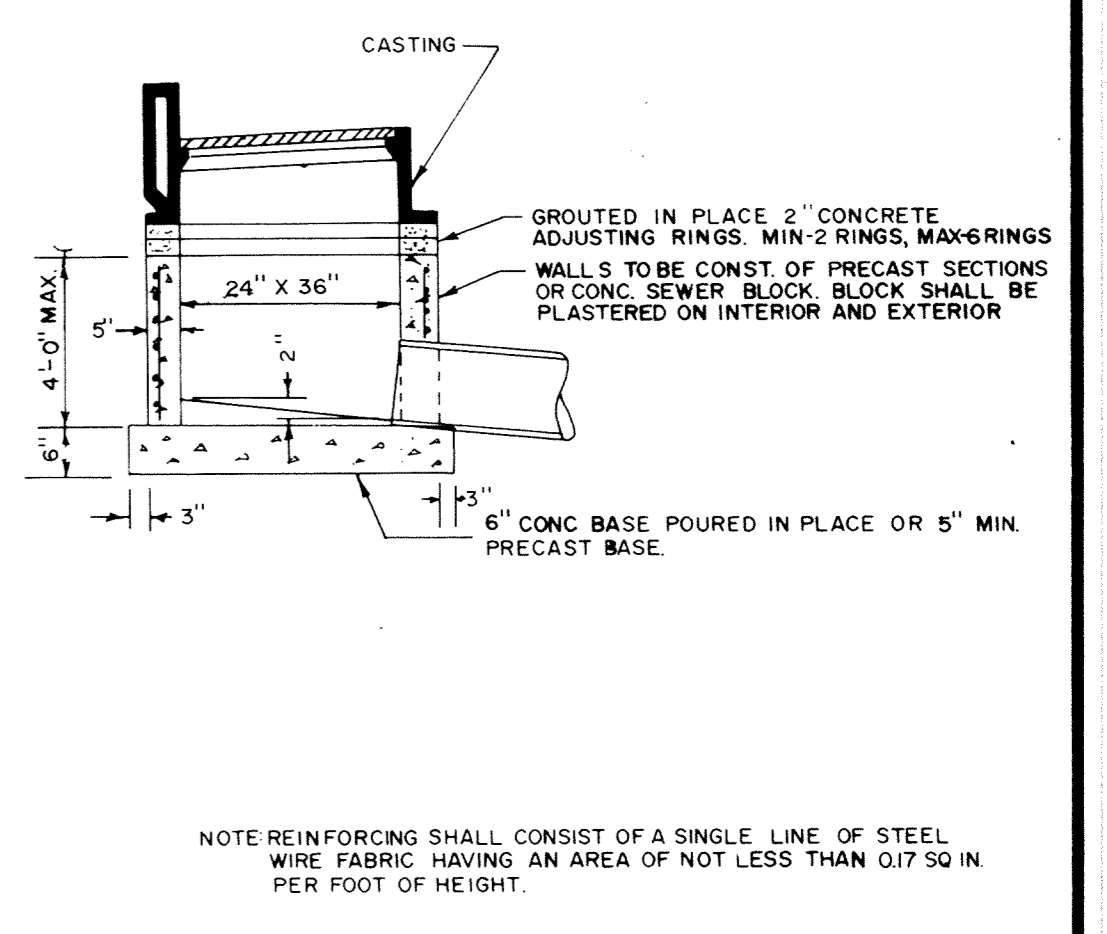
STANDARD MANHOLE CASTING



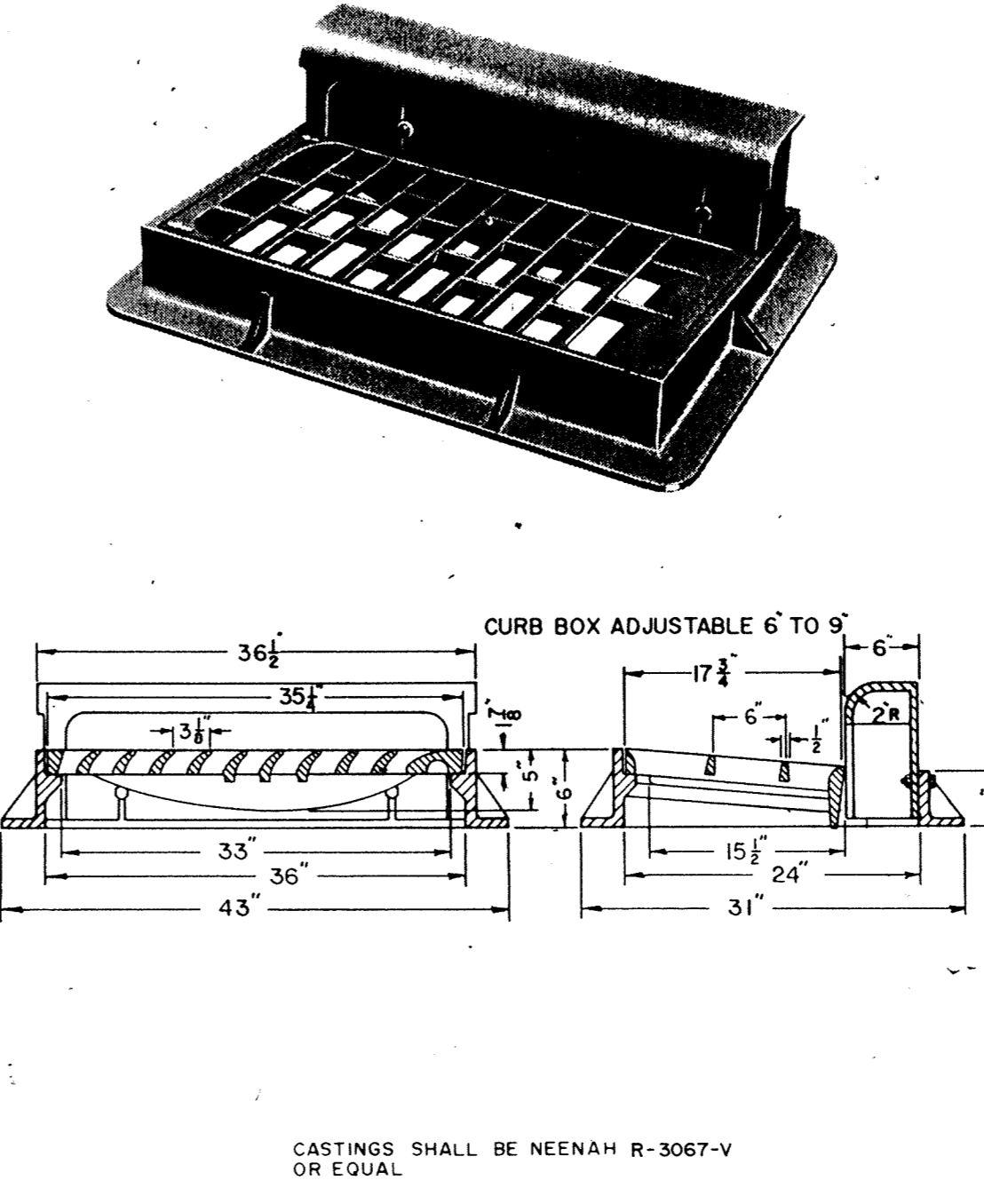
TRASH GUARD



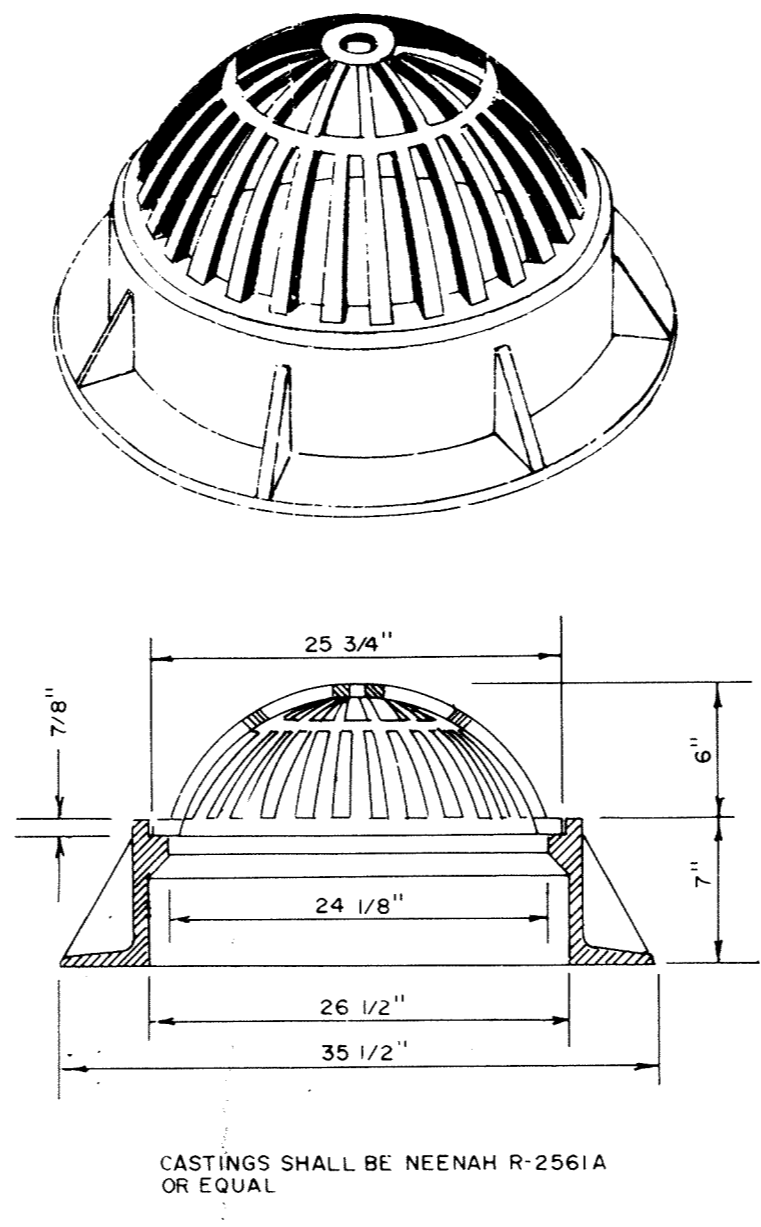
RIP-RAP INSTALLATION



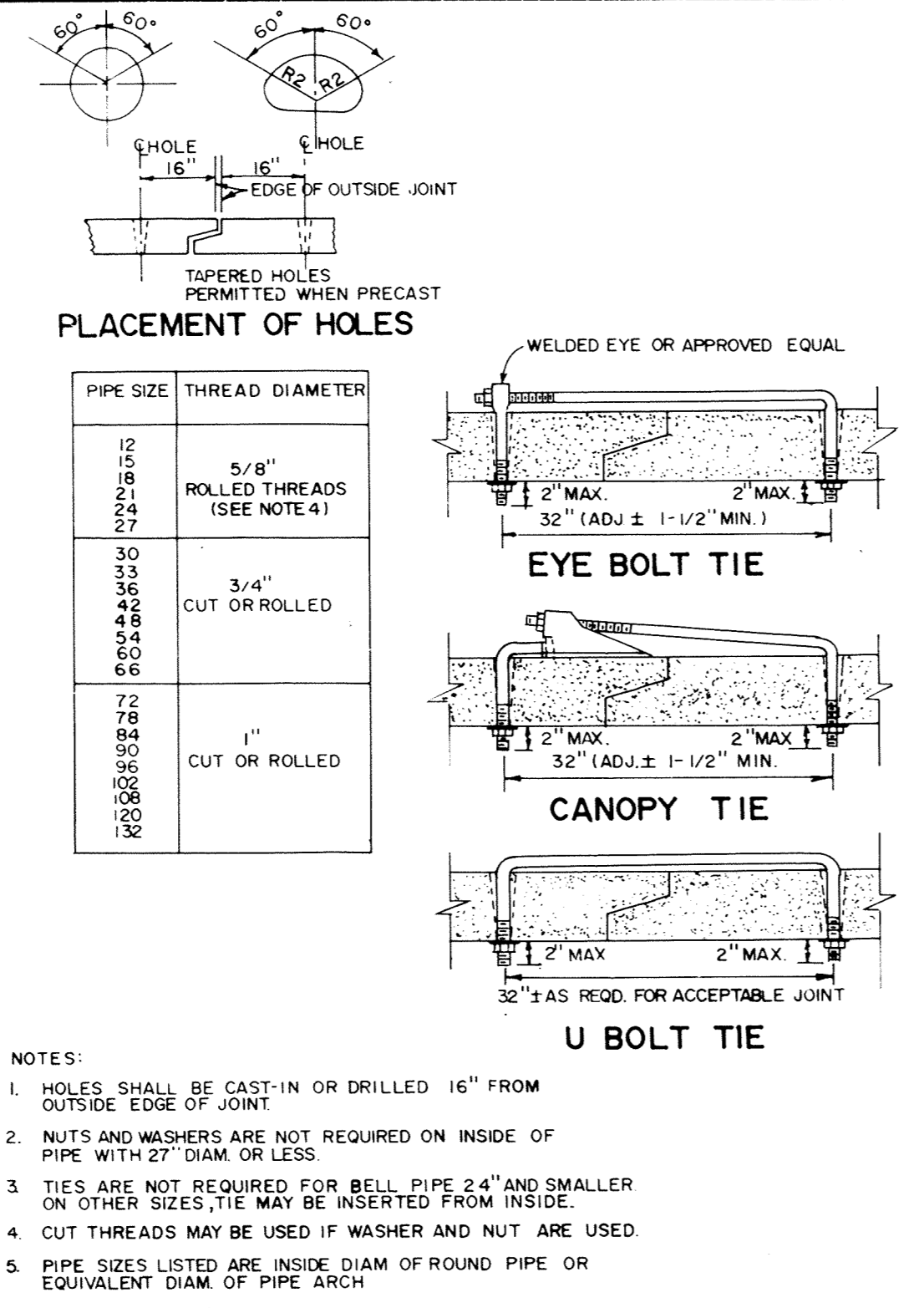
SHALLOW CATCH BASIN



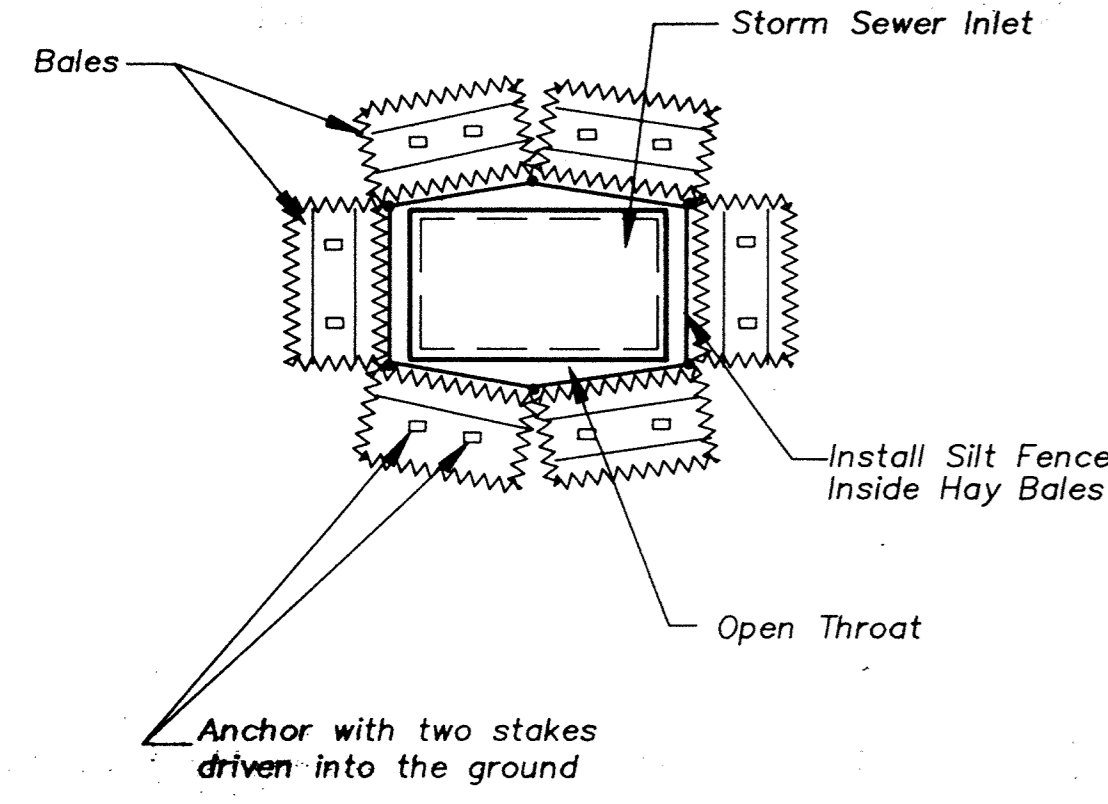
STANDARD INLET CASTING



BEEHIVE CASTING



CONCRETE PIPE JOINT TIES



CATCH BASIN SILT CONTROL DETAIL

CONSULTING ENGINEERS

**Maier Stewart & Associates Inc.**

1959 SLOAN PLACE (612) 774-6021 ST. PAUL, MINNESOTA 55117

DATE	DESCRIPTION	DESIGNED
		CHECKED
		DRAWN
		GRAPHIC SCALE
		0 HORIZ. NONE
		0 VERT.

CITY OF ELK RIVER

S.A.P. 204-113-06

STORM SEWER DETAILS

DATE FEB 1992 SHEET 31 OF 36 SHEETS PROJECT NO. 230-131