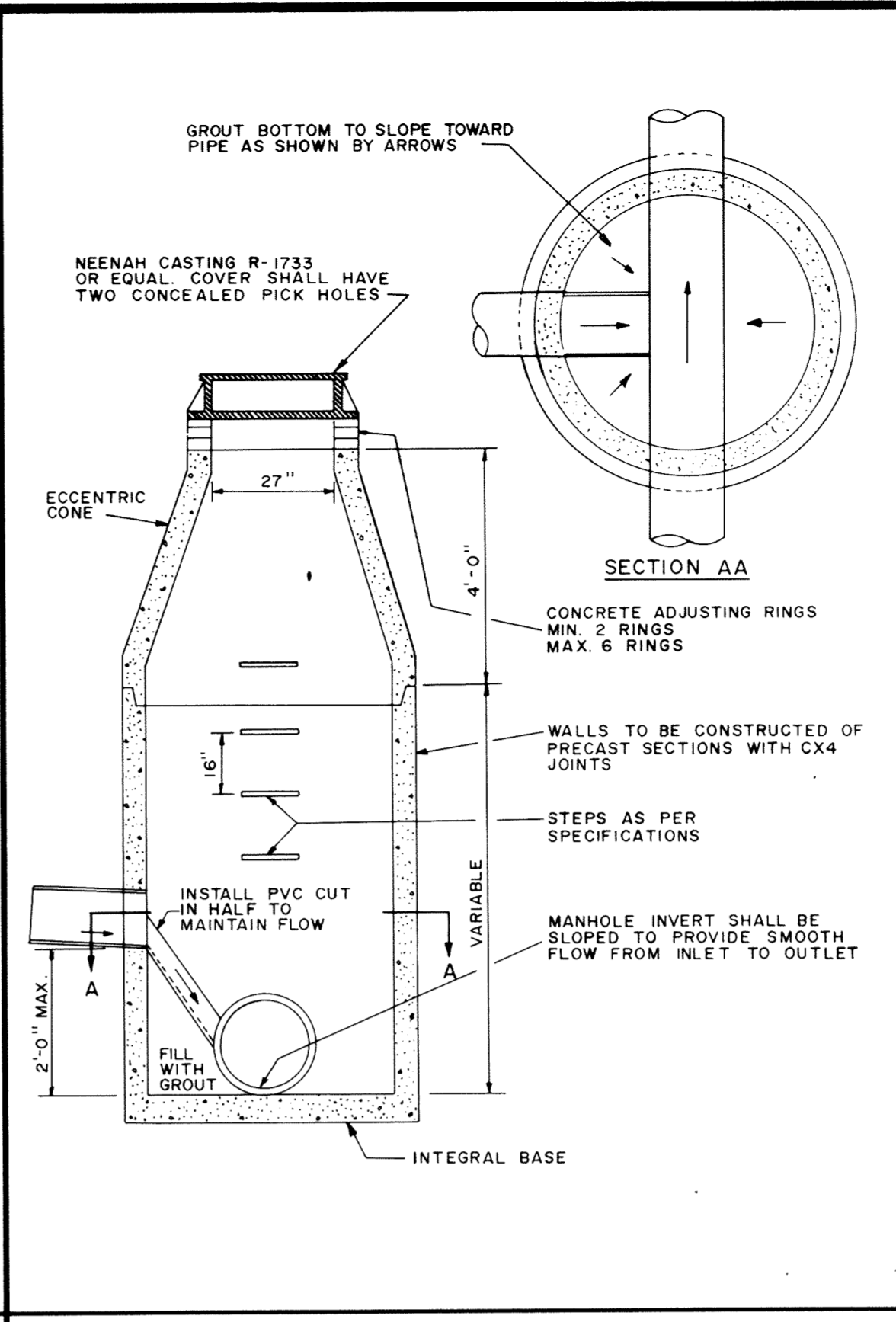
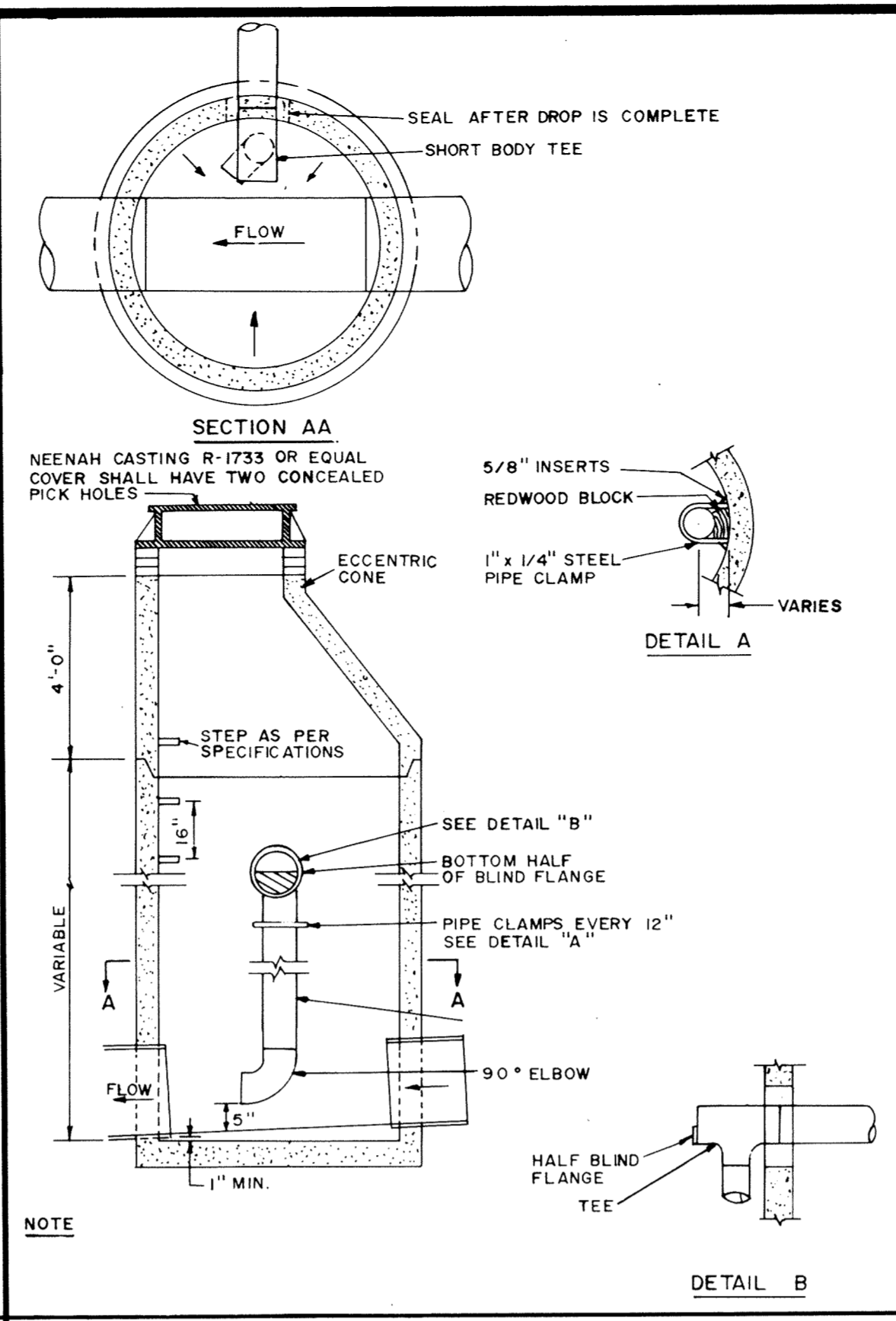


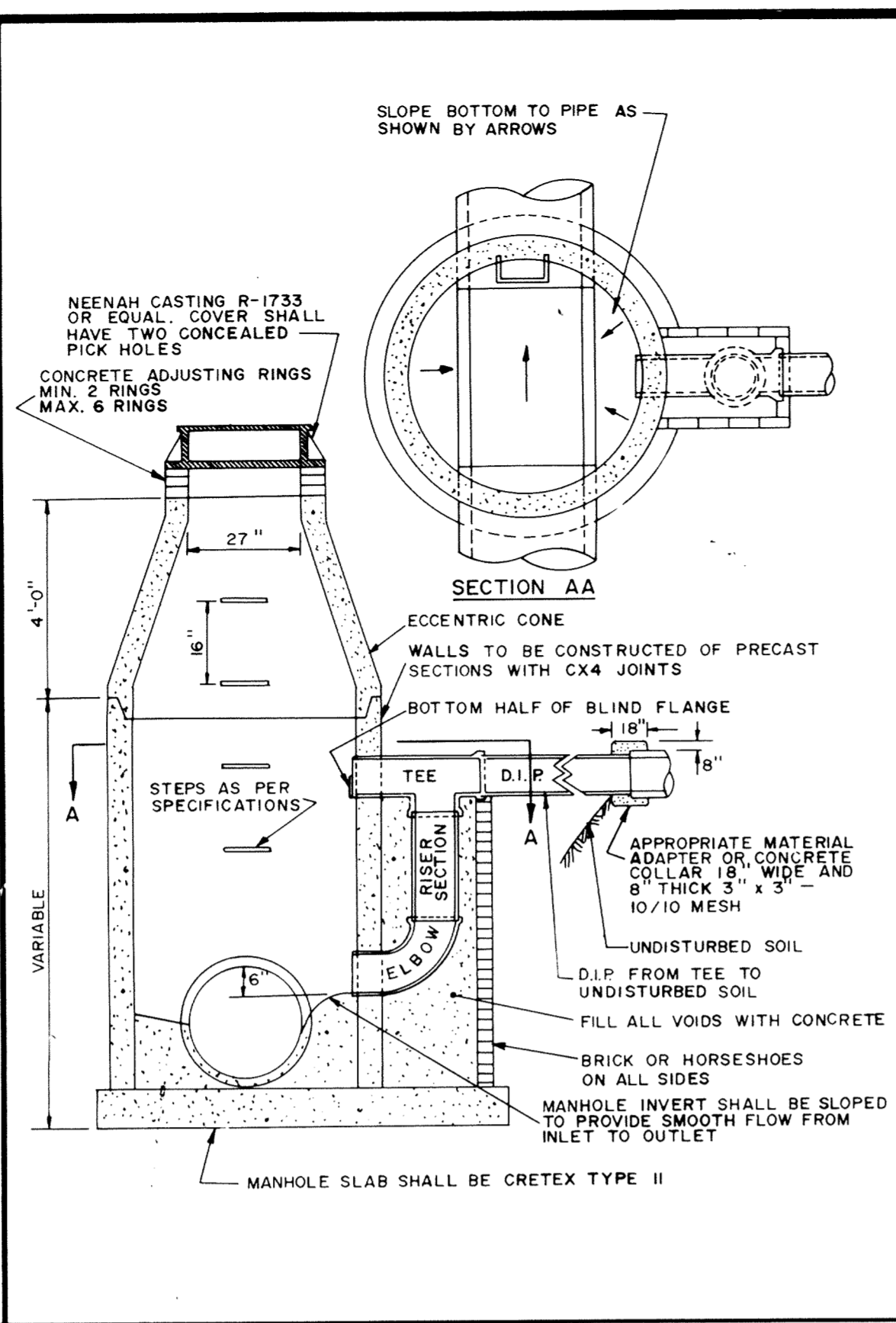
STANDARD MANHOLE



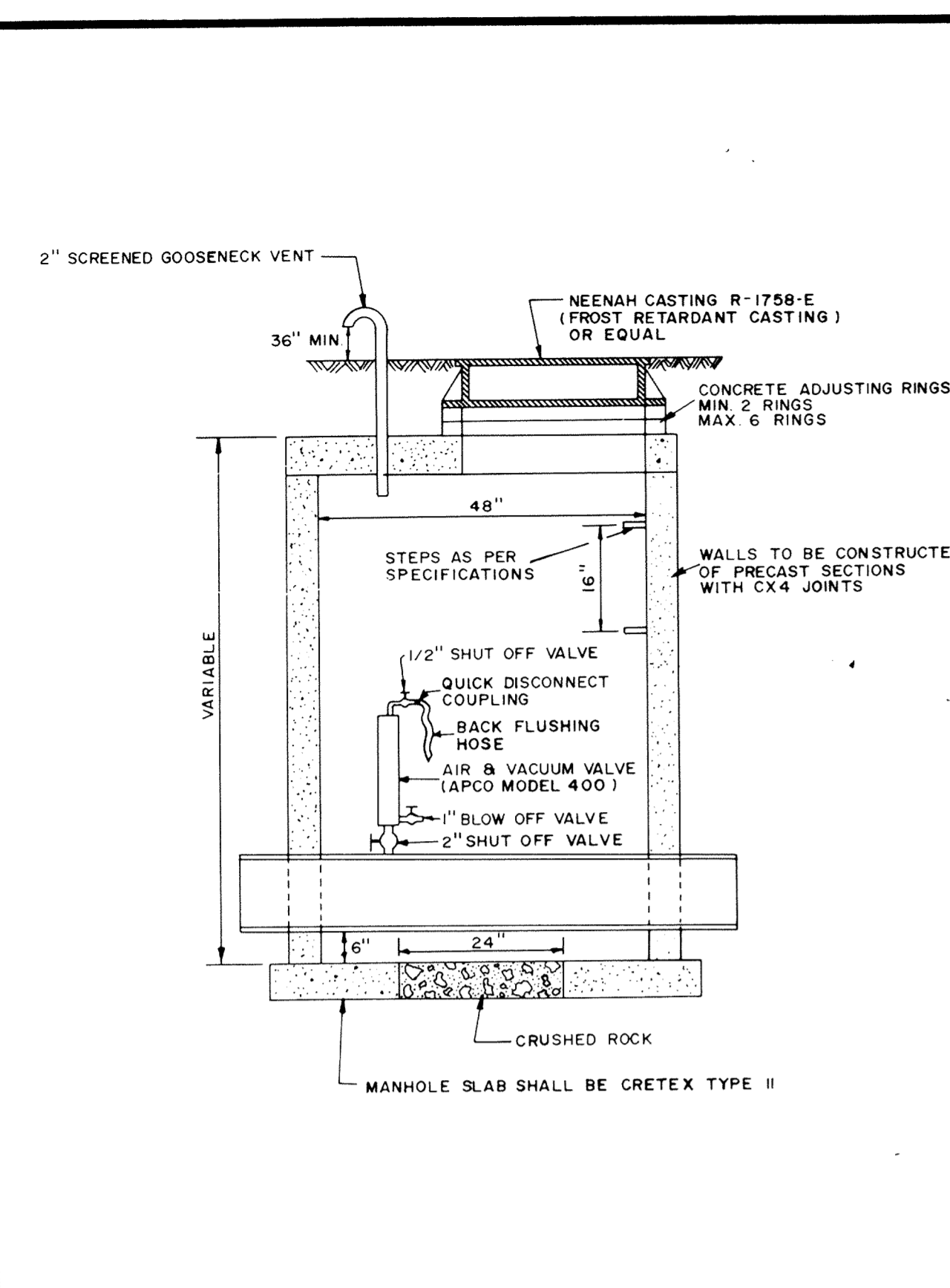
INSIDE DROP MANHOLE (2 FEET OR LESS)



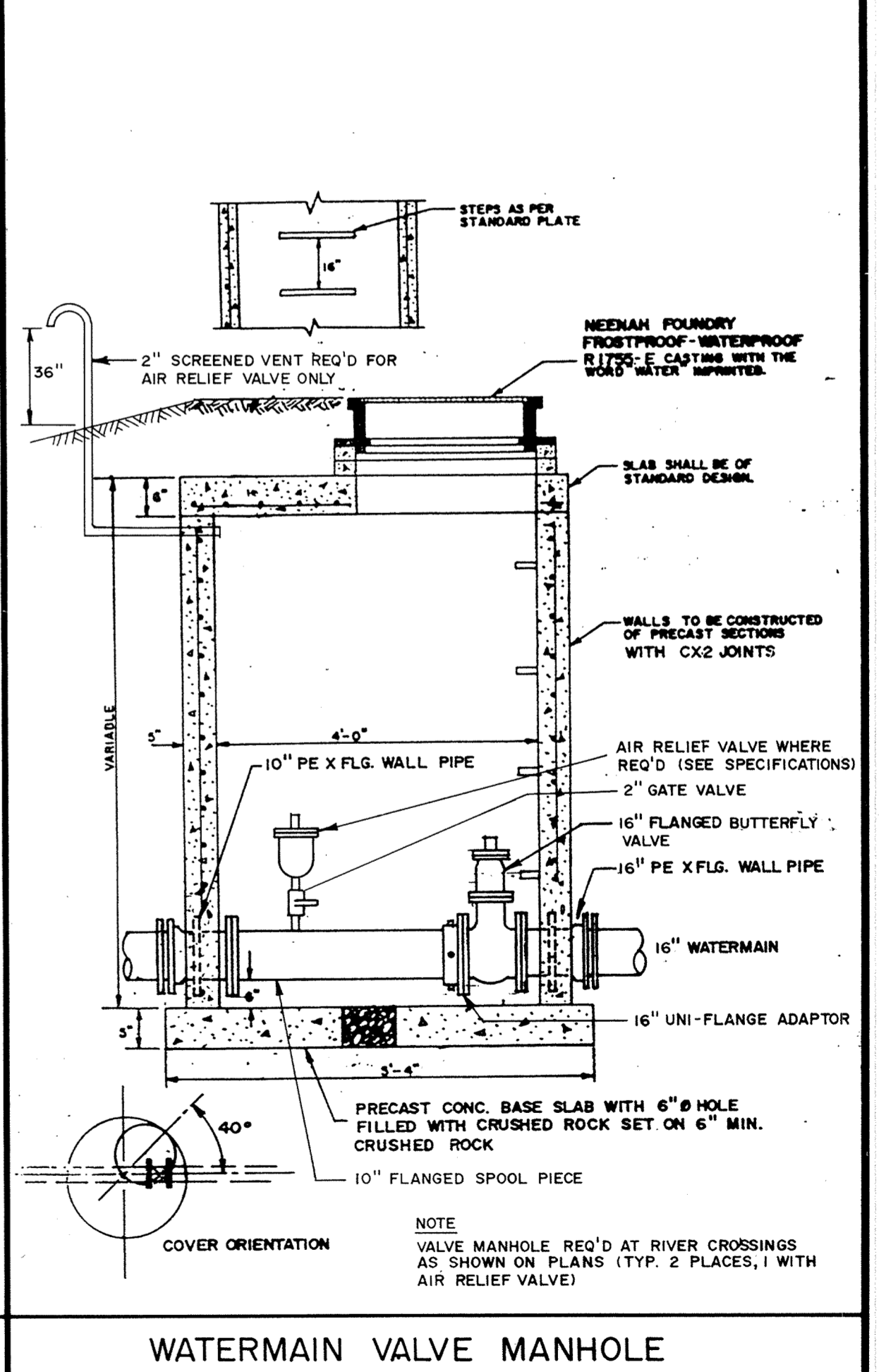
INSIDE DROP MANHOLE



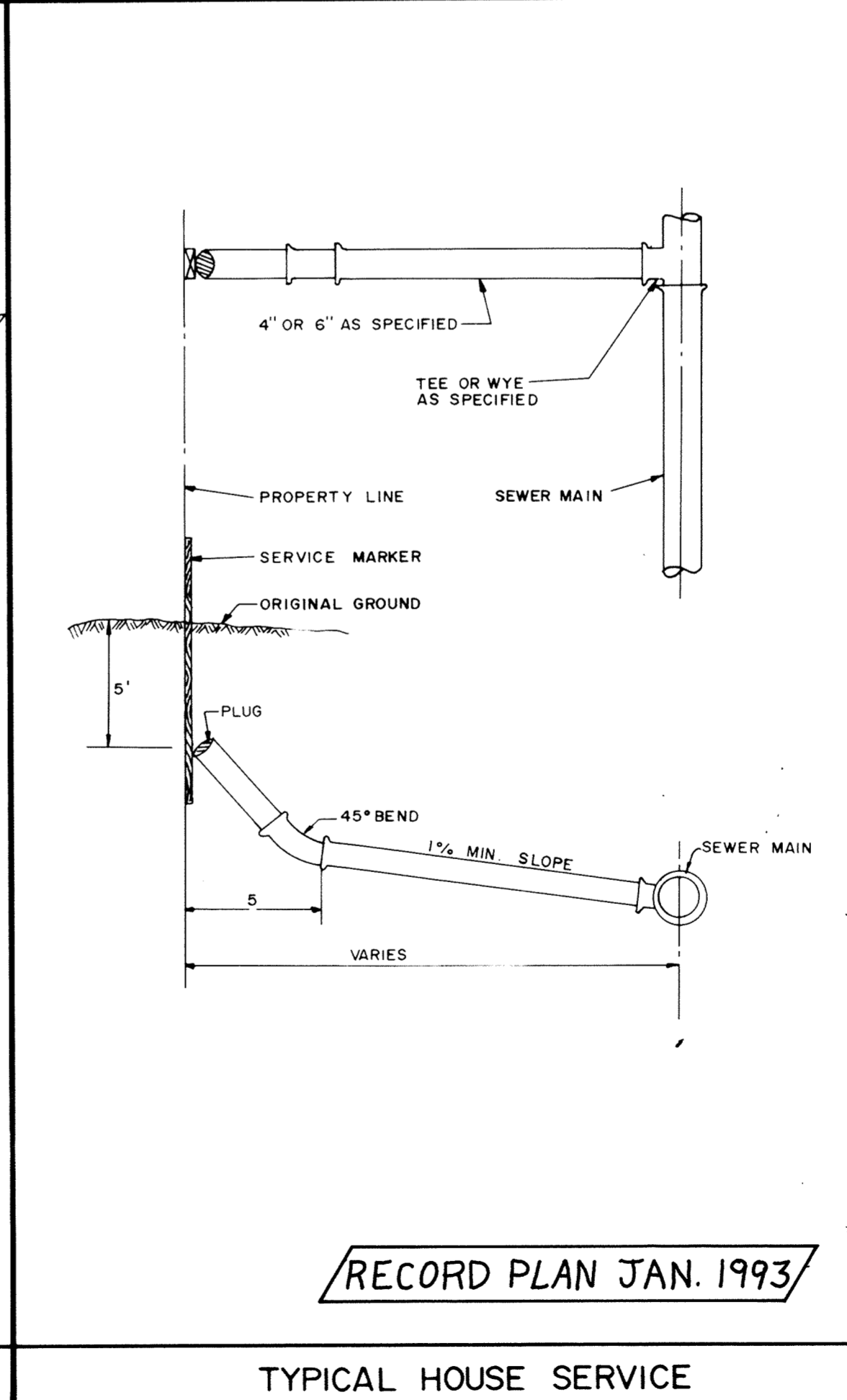
OUTSIDE DROP MANHOLE



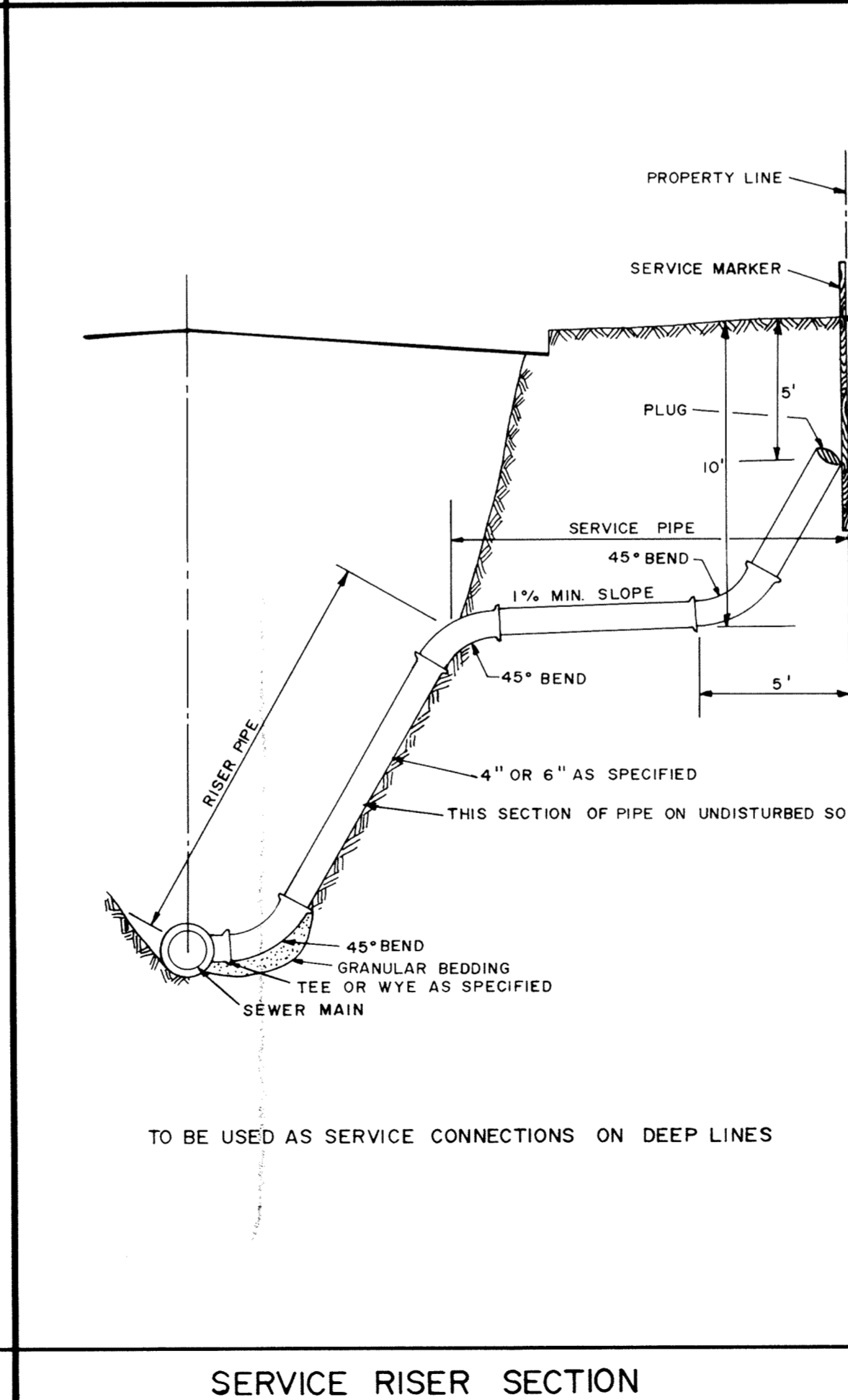
STANDARD AIR RELIEF MANHOLE



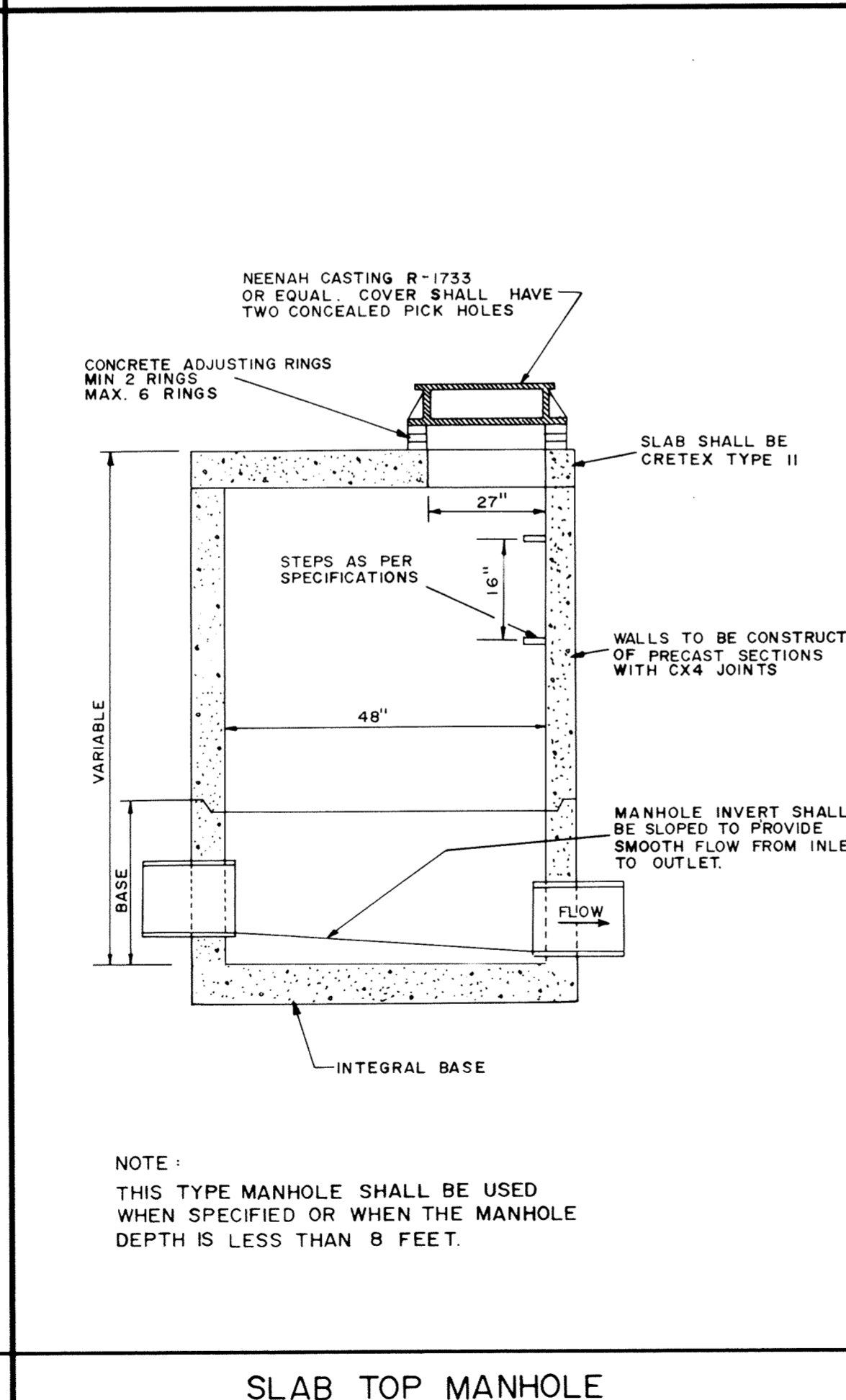
WATERMAIN VALVE MANHOLE



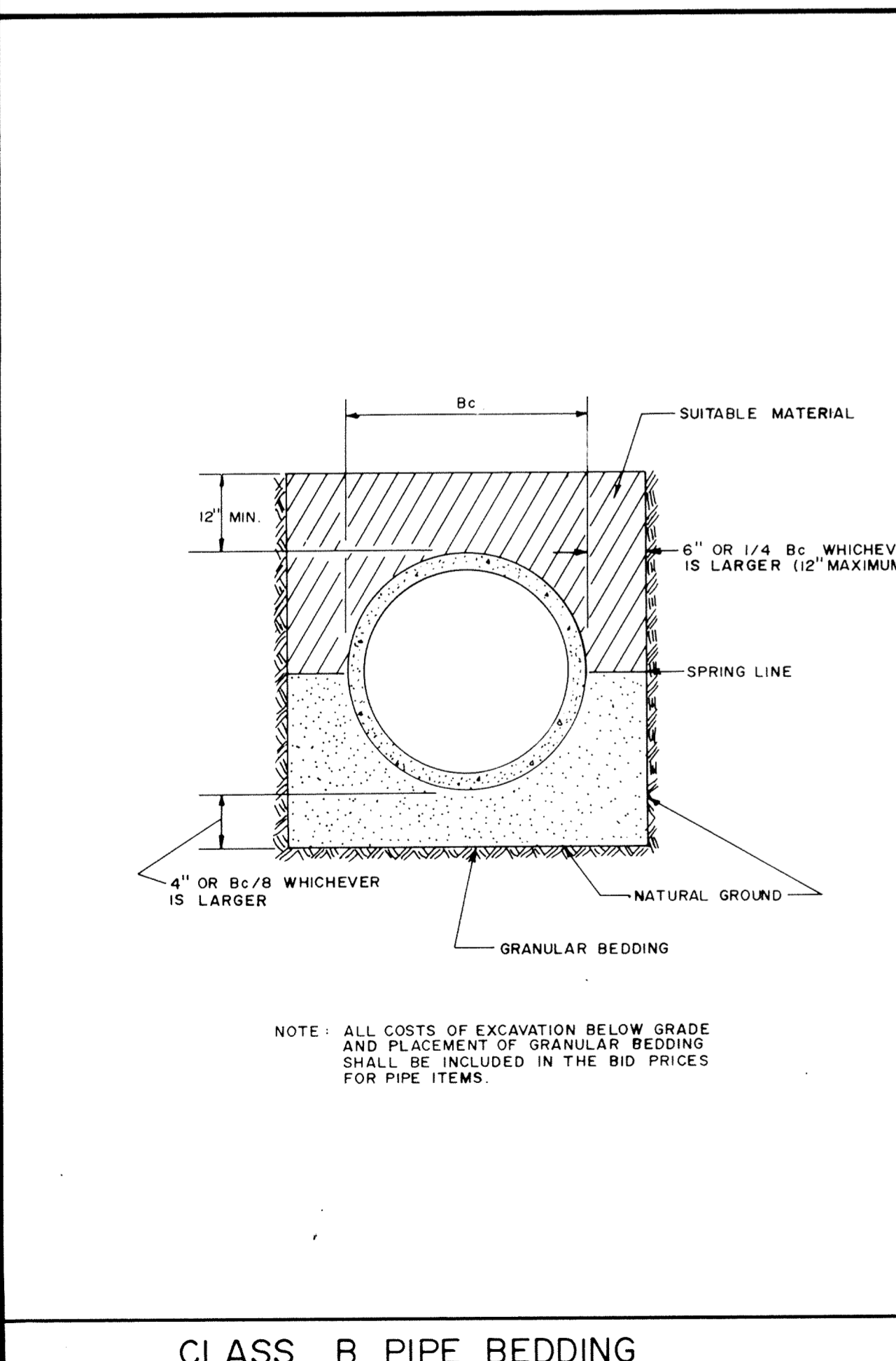
TYPICAL HOUSE SERVICE



SERVICE RISER SECTION



SLAB TOP MANHOLE



CLASS B PIPE BEDDING

DATE	DESCRIPTION	DESIGNED	CHECKED	DRAWN

CITY OF ELK RIVER
S.A.P. 204-113-06
SANITARY SEWER & WATERMAIN DETAILS

DATE: FEB. 1992 SHEET 29 OF 36 SHEETS PROJECT NO. 230-131

RECORD PLAN JAN. 1993

CONSULTING ENGINEERS
Maier Stewart & Associates Inc.
1959 SLOAN PLACE (612) 774 6021 ST. PAUL, MINNESOTA 55117