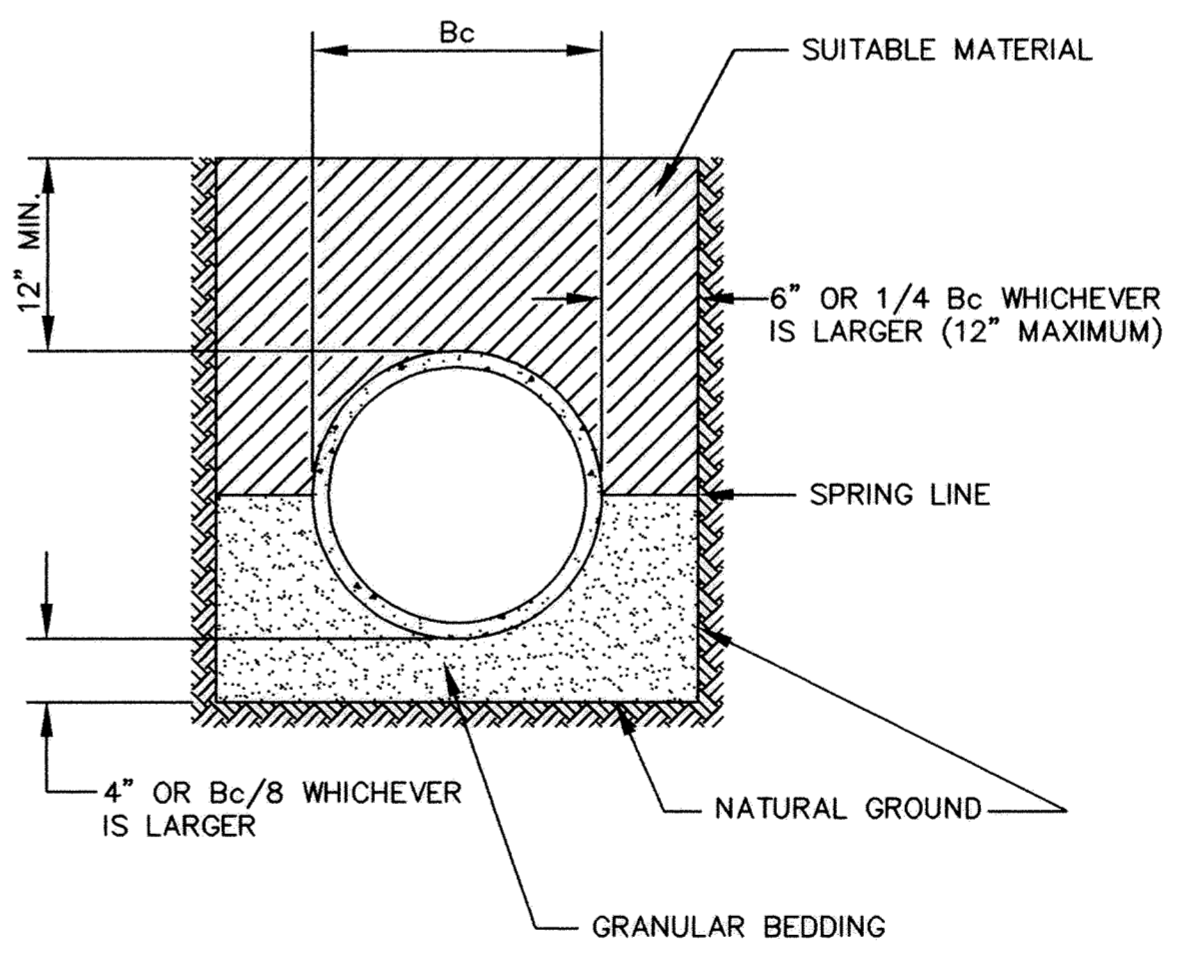


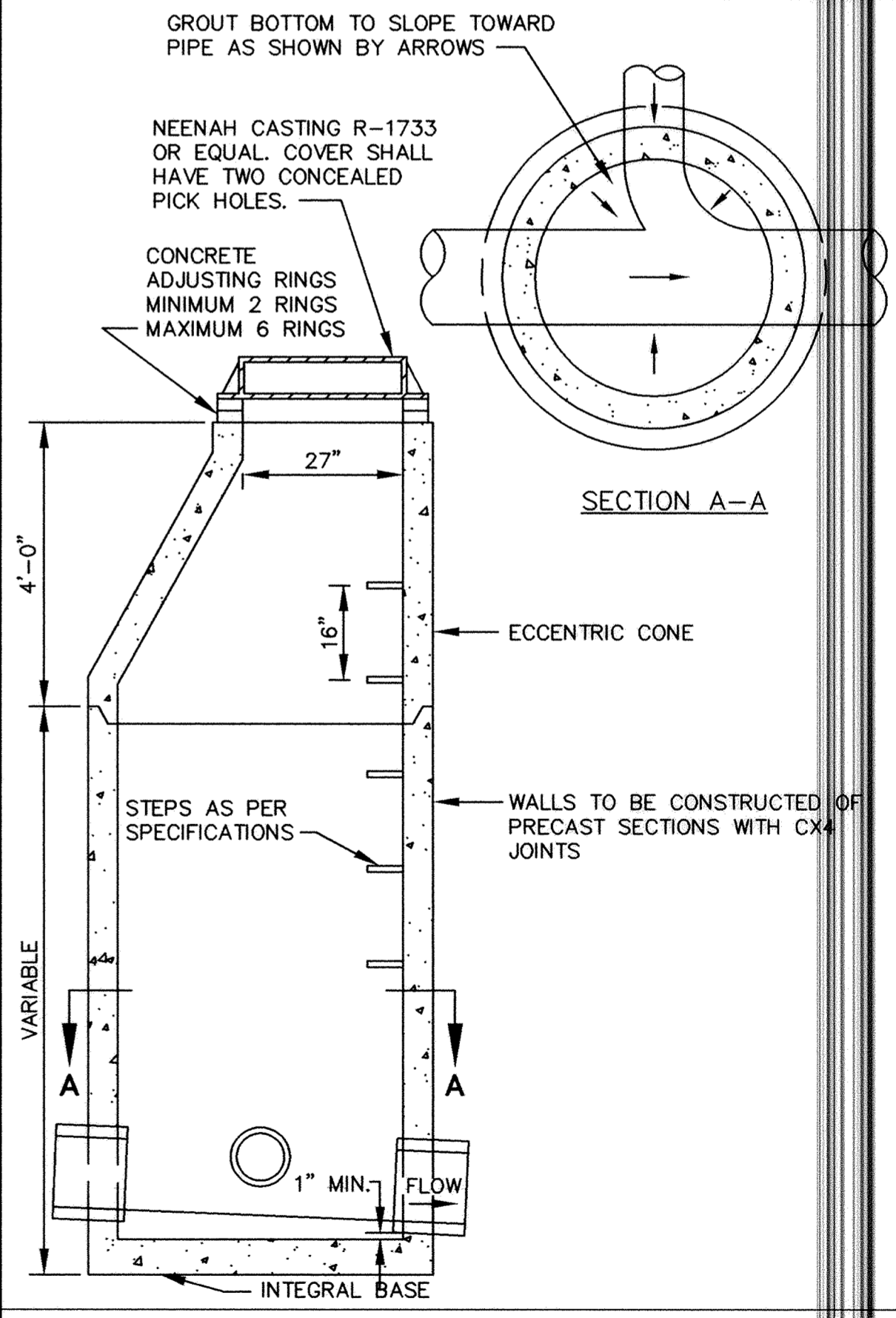
NOTE:
THIS TYPE MANHOLE SHALL BE USED WHEN SPECIFIED OR WHEN THE MANHOLE DEPTH IS LESS THAN EIGHT FEET.

SLAB TOP MANHOLE



NOTE: ALL COSTS OF EXCAVATION BELOW GRADE AND PLACEMENT OF GRANULAR BEDDING SHALL BE INCLUDED IN THE BID PRICES FOR PIPE ITEMS.

CLASS B PIPE BEDDING



STANDARD MANHOLE

RECORD PLAN
MARCH 2002

DESIGNED BY: JMA DRAWN BY: RKM
APPROVED BY: TJM JOB NUMBER 807650
CAD DATE: June 28, 2000 7:17:25 a.m.
CAD FILE: 807650\807650-SAN.DWG

I HEREBY CERTIFY THAT THIS PLAN, SPECIFICATION, OR REPORT WAS PREPARED BY ME OR UNDER MY DIRECT SUPERVISION AND THAT I AM A DULY REGISTERED PROFESSIONAL ENGINEER UNDER THE LAWS OF THE STATE OF MINNESOTA.
DATE _____ REG. NO. 15316

NO.	DATE	BY	REVISION DESCRIPTION

1326 ENERGY PARK DRIVE
ST. PAUL, MINNESOTA 55108
(651) 644-4389

Howard R. Green Company
CONSULTING ENGINEERS

CITY OF ELK RIVER
WESTERN AREA PHASE IV
STREET AND UTILITY IMPROVEMENTS

SANITARY SEWER DETAILS
S.A.P. 204-131-02, 204-126-03, S.P. 7102-99

SHEET NO.
16