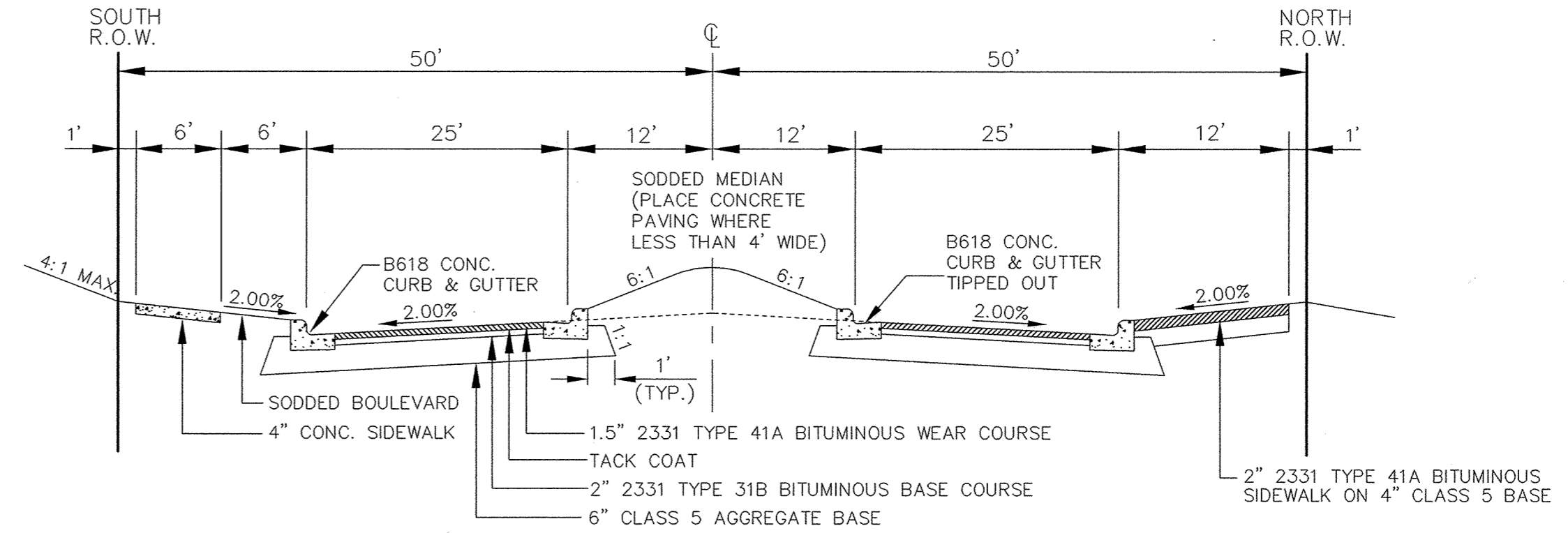
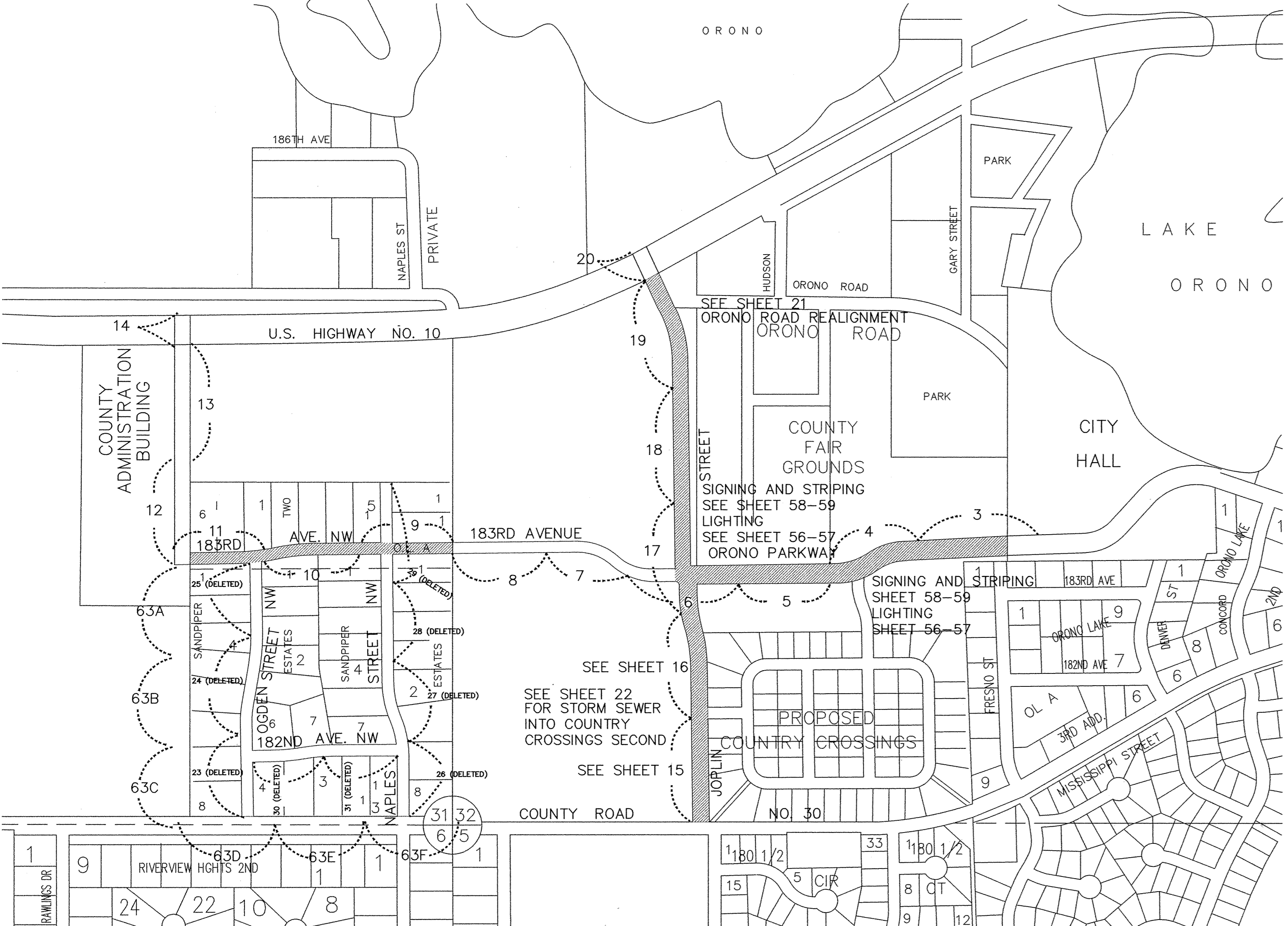


DRAWING NUMBER

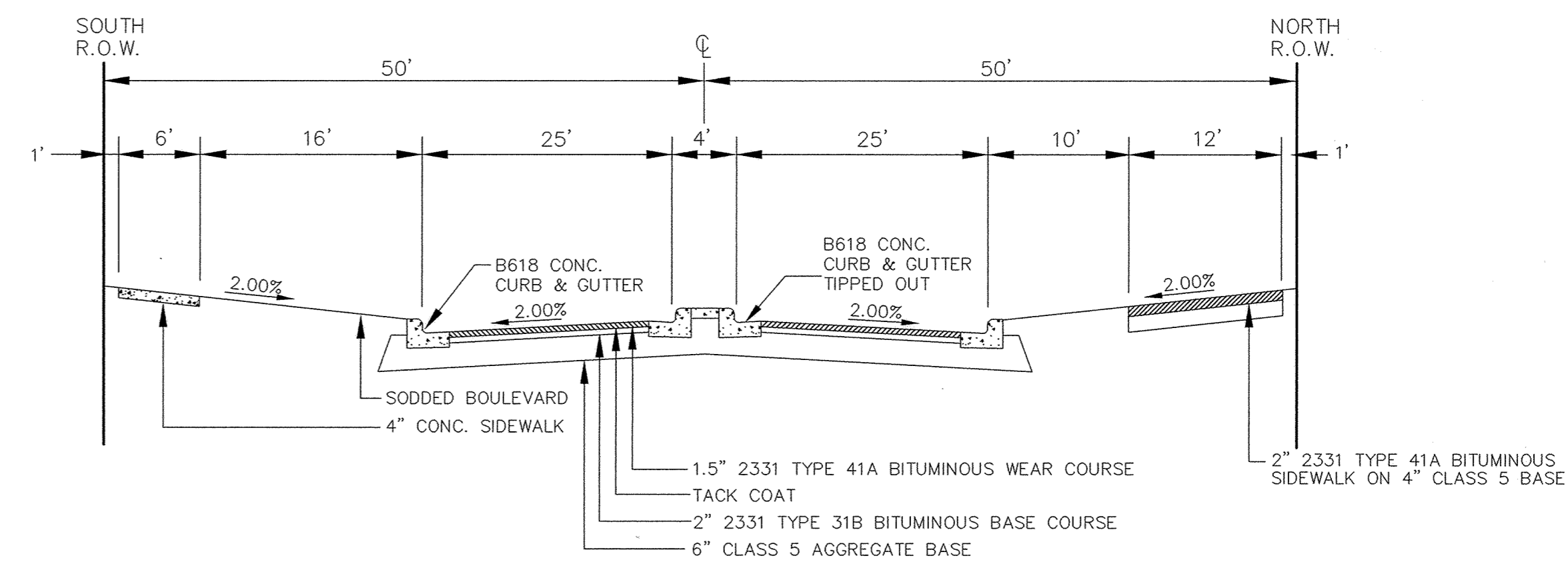
DRAWING NUMBER

DRAWING NUMBER

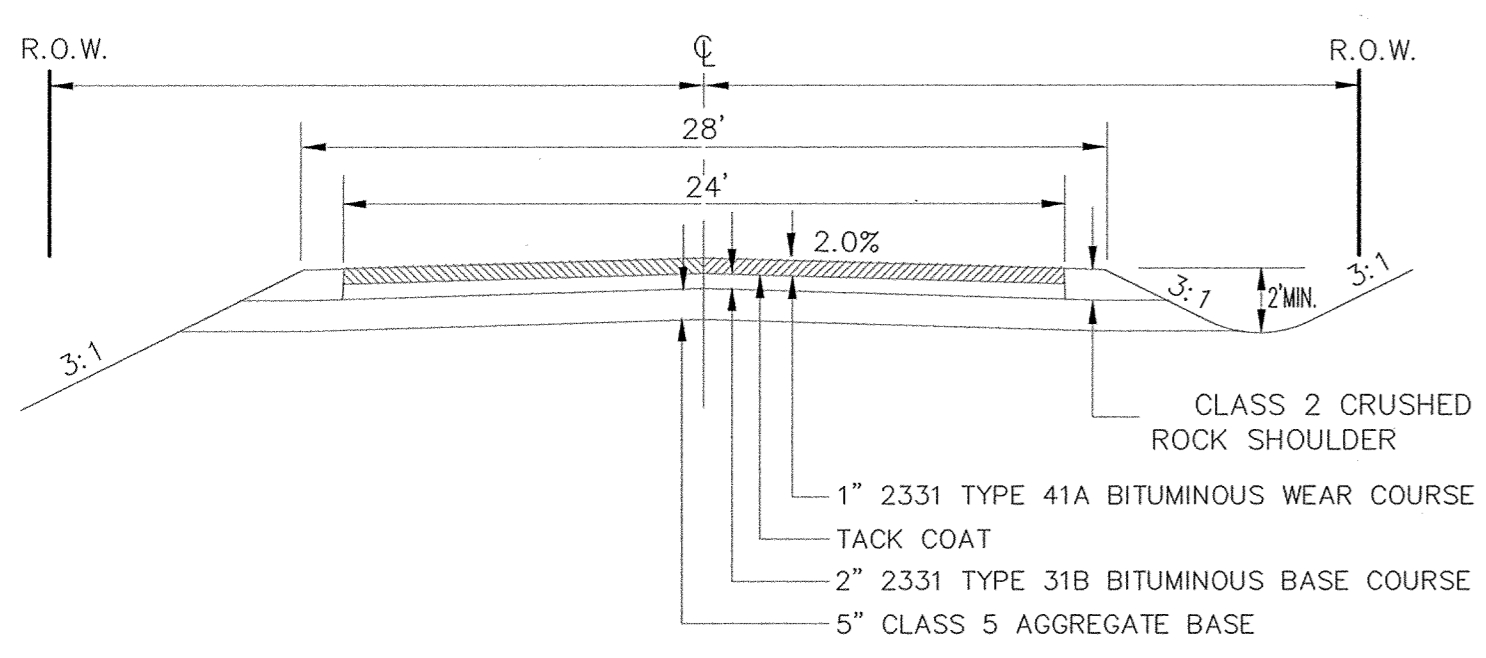
DRAWING NUMBER
WESTER 94
2



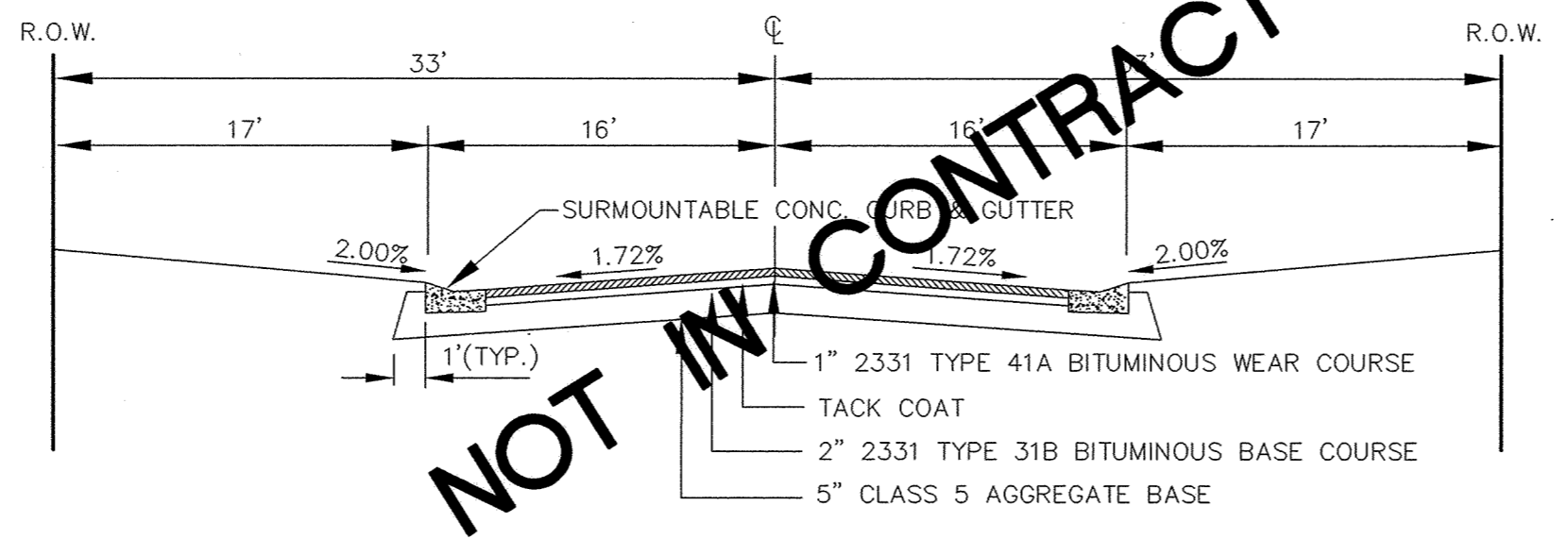
TYPICAL STREET SECTION
ORONO PARKWAY
STA. 47+98 TO 61+00



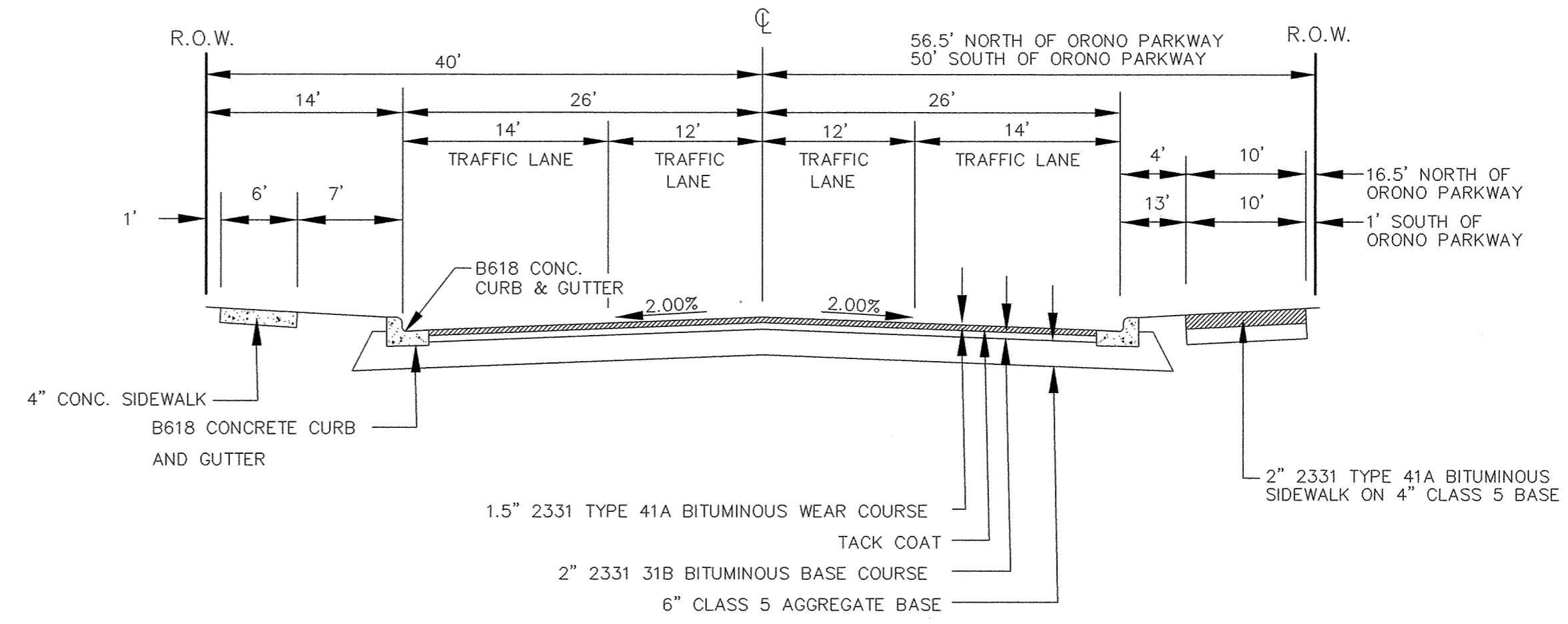
TYPICAL STREET SECTION
ORONO PARKWAY
STA. 63+25 TO 64+87



183RD AVENUE N.W.
SANDPIPER ESTATES



SANDPIPER ESTATES



JOPLIN STREET N.W.
FROM STA. 0+00 TO STA. 26+50

RECORD PLAN
JANUARY 1996

CITY OF ELK RIVER
INDEX SHEET AND STREET SECTIONS

I HEREBY CERTIFY THAT THIS PLAN, SPECIFICATION, OR REPORT WAS PREPARED BY ME OR UNDER MY DIRECT SUPERVISION AND THAT I AM A DULY REGISTERED PROFESSIONAL ENGINEER UNDER THE LAWS OF THE STATE OF MINNESOTA.
Walter V. Graham
DATE 9/21/94 REG. NO. 19135



1326 ENERGY PARK DRIVE
ST. PAUL, MINNESOTA 55108
(612) 644-4389
9800 SHELARD PARKWAY
MINNEAPOLIS, MINNESOTA 55441
(612) 546-0432

DATE	DESCRIPTION	DESIGNED	LCS
9-15-94	CHANGE ORDER NO. 1	CHECKED	
		DRAWN	LCS
		GRAPHIC SCALE	
		0 HORIZ. 400	
		0	VERT. 5

DATE AUG. 1994	SHEET 2R OF 63 SHEETS	PROJECT NO. 230-223
----------------	-----------------------	---------------------