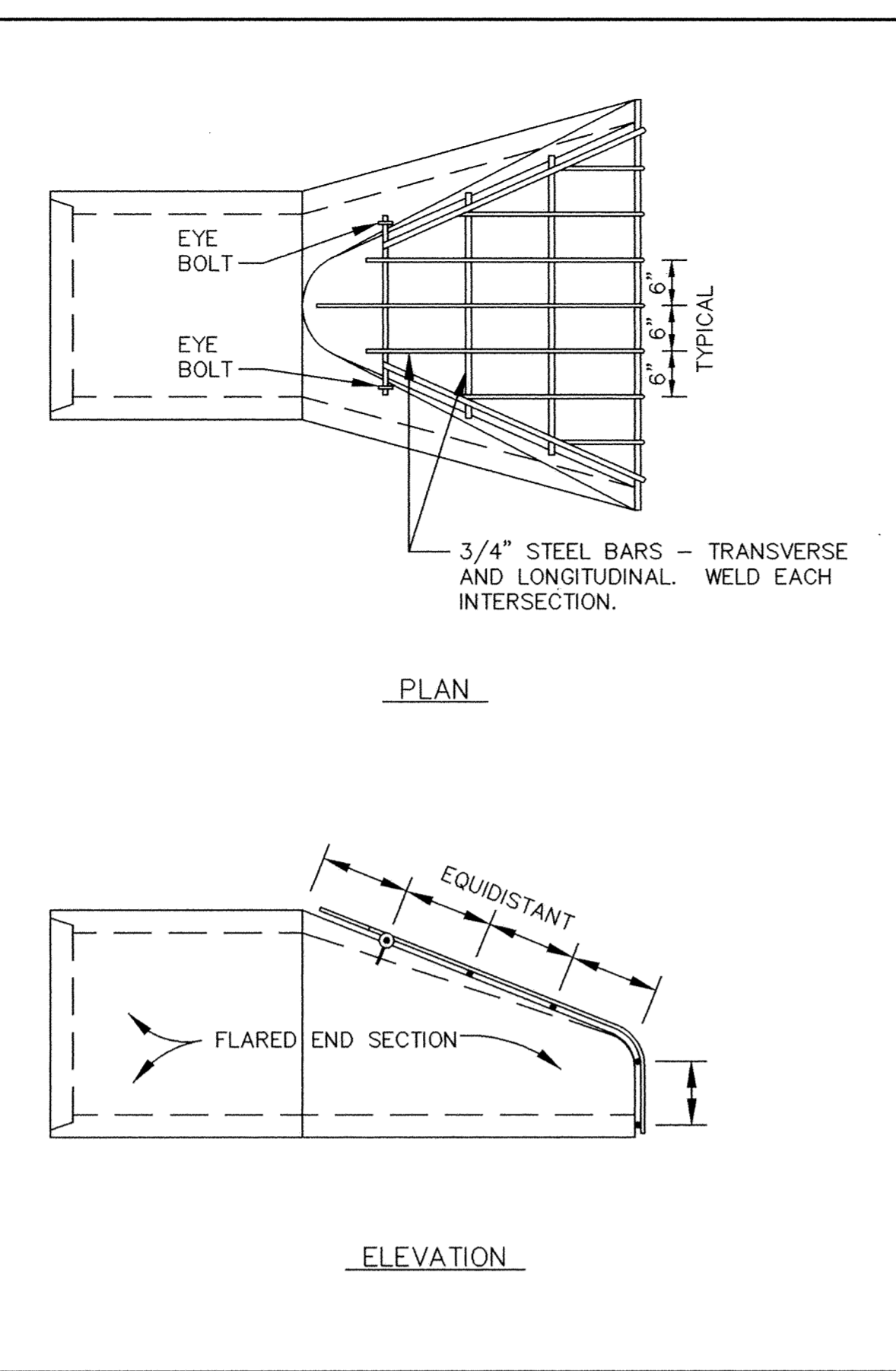
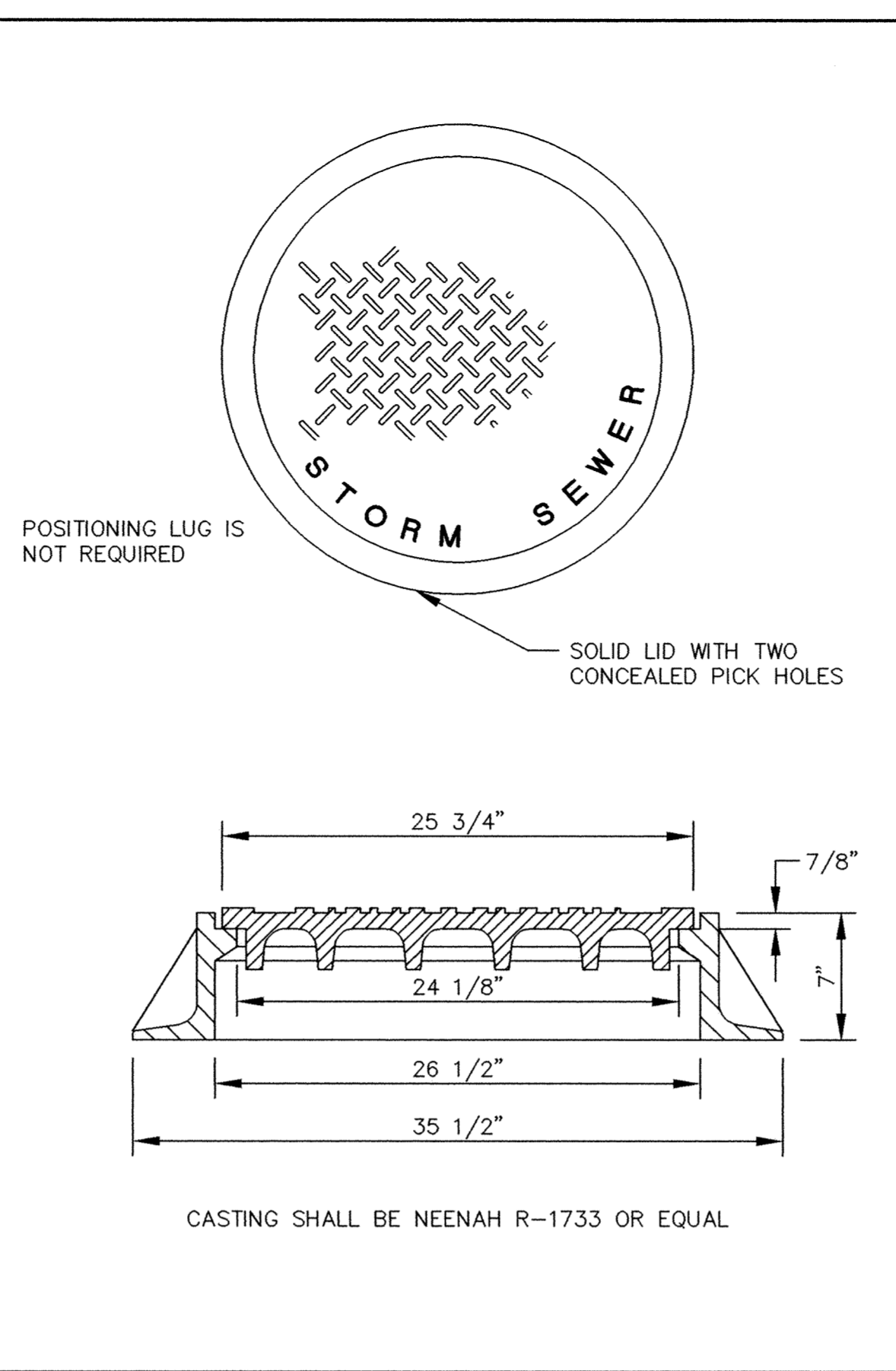


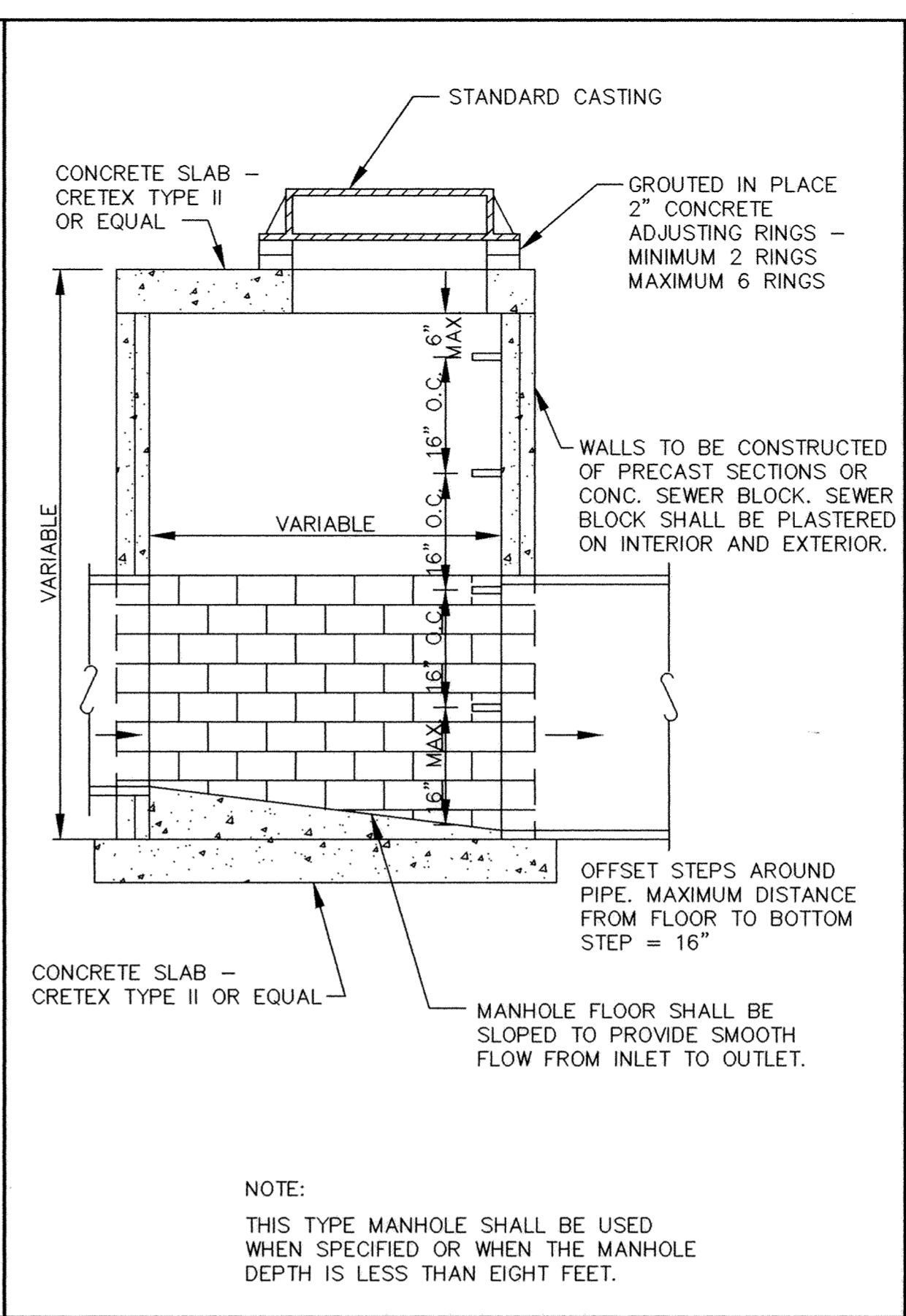
RIP-RAP INSTALLATION



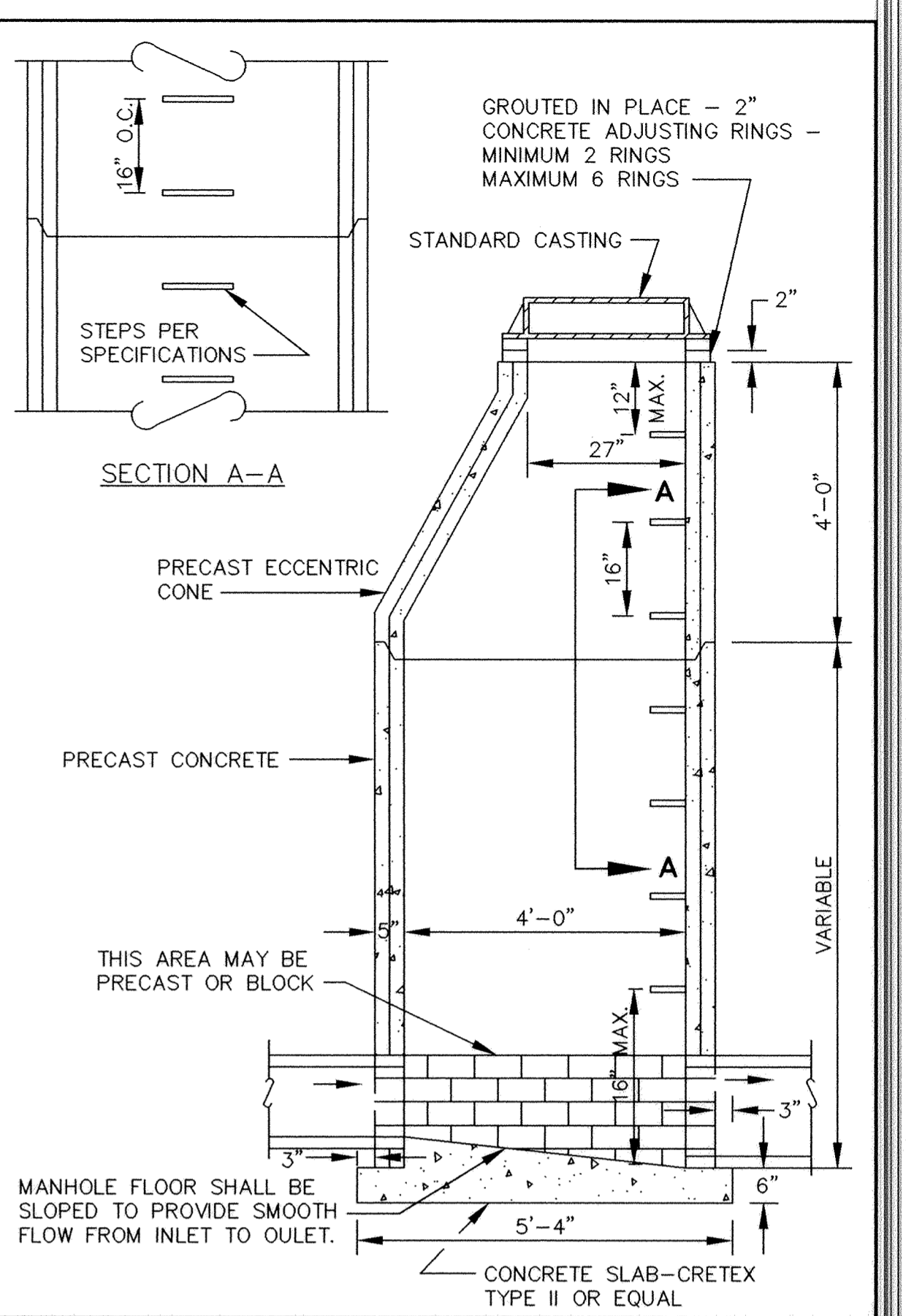
TRASH GUARD



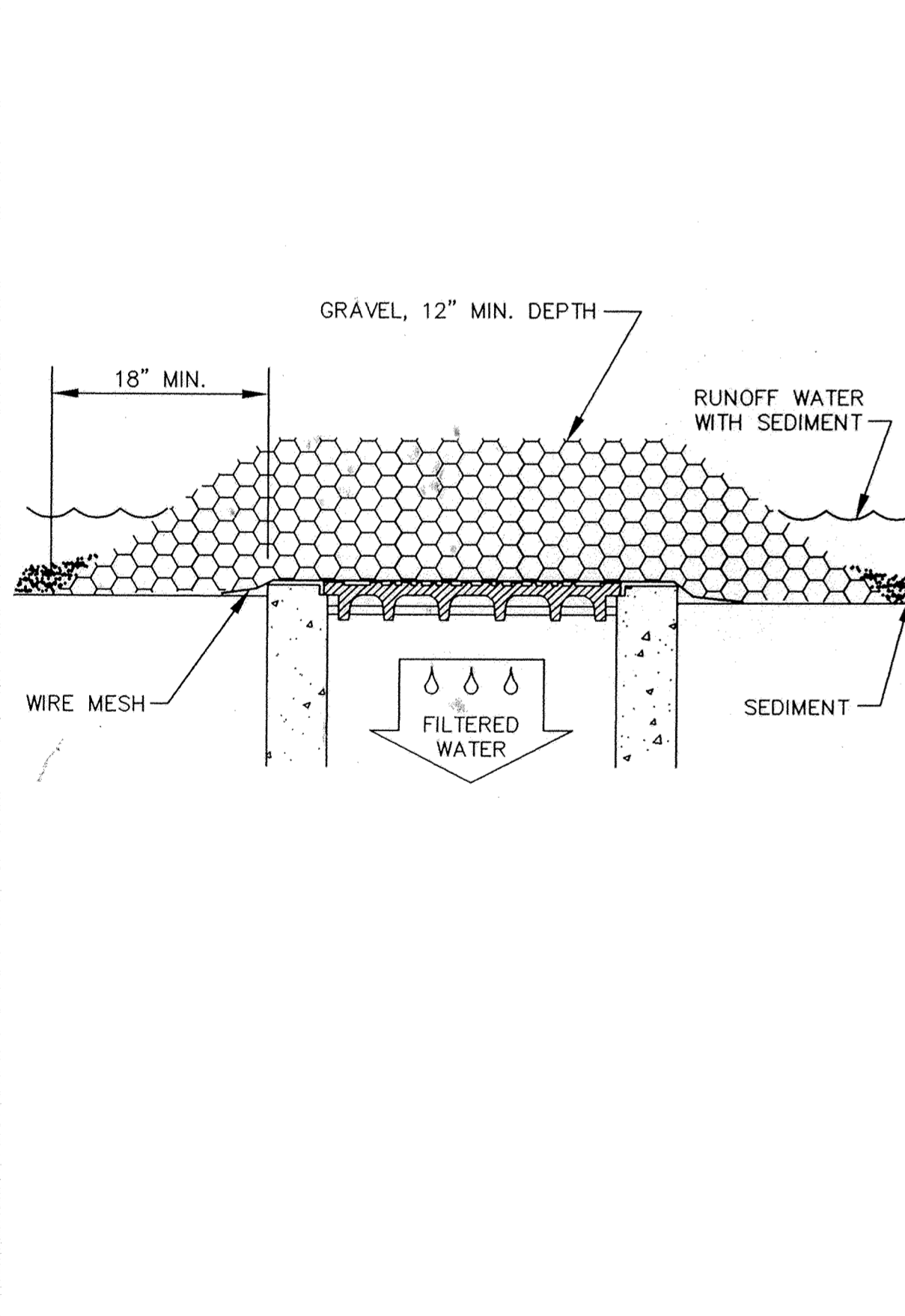
STANDARD MANHOLE CASTING



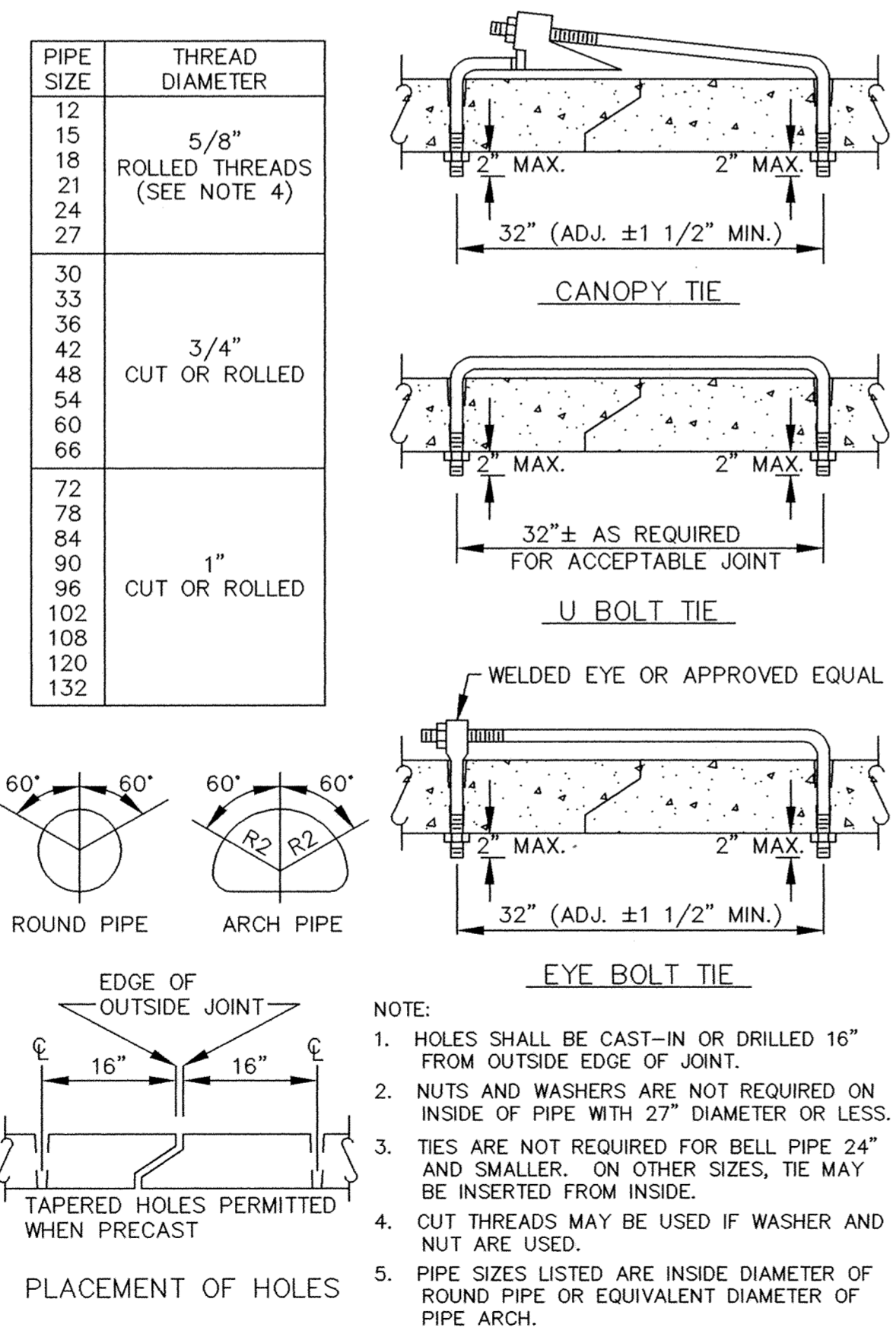
SLAB TOP MANHOLE



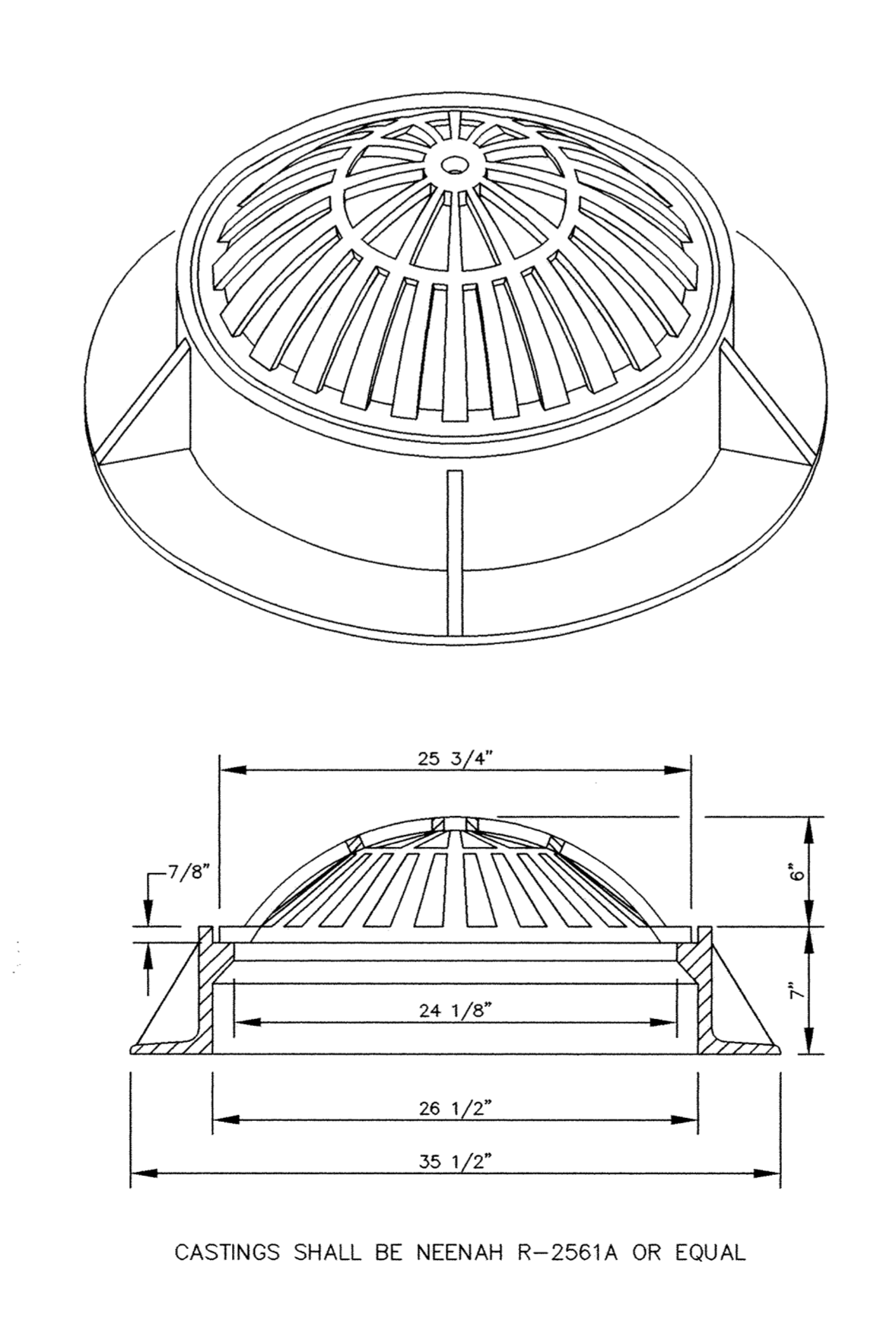
STANDARD MANHOLE



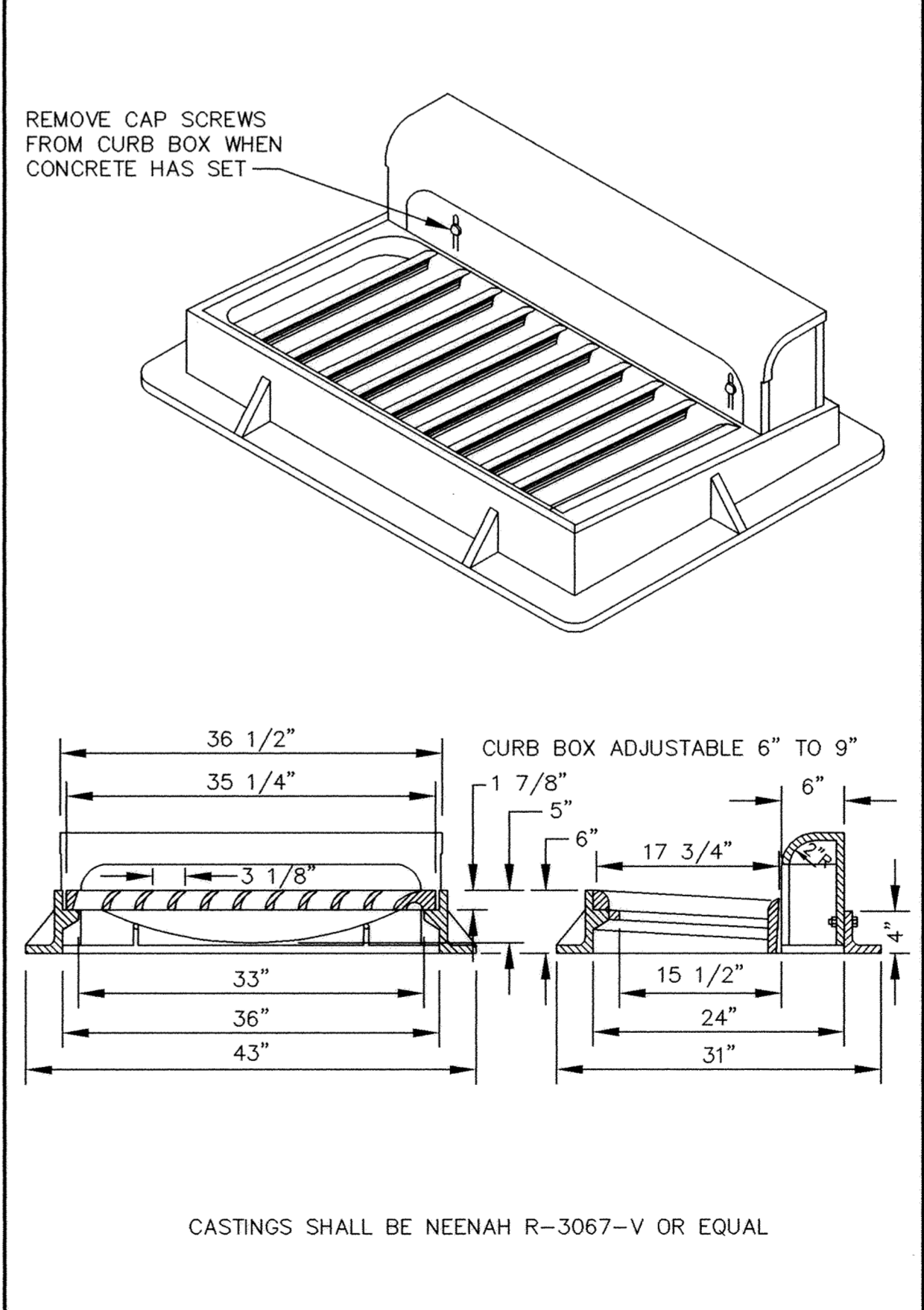
CATCH BASIN SEDIMENT BARRIER DURING CONSTRUCTION



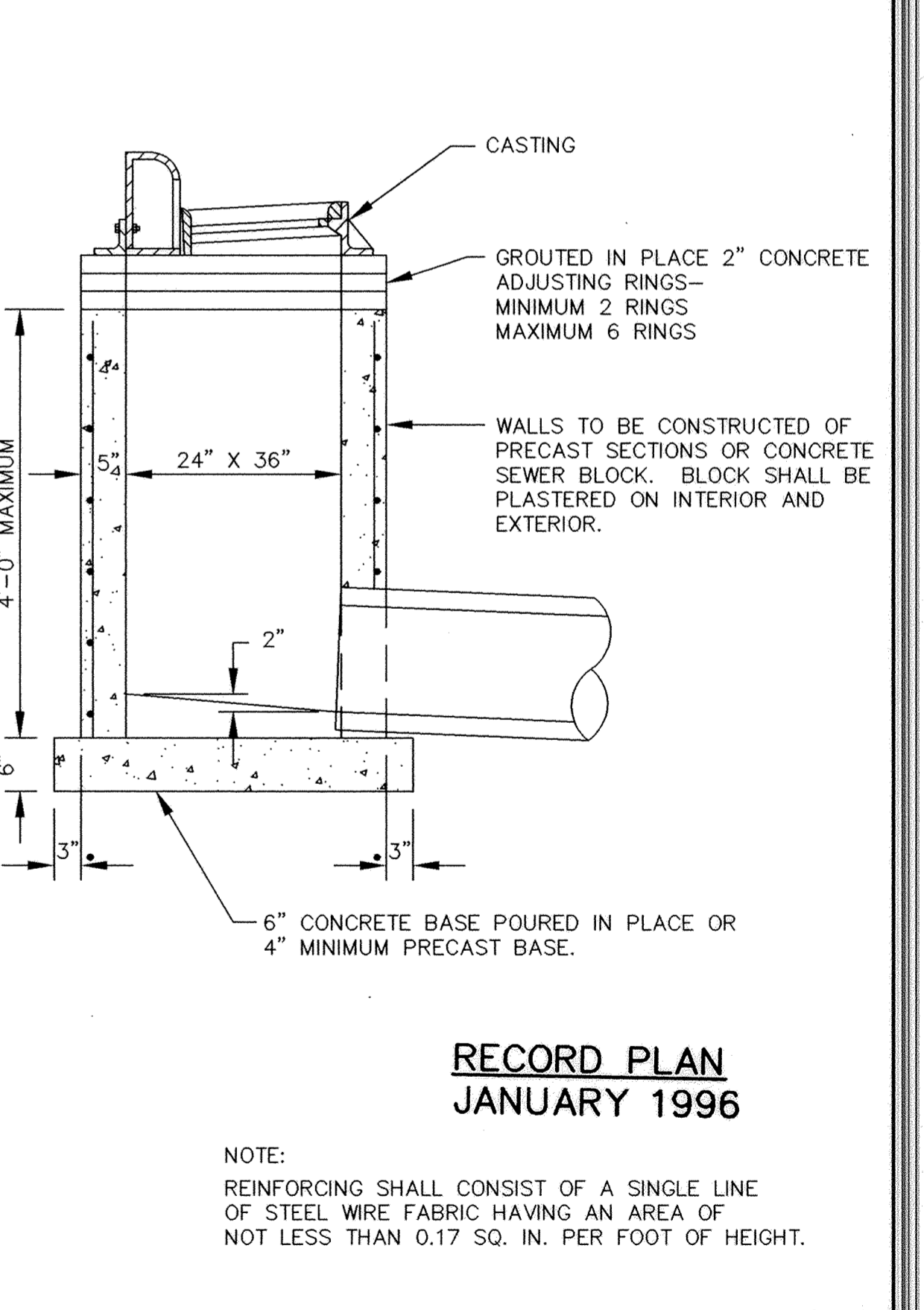
CONCRETE PIPE JOINT TIES



BEEHIVE CASTING



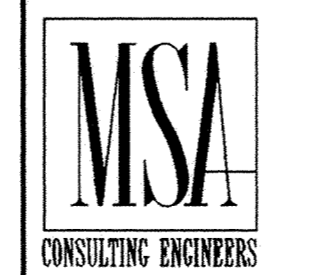
STANDARD INLET CASTING



SHALLOW CATCH BASIN

ER2230ST

I HEREBY CERTIFY THAT THIS PLAN, SPECIFICATION, OR REPORT WAS PREPARED BY ME OR UNDER MY DIRECT SUPERVISION AND THAT I AM A DULY REGISTERED PROFESSIONAL ENGINEER UNDER THE LAWS OF THE STATE OF MINNESOTA.
 DATE 8/15/94 REG. NO. 19130



1326 ENERGY PARK DRIVE
 ST. PAUL, MINNESOTA 55108
 (612) 644-4389
 9800 SHELARD PARKWAY
 MINNEAPOLIS, MINNESOTA 55441
 (612) 546-0432

DATE	DESCRIPTION	DESIGNED
		PPB
		CHECKED
		DRAWN
		GRAPHIC SCALE
		0 HORIZ. N/A
		0 VERT. 5

CITY OF ELK RIVER
 STORM SEWER DETAIL SHEET
 DATE AUG. 1994 SHEET 62 OF 63 SHEETS PROJECT NO. 230-223