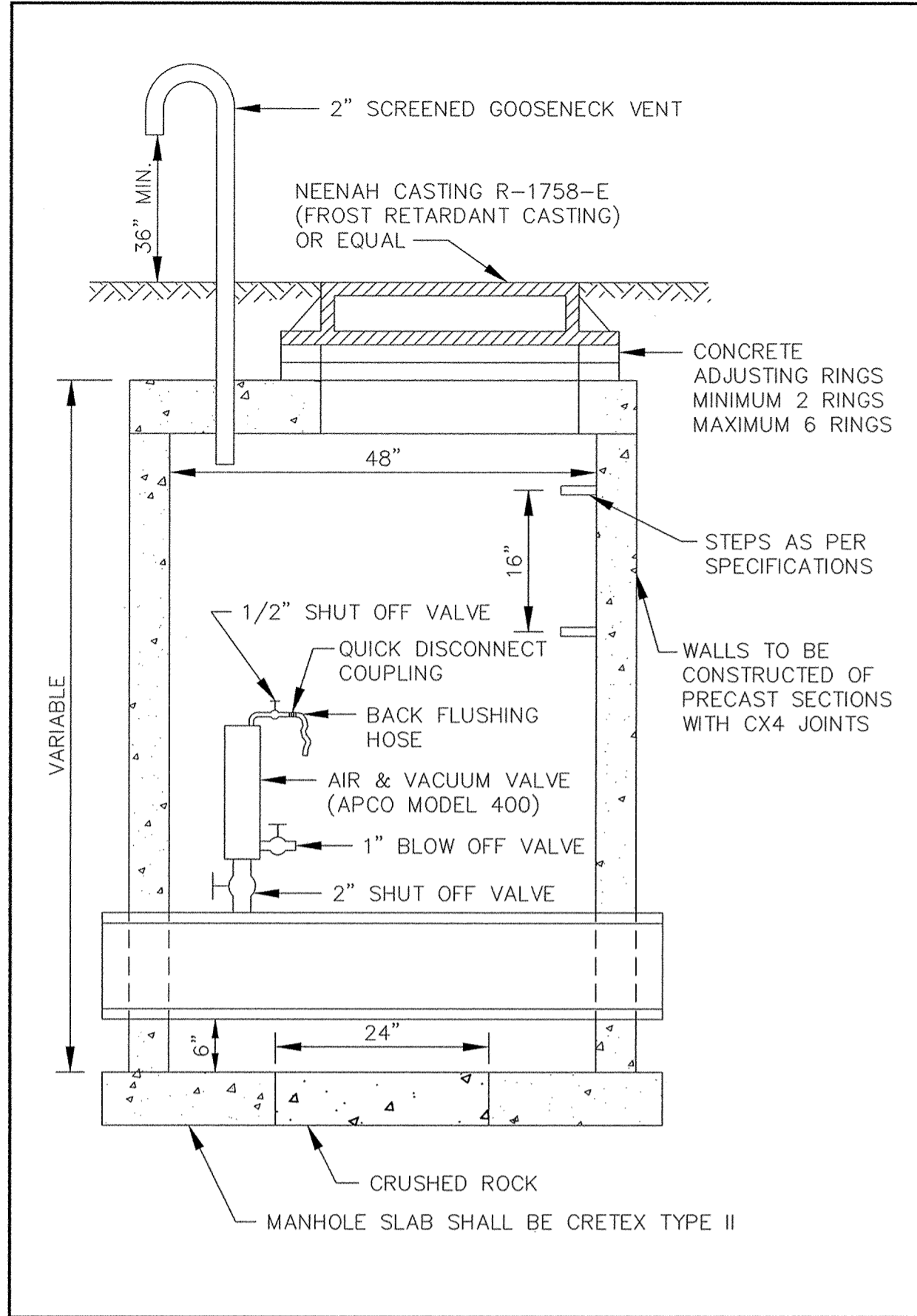
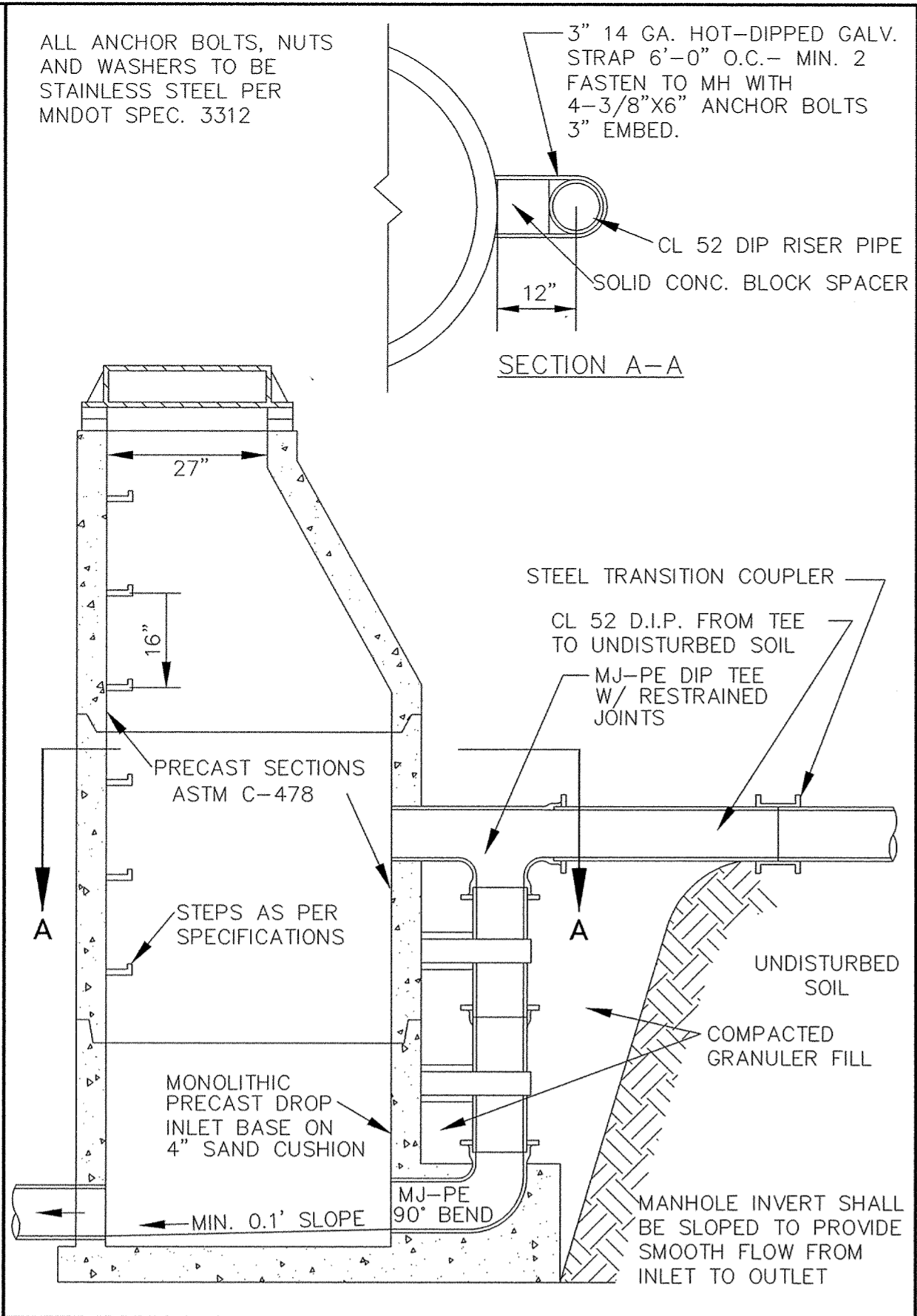


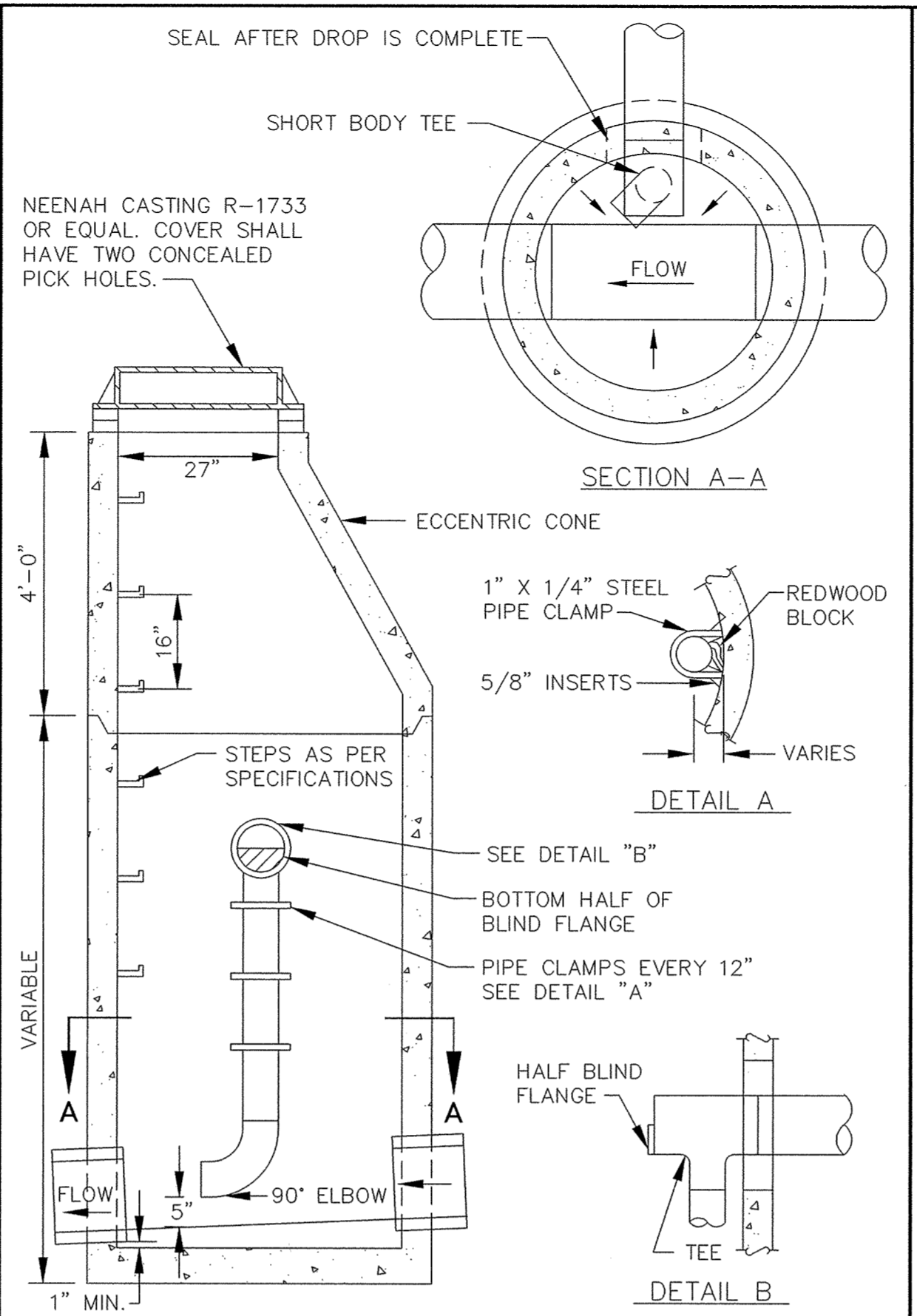
SACCO PRODUCTS • NEW HOPE, MINNESOTA
 REORDER BY PART NUMBER 5582
 SACCO PRODUCTS • NEW HOPE, MINNESOTA
 REORDER BY PART NUMBER 5582
 SACCO PRODUCTS • NEW HOPE, MINNESOTA
 REORDER BY PART NUMBER 5582
 SACCO PRODUCTS • NEW HOPE, MINNESOTA
 REORDER BY PART NUMBER 5582



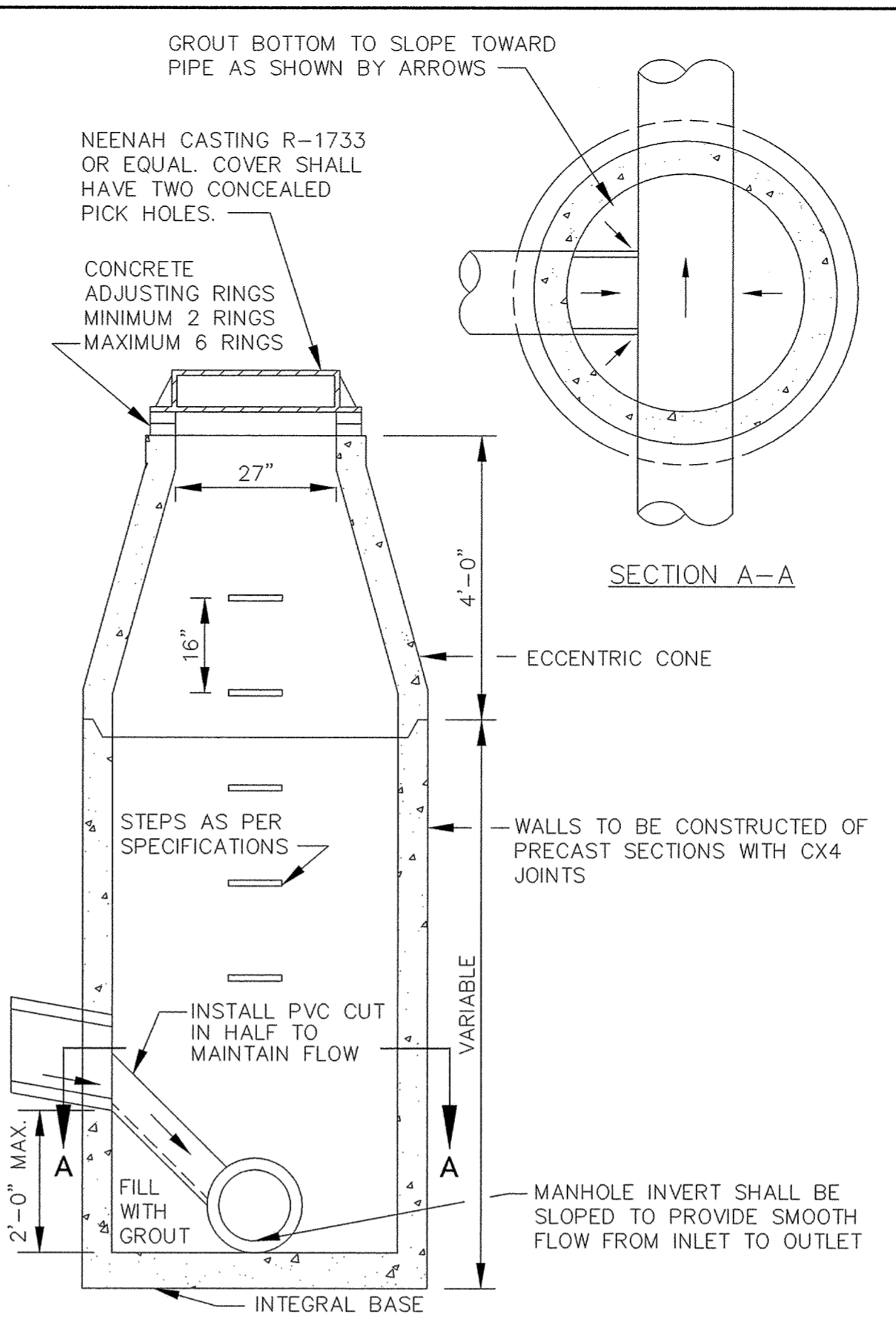
STANDARD AIR RELIEF MANHOLE



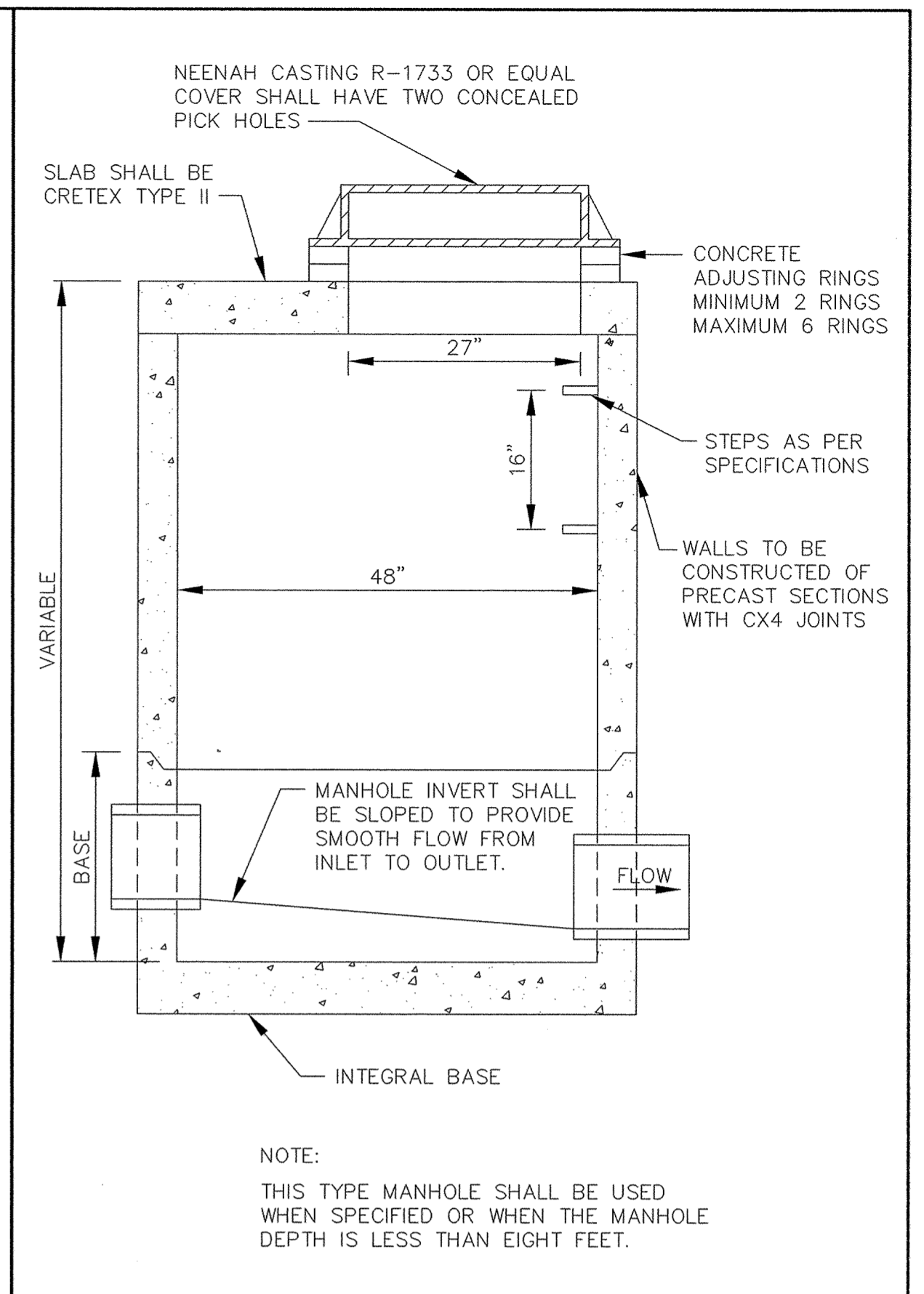
OUTSIDE DROP MANHOLE



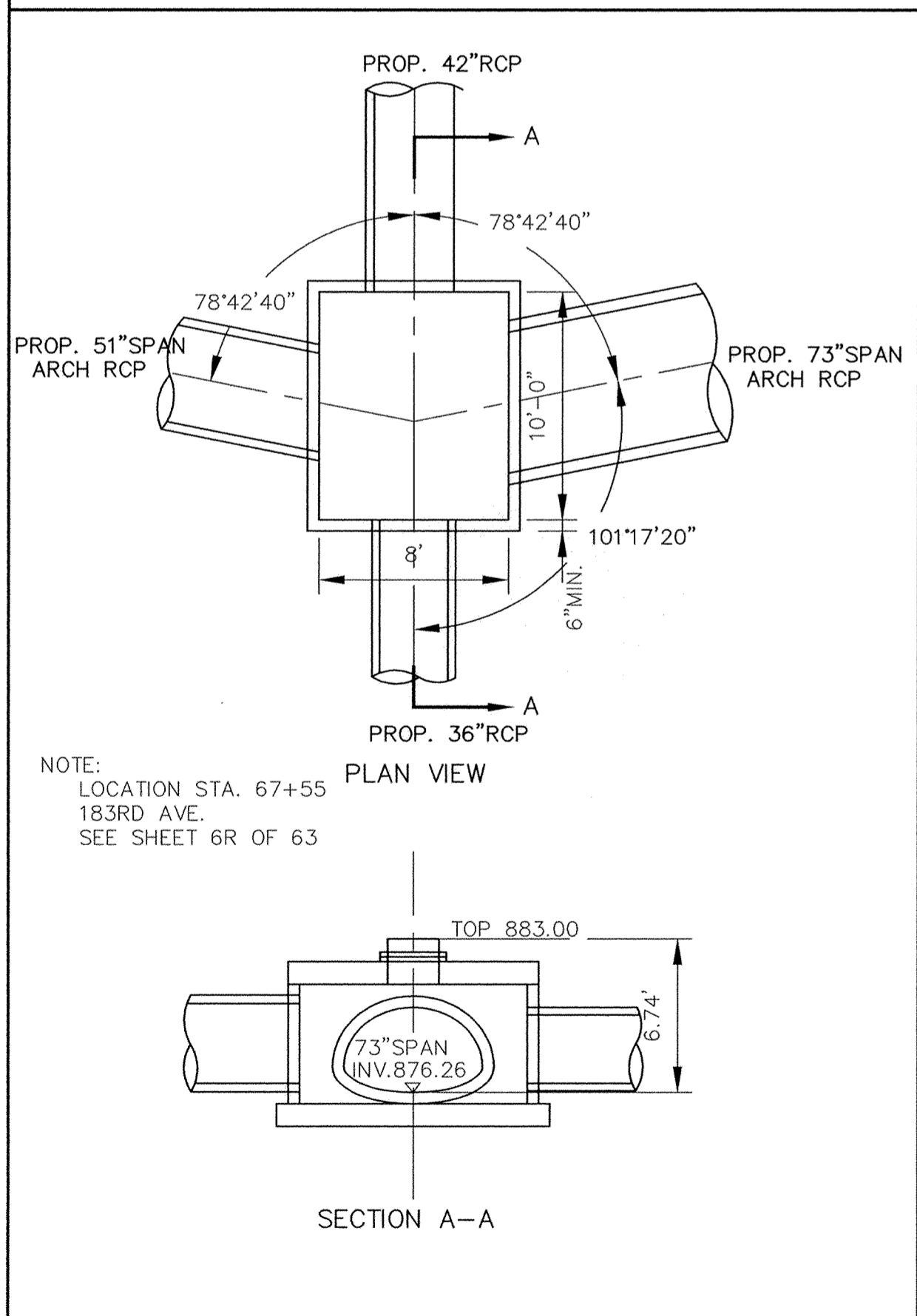
INSIDE DROP MANHOLE



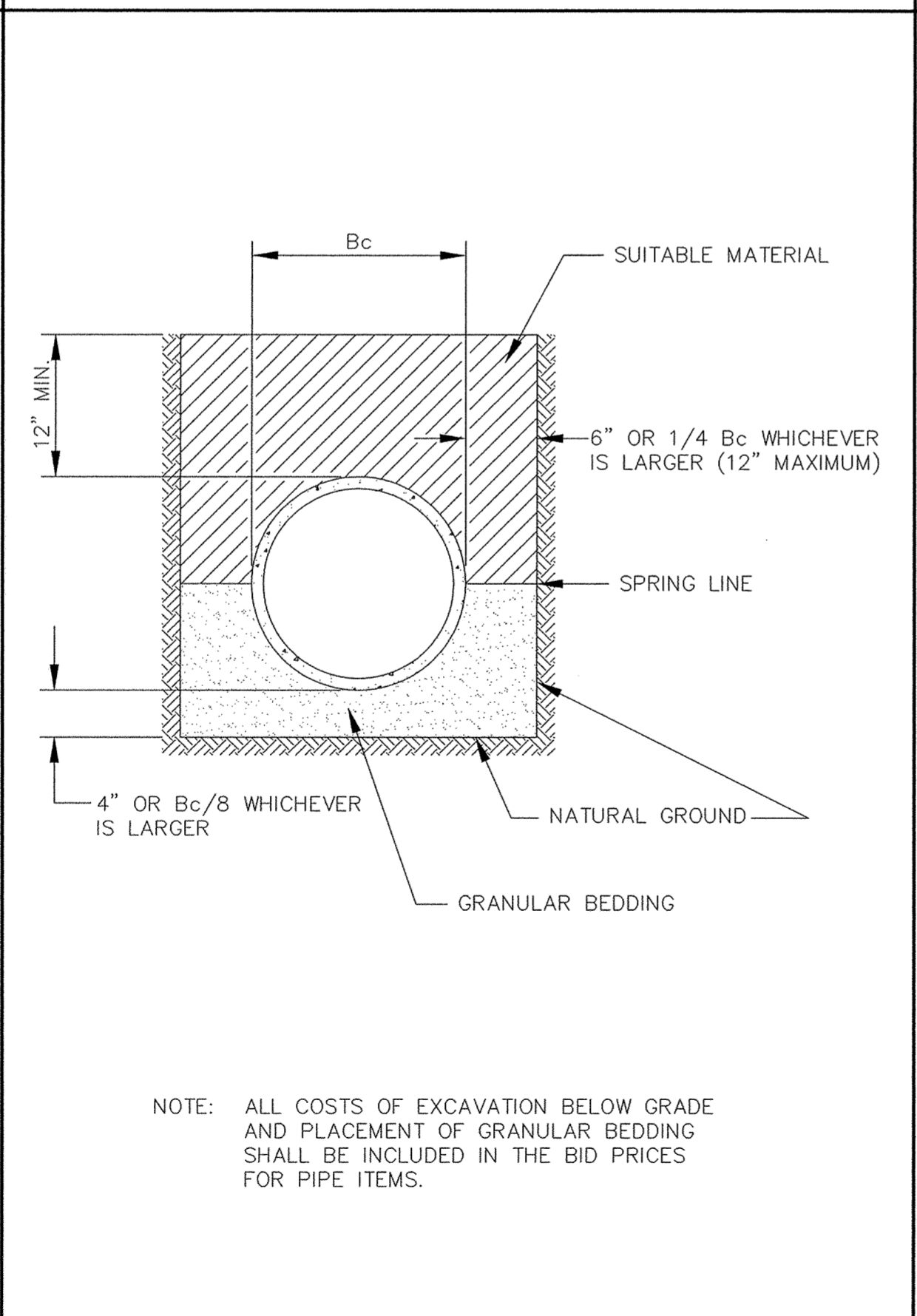
INSIDE DROP MANHOLE (TWO FEET OR LESS)



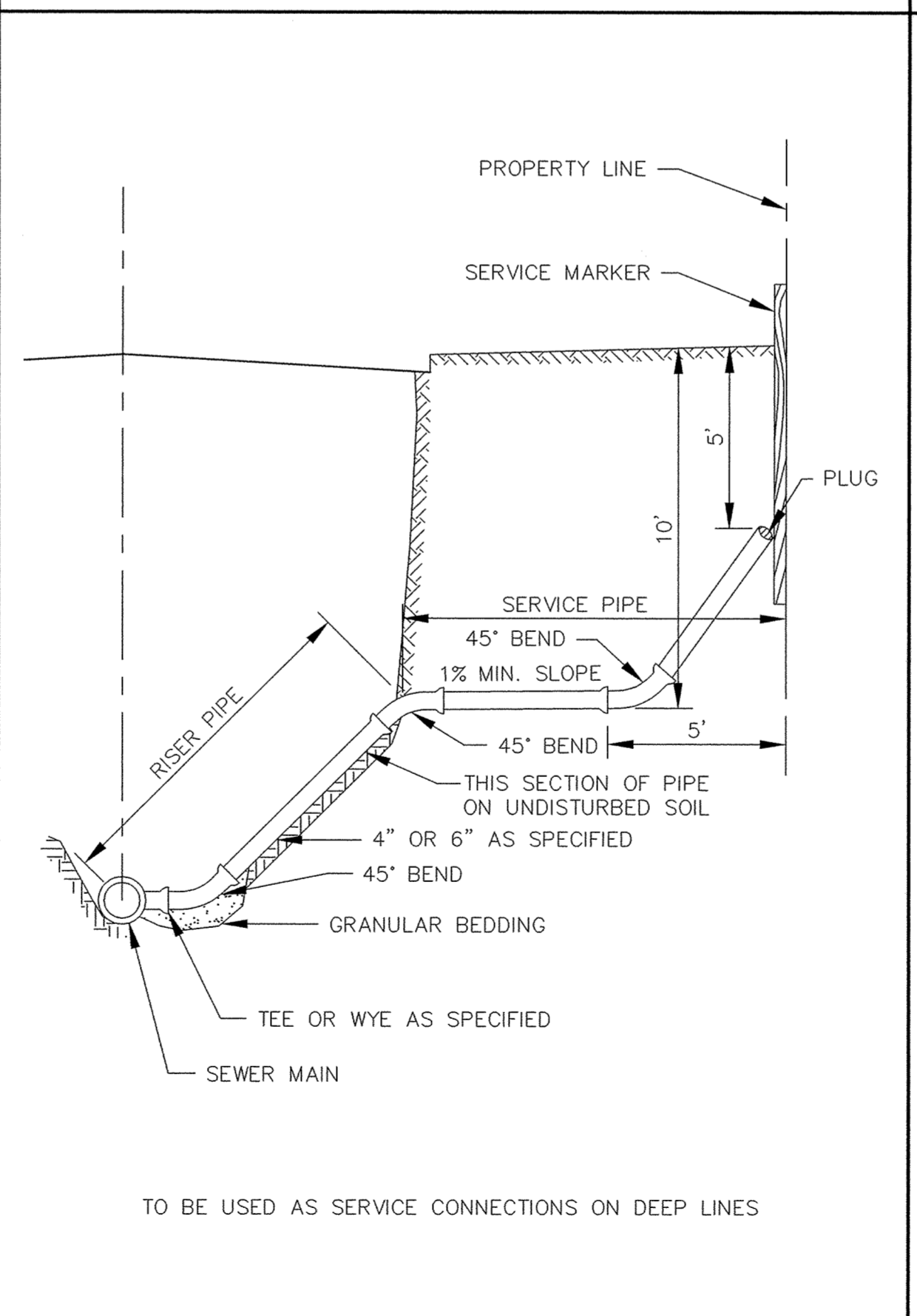
SLAB TOP MANHOLE



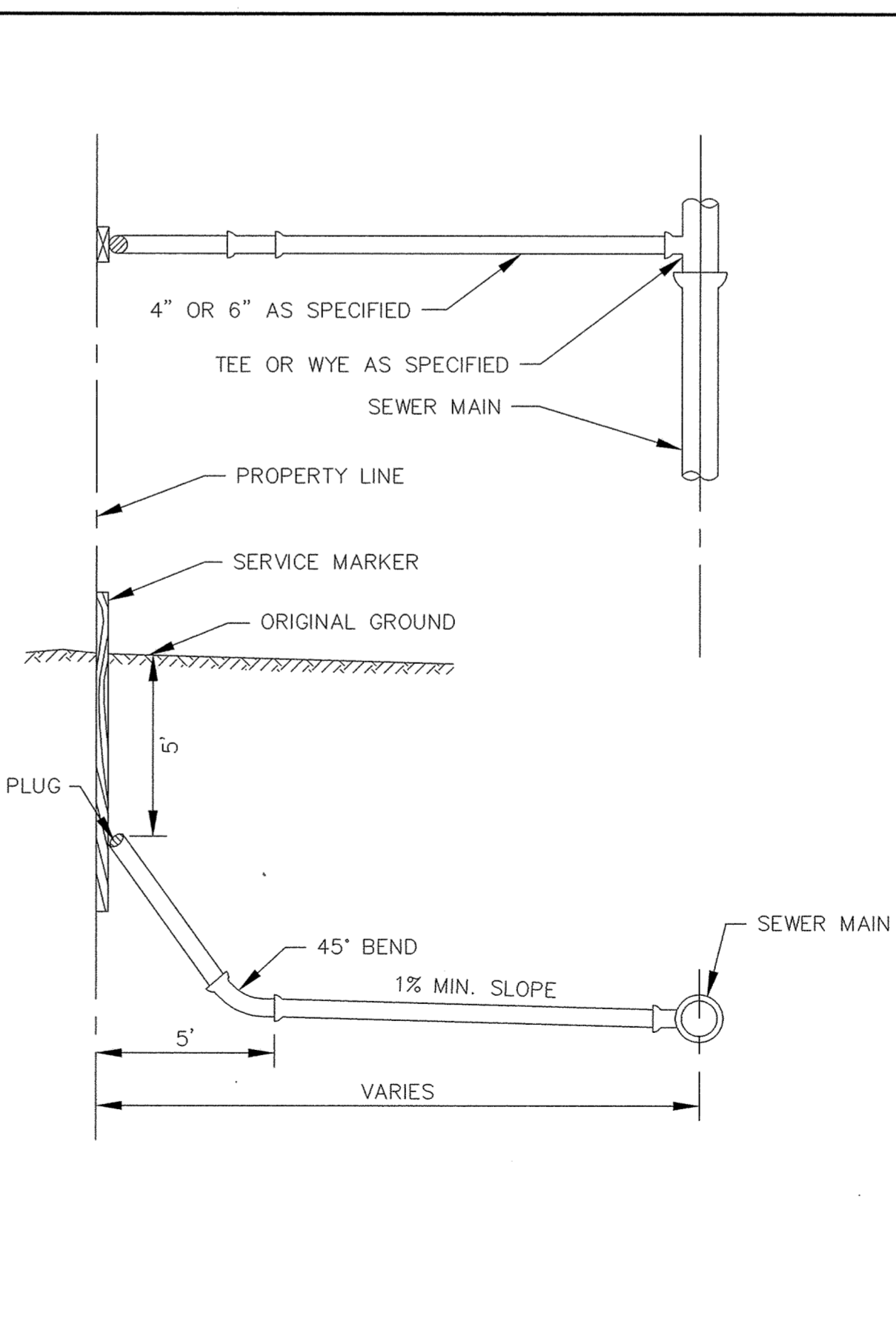
STORM MANHOLE 5



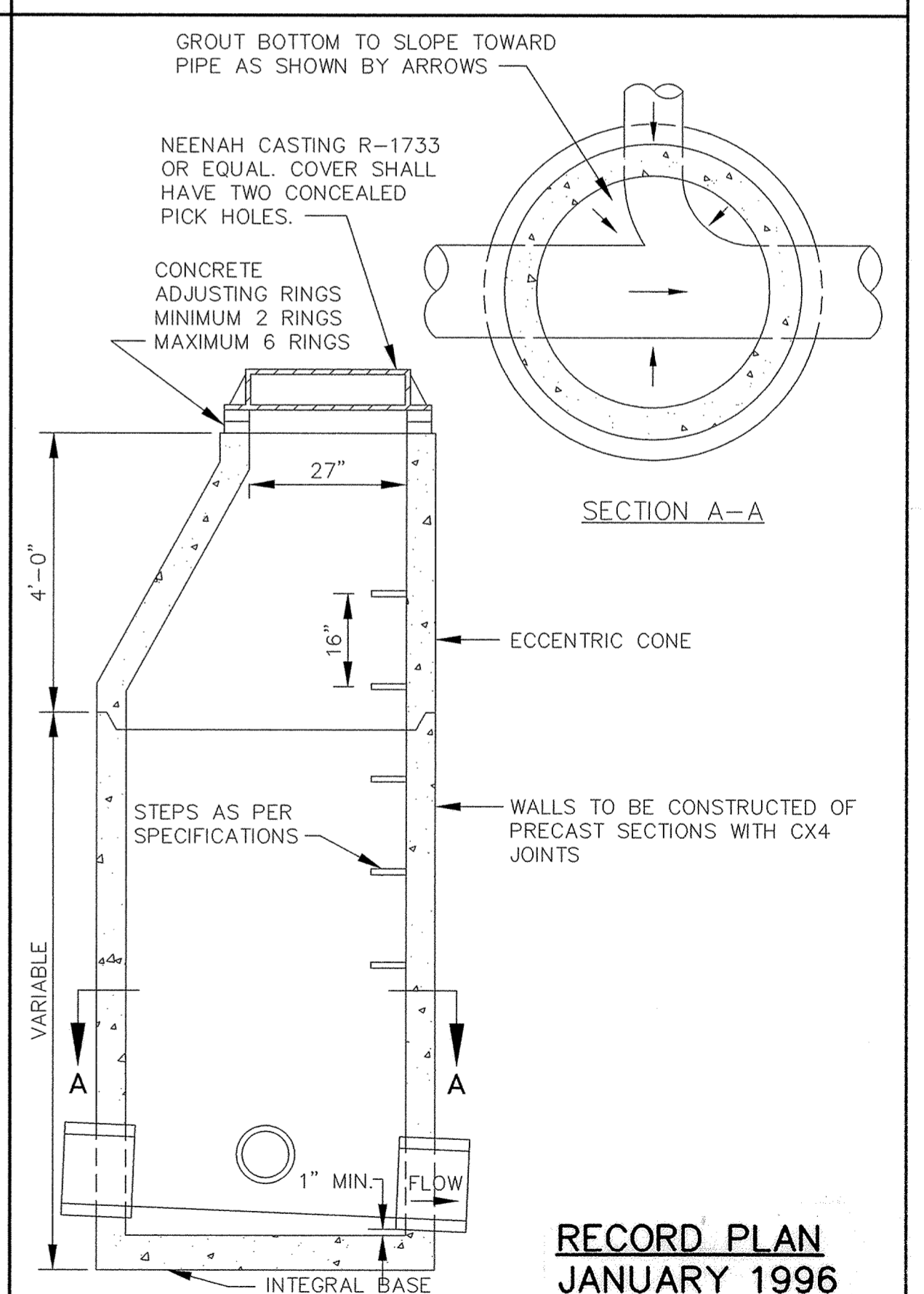
CLASS B PIPE BEDDING



SERVICE RISER SECTION



TYPICAL HOUSE SERVICE



STANDARD MANHOLE

RECORD PLAN
JANUARY 1996

ER2230-S

I HEREBY CERTIFY THAT THIS PLAN, SPECIFICATION, OR REPORT WAS PREPARED BY ME OR UNDER MY DIRECT SUPERVISION AND THAT I AM A DULY REGISTERED PROFESSIONAL ENGINEER UNDER THE LAWS OF THE STATE OF MINNESOTA.
M. V. Graham
 DATE 9/2/94 REG. NO. 19130

1326 ENERGY PARK DRIVE ST. PAUL, MINNESOTA 55108 (612) 644-4389	DATE 9-15-94	DESCRIPTION CHANGE ORDER NO. 1	DESIGNED M.J.G.
9800 SHELARD PARKWAY MINNEAPOLIS, MINNESOTA 55441 (612) 546-0432	CHECKED		
	DRAWN LCS		
	GRAPHIC SCALE		
	0 HORIZ. N/A		
	0 VERT. 5		

CITY OF ELK RIVER
SANITARY SEWER DETAIL SHEET

DATE AUG. 1994 SHEET 61R OF 63 SHEETS PROJECT NO. 230-223