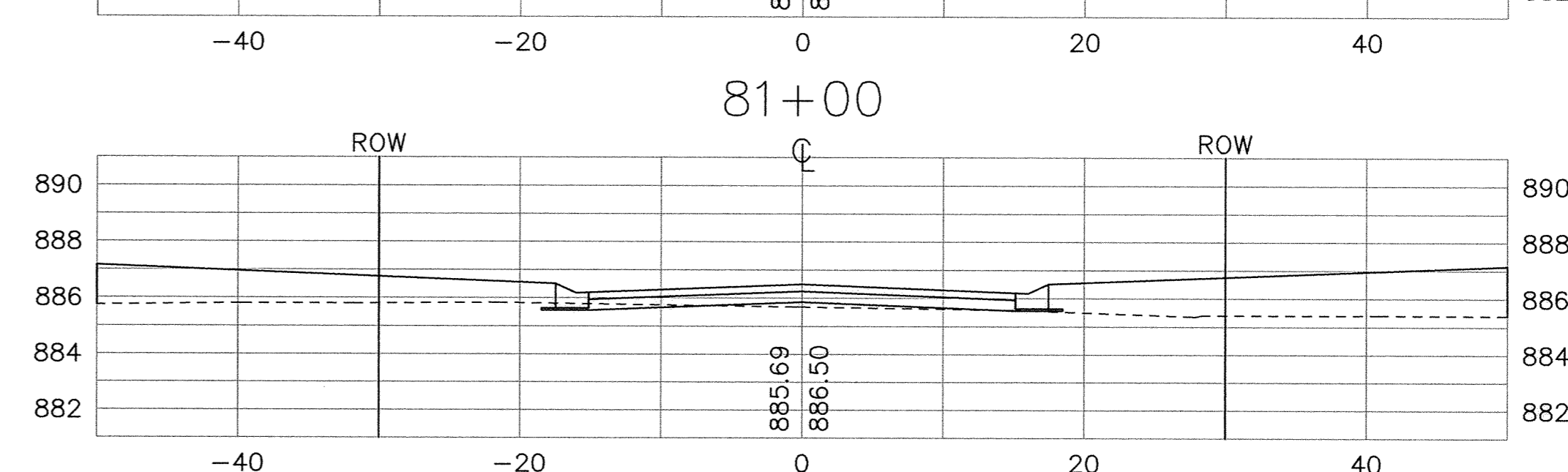
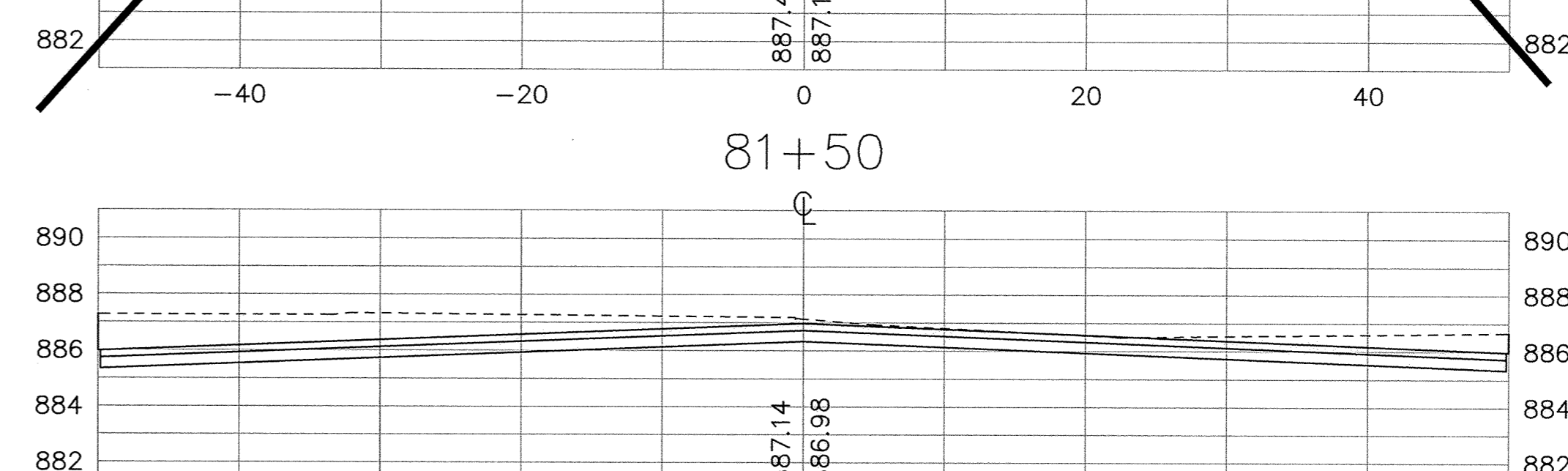
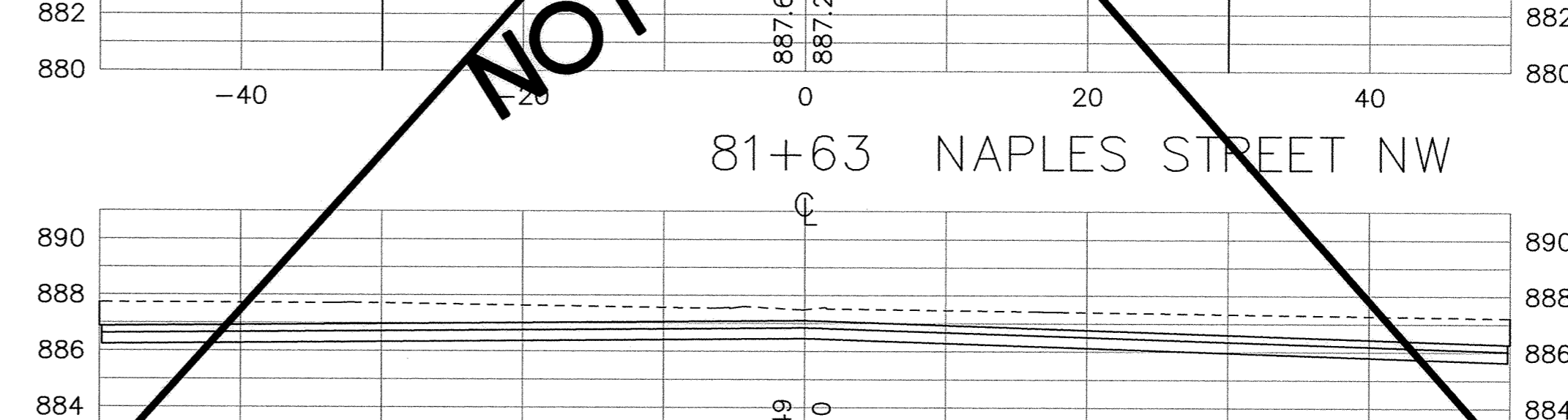
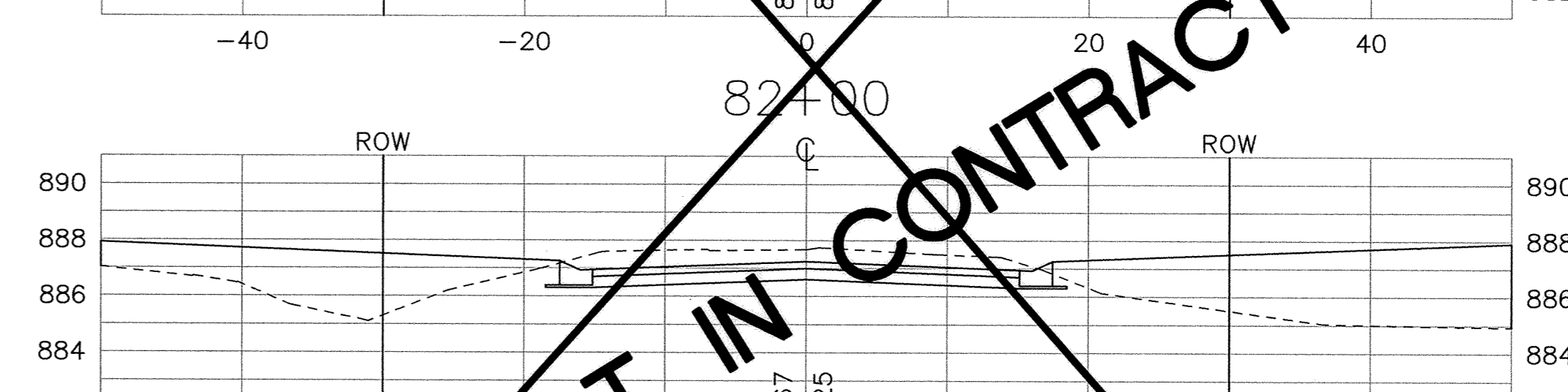
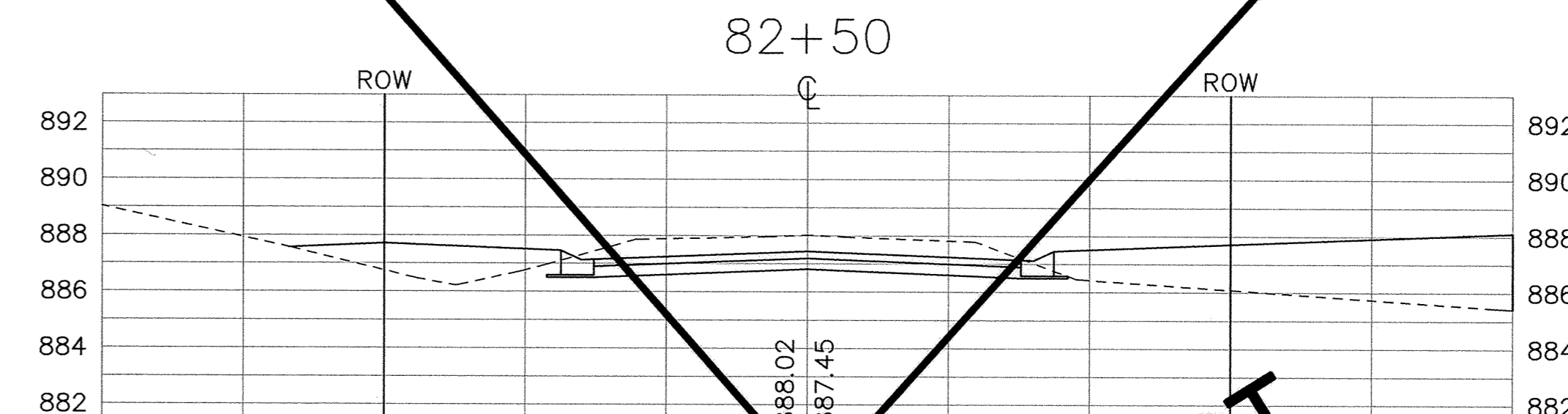
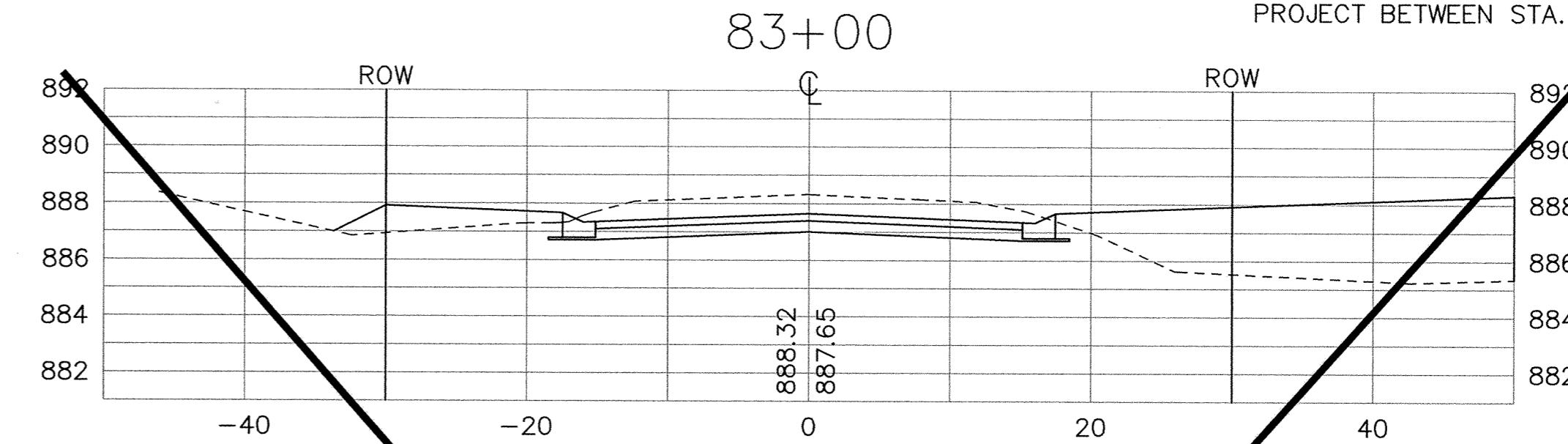
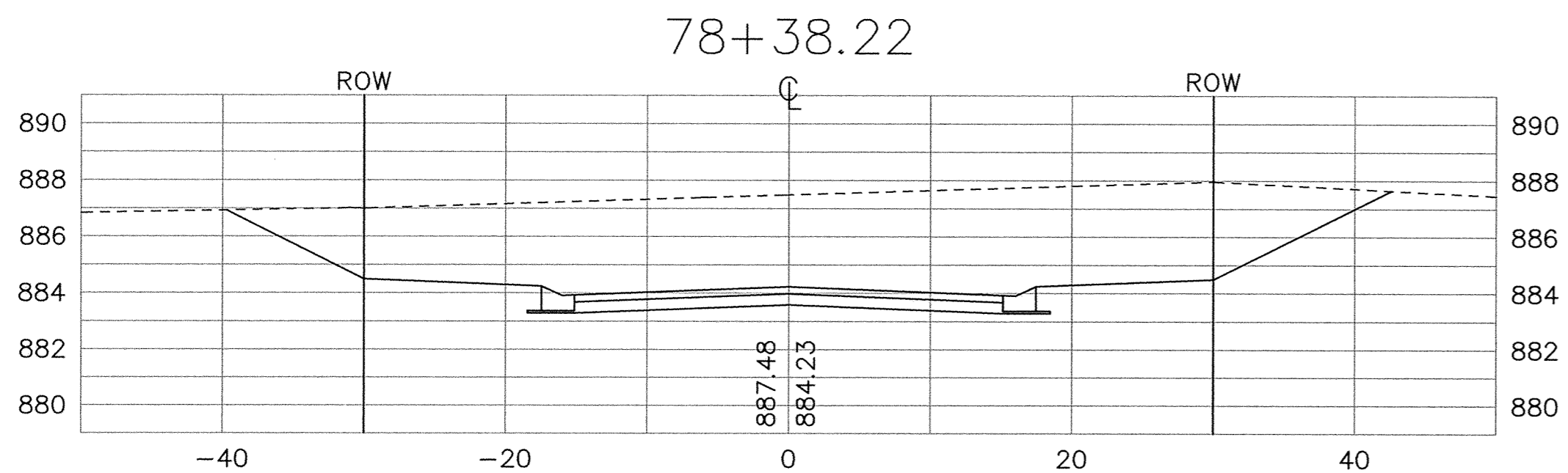
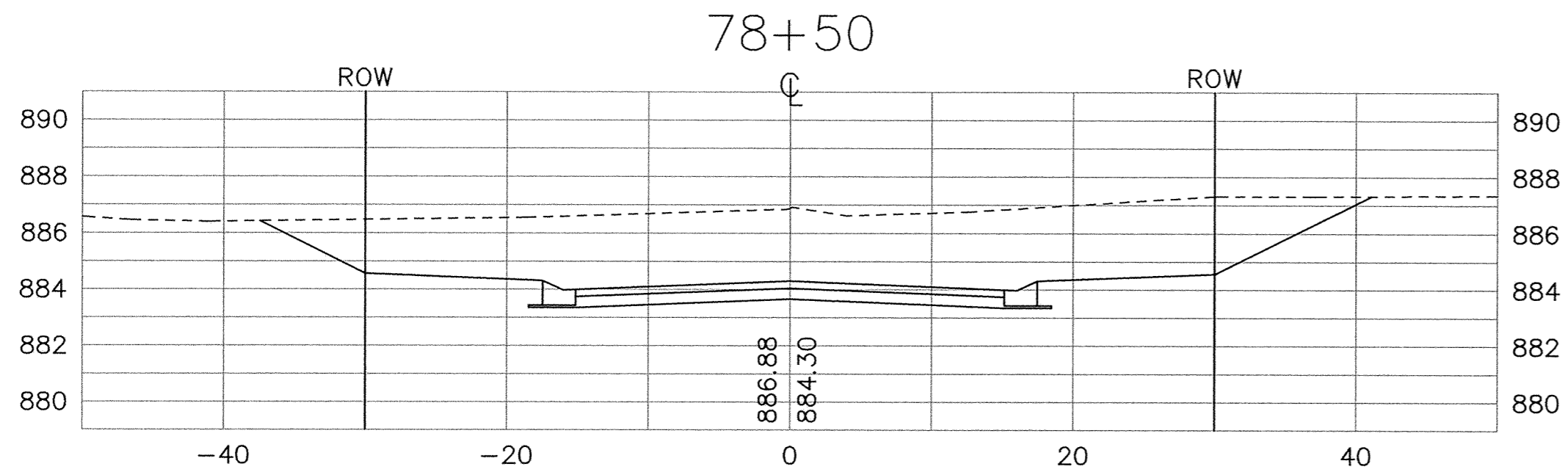
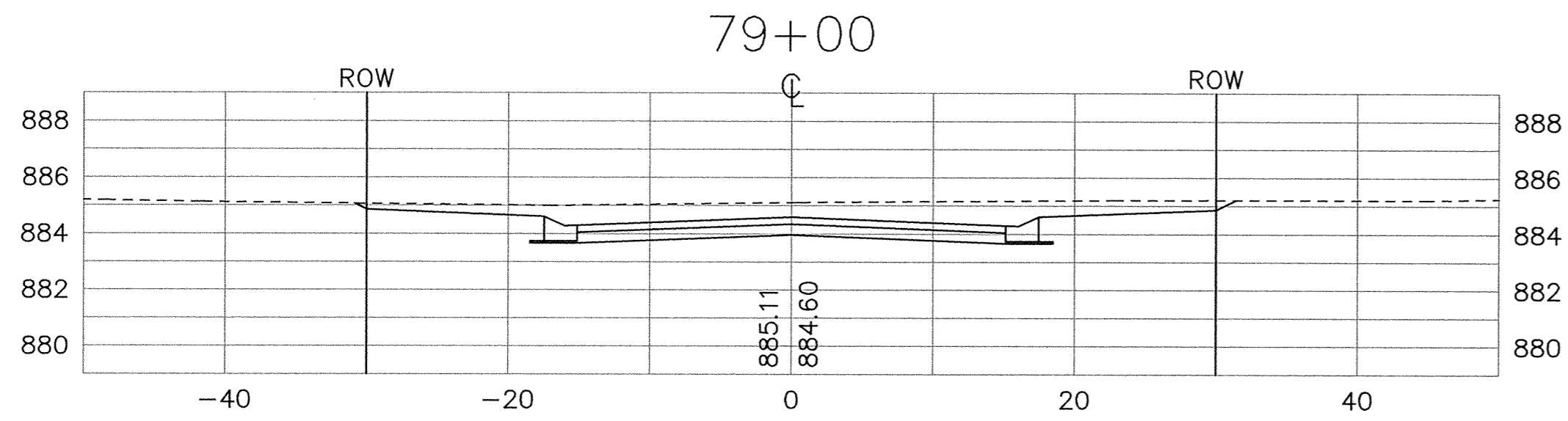
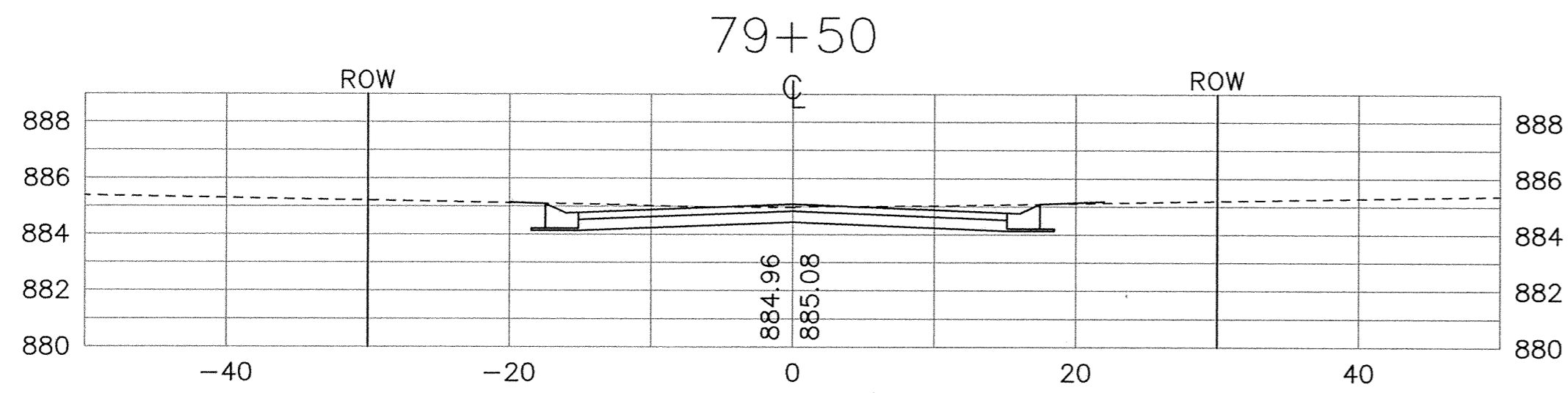
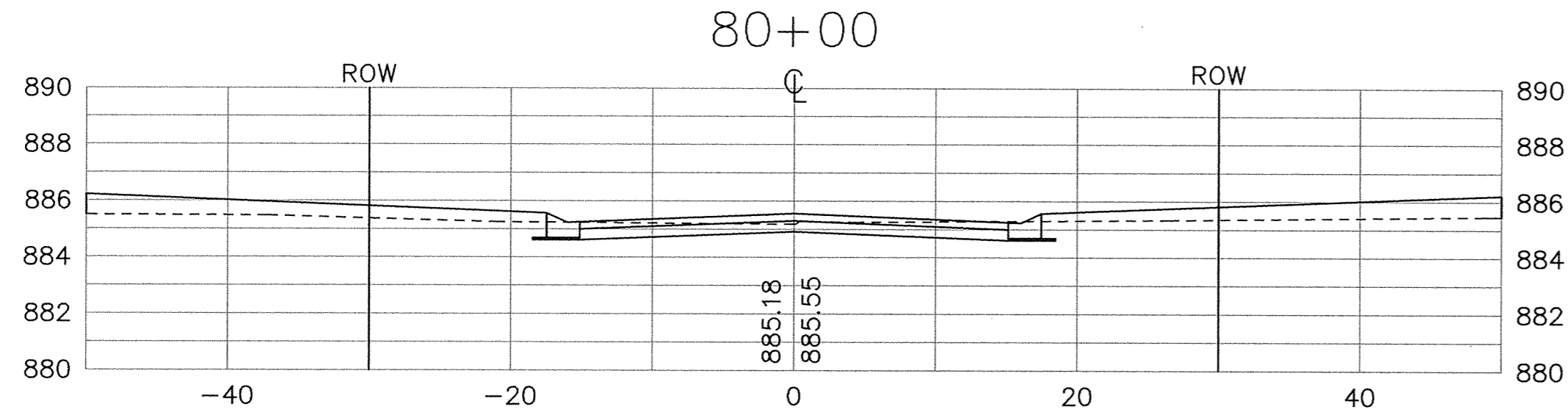
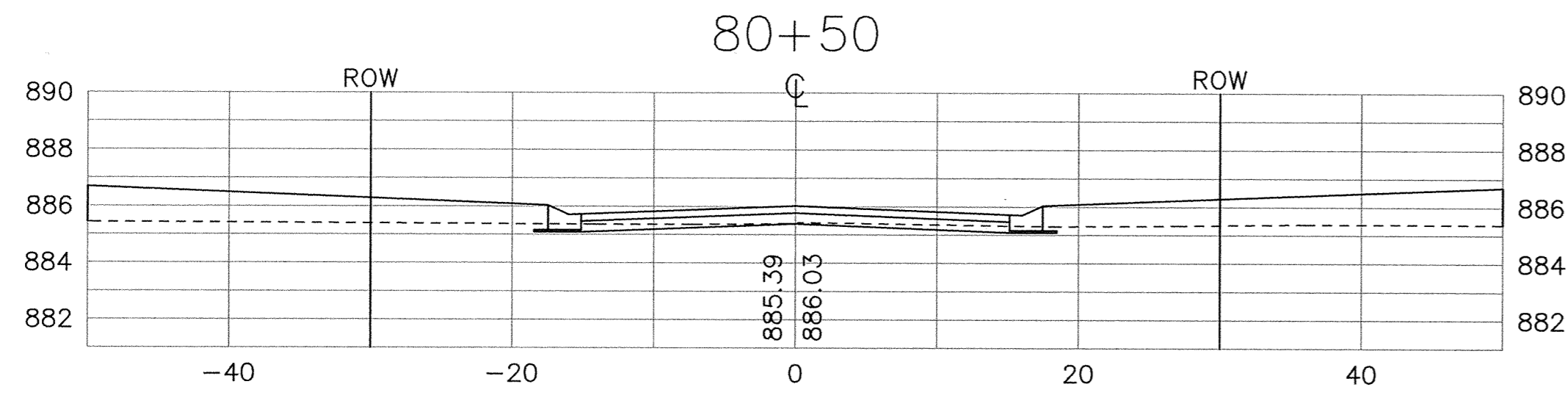


NOTE:
NO STREET IMPROVEMENTS ARE INCLUDED IN THIS
PROJECT BETWEEN STA. 65+94 AND 81+50



NOT IN CONTRACT

RECORD PLAN
JANUARY 1996

I HEREBY CERTIFY THAT THIS PLAN, SPECIFICATION,
OR REPORT WAS PREPARED BY ME OR UNDER MY DIRECT
SUPERVISION AND THAT I AM A DULY REGISTERED
PROFESSIONAL ENGINEER UNDER THE LAWS OF THE
STATE OF MINNESOTA.
Maud V. Graham
DATE 9/21/94 REG. NO. 19130



1326 ENERGY PARK DRIVE
ST. PAUL, MINNESOTA 55108
(612) 644-4389

9800 SHELARD PARKWAY
MINNEAPOLIS, MINNESOTA 55441
(612) 546-0432

DATE	DESCRIPTION	DESIGNED	MJG
9-15-94	NOTES ON X-SECTIONS	CHECKED	
		DRAWN	LCS
REVISIONS		GRAPHIC SCALE	
		0 10	
		0 5	
		VERT. 5	

CITY OF ELK RIVER		78+38.22 TO 83+00	
183RD AVENUE NW			
CROSS SECTIONS			
DATE	AUG 1994	SHEET	44R OF 63 SHEETS
PROJECT NO.		230-223	